

PART-TURN ACTUATOR, FOR POSITION SWITCH 3SE52,  
ADJUSTABLE, WITHOUT LEVER



<b>Product designation</b>	Semi-rotary actuator for position switch
<b>Manufacturer's article number</b>	
<ul style="list-style-type: none"> <li>of the supplied actuator head for position switches</li> </ul>	<a href="#">3SE5000-0AK00</a>
<b>General technical data</b>	
<b>Shock resistance</b>	
<ul style="list-style-type: none"> <li>acc. to IEC 60068-2-27</li> </ul>	30 g / 11 ms
<b>Vibration resistance</b>	
<ul style="list-style-type: none"> <li>acc. to IEC 60068-2-6</li> </ul>	0.35 mm/5g
<b>Equipment marking</b>	
<ul style="list-style-type: none"> <li>acc. to DIN EN 61346-2</li> <li>acc. to DIN EN 81346-2</li> </ul>	T T
<b>Active principle</b>	mechanical
<b>Minimum actuating torque in activation direction</b>	0.25 N·m
<b>Enclosure</b>	
<b>Coating of the enclosure</b>	Other types
<b>Drive Head</b>	
<b>Design of the operating mechanism</b>	Twist actuator, without lever or rod

## Communication/ Protocol

**Design of the interface** without

## Ambient conditions

### Ambient temperature





- during operation -25 ... +85 °C
- during storage -40 ... +90 °C

## Installation/ mounting/ dimensions

**Mounting position** any

**Mounting type** lockable plug-in fixing

## Certificates/approvals

General Product Approval	Declaration of Conformity	Test Certificates	other		
 CSA	 UR		 EG-Konf.	<a href="#">spezielle Prüfbescheinigung</a> <a href="#">n</a>	<a href="#">Bestätigungen</a>

### other

[Schwingen / Schocken](#)

## Further information

### Information- and Downloadcenter (Catalogs, Brochures,...)

<http://www.siemens.com/industrial-controls/catalogs>

### Industry Mall (Online ordering system)

<https://mall.industry.siemens.com/mall/en/en/Catalog/product?mlfb=3SE5000-0AK00>

### Cax online generator

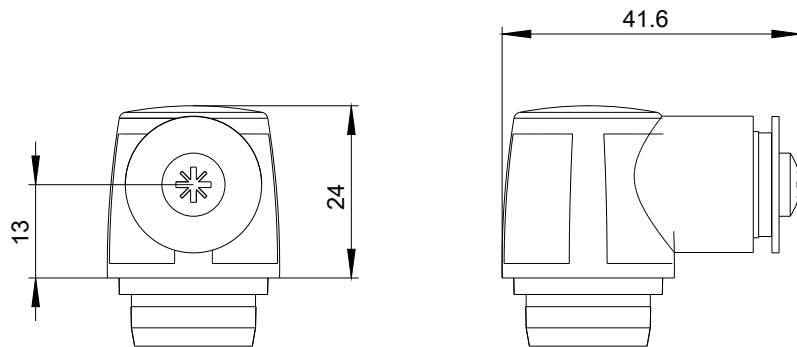
<http://support.automation.siemens.com/WW/CAXorder/default.aspx?lang=en&mlfb=3SE5000-0AK00>

### Service&Support (Manuals, Certificates, Characteristics, FAQs,...)

<https://support.industry.siemens.com/cs/ww/en/ps/3SE5000-0AK00>

### Image database (product images, 2D dimension drawings, 3D models, device circuit diagrams, EPLAN macros, ...)

[http://www.automation.siemens.com/bilddb/cax\\_de.aspx?mlfb=3SE5000-0AK00&lang=en](http://www.automation.siemens.com/bilddb/cax_de.aspx?mlfb=3SE5000-0AK00&lang=en)



last modified:

12/18/2016