







SEPARATE ACTUATOR, UNIVERSAL RADIUS ACTUATOR
 'HEAVY DUTY' VERSION VERTICAL AND HORIZONTAL
 ADJUSTABLE L=77 MM FOR POSIT. SWITCH WITH TUMBLER
 3SE5312../3SE5322.. AND ASI 3SF13... AND POSIT. SWITCH
 WITH SEPARATE ACTUATOR 3SE51../3SE52.. AND ASI
 3SF11../3SF12..

Product designation	actuator
General technical data	
Shock resistance	
• acc. to IEC 60068-2-27	30 g / 11 ms
Vibration resistance	
• acc. to IEC 60068-2-6	0.35 mm/5g
Mechanical service life (switching cycles)	
• typical	1 000 000
Equipment marking	
• acc. to DIN EN 61346-2	T
• acc. to DIN EN 81346-2	T
Active principle	mechanical
Drive Head	
Design of the operating mechanism	universal actuator
Ambient conditions	
Ambient temperature	
• during operation	-25 ... +85 °C
• during storage	-40 ... +90 °C

Installation/ mounting/ dimensions

Mounting position	any
Mounting type	screw fixing

Certificates/approvals

General Product Approval	Functional Safety/Safety of Machinery	Declaration of Conformity	Test Certificates
 CSA	 UR		 EG-Konf.
	Baumusterprüfbescheinigung		spezielle Prüfbescheinigungen

other

[Bestätigungen](#)

Further information

Information- and Downloadcenter (Catalogs, Brochures,...)

<http://www.siemens.com/industrial-controls/catalogs>

Industry Mall (Online ordering system)

<https://mall.industry.siemens.com/mall/en/en/Catalog/product?mfb=3SE5000-0AV07>

Cax online generator

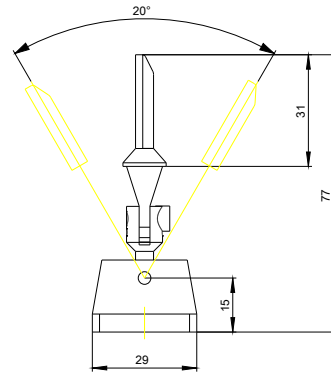
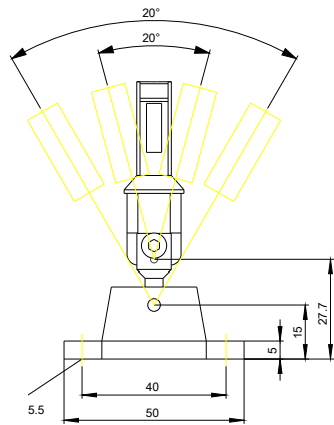
<http://support.automation.siemens.com/WW/CAXorder/default.aspx?lang=en&mfb=3SE5000-0AV07>

Service&Support (Manuals, Certificates, Characteristics, FAQs,...)

<https://support.industry.siemens.com/cs/ww/en/ps/3SE5000-0AV07>

Image database (product images, 2D dimension drawings, 3D models, device circuit diagrams, EPLAN macros, ...)

http://www.automation.siemens.com/bilddb/cax_de.aspx?mfb=3SE5000-0AV07&lang=en



last modified:

01/03/2017