

CONTACTOR, SIZE 2, 2-POLE DC-3 AND
5,RATD.OPERAT.CURR.32A AUXILIARY CONTACTS 22
(2NO+2NC) AC OPERATION AC 120V 60HZ/AC 100V 50HZ



Figure similar

General technical data:

Size of contactor	2
Number of poles	2
Equipment marking acc. to DIN 40719 extended according to IEC 204-2 acc. to IEC 750	K
Equipment marking acc. to DIN EN 61346-2	Q
Protection class IP	IP00
Ambient temperature during operation	-25 ... +55 °C

Control circuit/ Control:

Type of voltage	AC
Control supply voltage	
• at AC	
— at 50 Hz rated value	100 ... 100 V
— at 60 Hz rated value	120 ... 120 V

Main circuit:

Number of NO contacts for main contacts	2
Number of NC contacts for main contacts	0

Operating current	
<ul style="list-style-type: none"> • at DC-3 at DC-5 <ul style="list-style-type: none"> — at 440 V rated value — at 220 V rated value — at 600 V rated value — at 750 V rated value 	<ul style="list-style-type: none"> 29 A 32 A 21 A 7.5 A
Operating power	
<ul style="list-style-type: none"> • at DC-3 at DC-5 <ul style="list-style-type: none"> — at 110 V rated value — at 220 V rated value — at 440 V rated value — at 600 V rated value — at 750 V rated value 	<ul style="list-style-type: none"> 2.5 kW 5 kW 9 kW 9 kW 4 kW

Auxiliary circuit:	
Identification number and letter for switching elements	22
Number of NO contacts for auxiliary contacts	2
Number of NC contacts for auxiliary contacts	2
Number of CO contacts for auxiliary contacts	0

Connections/ Terminals:	
Type of electrical connection for main current circuit	screw-type terminals
Type of electrical connection for auxiliary and control current circuit	screw-type terminals

Mechanical data:	
Mounting type	screw and snap-on mounting onto 35 mm standard mounting rail according to DIN EN 50022
Mounting type Side-by-side mounting	Yes
Width	70 mm
Height	85 mm
Depth	104 mm

Certificates/ approvals:	
---------------------------------	--

General Product Approval	Functional Safety/Safety of Machinery	Declaration of Conformity
--------------------------	---------------------------------------	---------------------------



CCC



CSA



UL



[Baumusterprüfbescheinigung](#)



EG-Konf.

Test Certificates	Shipping Approval	other
-------------------	-------------------	-------

[spezielle Prüfbescheinigungen](#)



RMRS

[sonstig](#)

[Bestätigungen](#)

Further information

Information- and Downloadcenter (Catalogs, Brochures,...)

<http://www.siemens.com/industrial-controls/catalogs>

Industry Mall (Online ordering system)

<http://www.siemens.com/industrymall>

Cax online generator

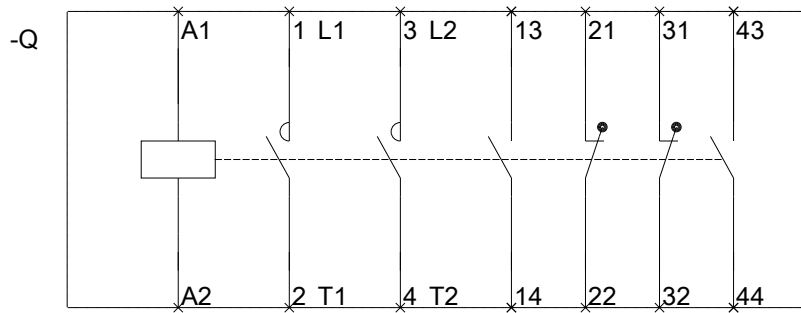
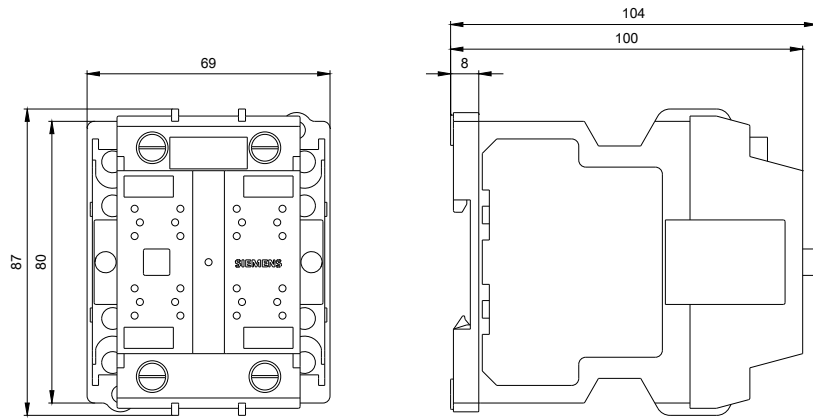
<http://support.automation.siemens.com/WW/CAXorder/default.aspx?lang=en&mlfb=3TC4417-0BK1>

Service&Support (Manuals, Certificates, Characteristics, FAQs,...)

<https://support.industry.siemens.com/cs/ww/en/ps/3TC4417-0BK1>

Image database (product images, 2D dimension drawings, 3D models, device circuit diagrams, EPLAN macros, ...)

http://www.automation.siemens.com/bilddb/cax_de.aspx?mlfb=3TC4417-0BK1&lang=en



last modified:

12/18/2016