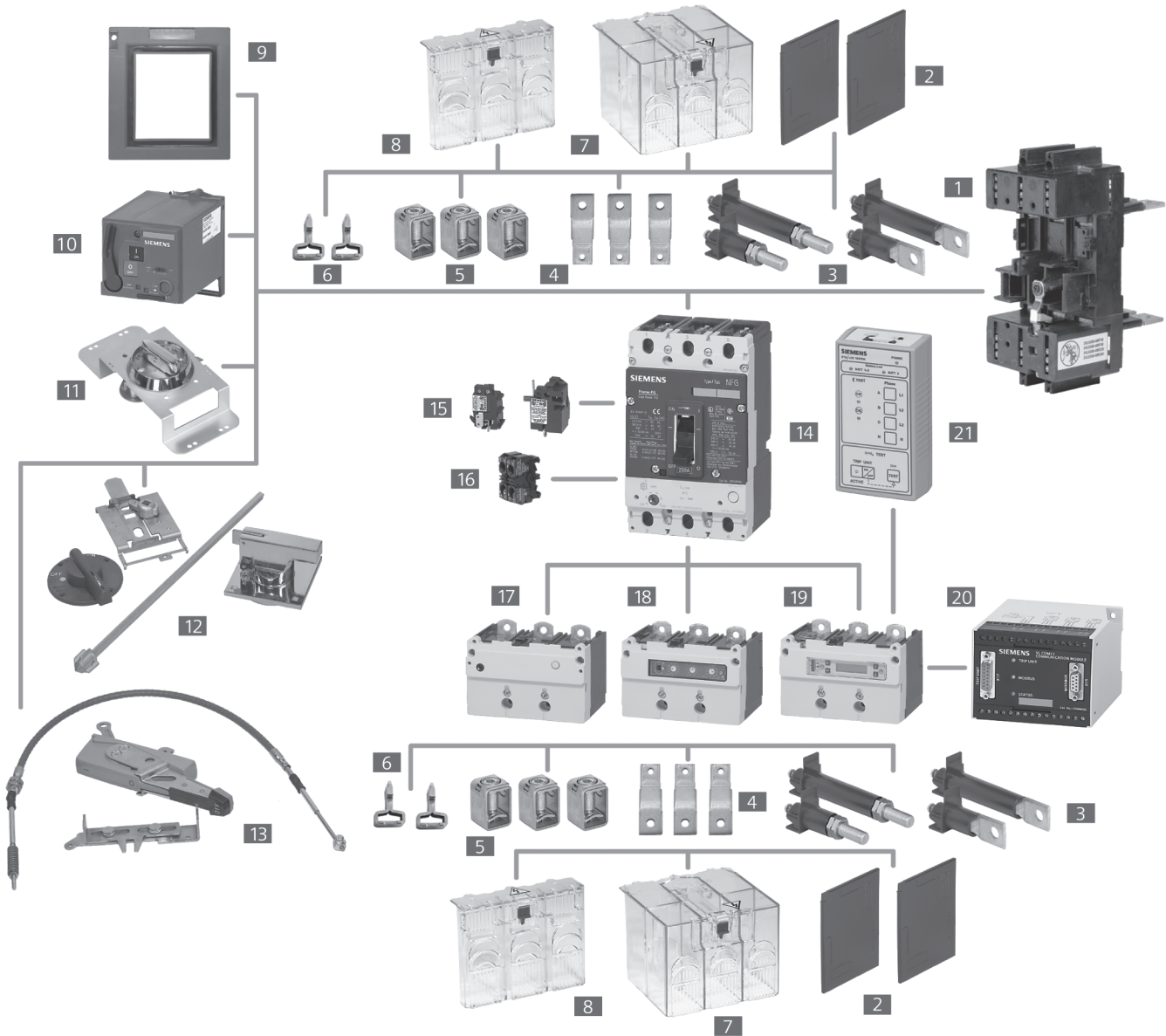


Modularity To Support All Your Application Needs

Modules and More: VL Circuit Breakers with Optional Accessories



6
MOLDED CASE
CIRCUIT BREAKERS

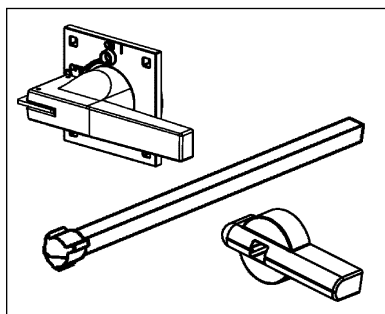
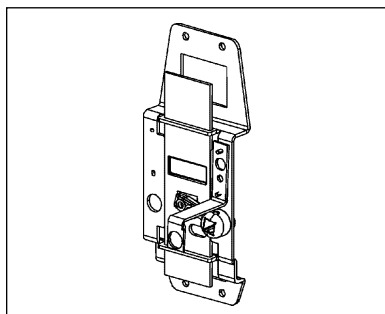
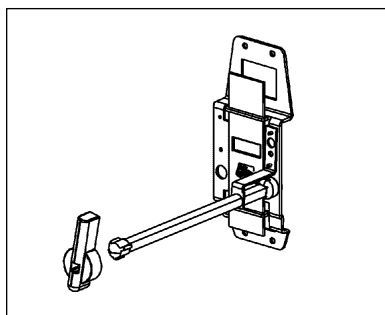
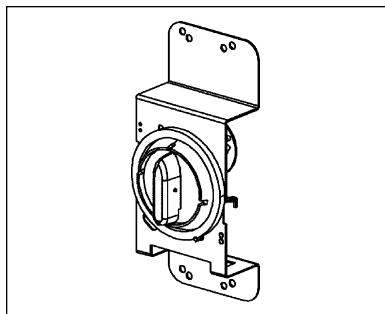
- 1 Base for Plug-In or Draw-Out
- 2 Interphase Barriers
- 3 Rear Terminals – Flat and Round
- 4 Bus Extensions
- 5 Terminal Connectors
- 6 Plug-In Terminal Blades
- 7 Extended Terminal Shield
- 8 Standard Terminal Shield

- 9 Cover Frame for Door Cutout
- 10 Stored Energy Operator
- 11 Rotary Handle Operator
- 12 Variable Depth Rotary Operator
- 13 Max Flex Operator
- 14 Circuit Breaker
- 15 Shunt Trip or Undervoltage Releases
- 16 Auxiliary/Alarm Switches

- 17 Thermal-Magnetic Trip Unit (525)
- 18 Electronic Trip Unit (545)
- 19 Elec. Trip Unit with LCD (576)
- 20 Communication Module with ZSI
- 21 Electronic Trip Unit Test Kit

External Accessories

Operating Mechanisms



Description	For DG to FG Frame 150 to 250 A		For JG to LG Frame 400 A to 600 A	
	Catalog Number	List Price \$	Catalog Number	List Price \$
Through-Door Rotary Handle Operator Kit Fixed depth and the handle is mounted directly on the circuit breaker. Lockable knob (for up to 3 padlocks). NEMA 1, 12	RHFF	155.00	RHFL	193.00
Red Handle Version with red knob, yellow indicator plate NEMA 1, 12	RHFFEM	168.00	RHFLEM	205.00
Door-Mounted Rotary Handle Operator Kit Variable depth, door mounted handle. Includes knob with masking frame, indicator plate, detachable door coupling, 12" shaft, and breaker mounted rotary operator. Lockable knob (for up to 3 padlocks). NEMA 1, 12	RHVF12	214.00	RHVL12	295.00
Auxiliary Switch Kits For Direct or Extended Rotary Handle Operators (RHF and RHV). Form C, Early Break type2 Aux. Switch Kit [Ⓞ] Includes 1 switch with 5' wire For Door-Mounted Operator For Through-Door Operator	RHSLA1 RHSFA1F	CSO 187.00	RHSLA1 RHSLA1F	187.00 187.00
Includes 2 switches with 5' wire For Door-Mounted Operator For Through-Door Operator	RHSLA2 RHSFA2F	CSO 237.00	RHSLA2 RHSLA2F	237.00 237.00
Door-Mounted Rotary Operator Mechanism Breaker mechanism only	RHVFBM	131.00	RHVLBM	212.00
Door-Mounted Rotary Handle Only Standard version NEMA 1, 12 NEMA 3R NEMA 4X Red Handle version	RHVM12H RHVM3RH RHVM4XH RHVMEMH	51.00 116.00 150.00 61.00	RHVM12H RHVM3RH RHVM4XH RHVMEMH	51.00 116.00 150.00 61.00
Extension Shaft Only, for Door Mounted Operator 2 inches (50.8mm) 3 inches (76.2mm) 12 inches (304.8 mm) 16 inches (406.4 mm) 24 inches (609.6mm) w/ support bracket	RHVMS02 — RHVMS12 RHVMS16 RHVMS24	31.50 — 31.50 31.50 CSO	RHVMS02 — RHVMS12 RHVMS16 RHVMS24	31.50 — 31.50 31.50 CSO

6
MOLDED CASE
CIRCUIT BREAKERS

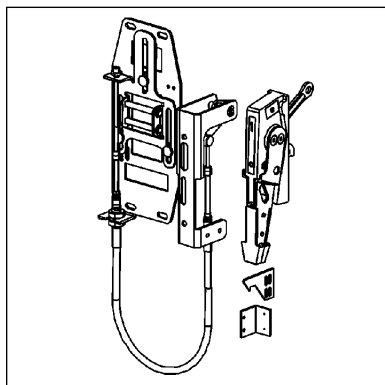
[Ⓞ] During manual operation, Early Break auxiliary switch contacts open before the breaker opens.
CSO - Consult Sales Office for pricing.

Description	For MG Frame 800 A		For NG to PG Frame 1200 to 1600 A	
	Catalog Number	List Price \$	Catalog Number	List Price \$
Through-Door Rotary Handle Operator Kit Fixed depth, breaker mounted. For direct fitting to the circuit breaker. Lockable with up to 3 padlocks. NEMA 1, 12	—	—	—	—
Red Handle version with red knob, yellow indicator plate NEMA 1, 12	—	—	—	—
Door-Mounted Rotary Handle Operator Kit Variable depth, door mounted handle. Includes knob with masking frame, indicator plate, detachable door coupling, 12" shaft, and breaker mounted rotary operator. Lockable knob (for up to 3 padlocks). NEMA 1, 12	RHVM12	322.00	—	—
Auxiliary Switch Kits For Direct or Extended Rotary Handle Operators (RHF and RHV). Early Break type2 Aux. Switch Kit Includes 1 switch with 5' wire For Door-Mounted Operator For Through-Door Operator	RHSMA1 —	187.00 —	RHSPA1 —	187.00 —
Includes 2 switches with 5' wire For Door-Mounted Operator For Through-Door Operator	RHSMA2 —	237.00 —	RHSPA2 —	237.00 —
Door-Mounted Rotary Operator Mechanism Breaker mechanism only	RHVMBM	239.00	RHVPSM	239.00
Door-Mounted Rotary Handle Only Standard version NEMA 1, 12 NEMA 3R NEMA 4X Red Handle version	RHVM12H RHVM3RH RHVM4XH RHVMEH	51.00 116.00 150.00 61.00	RHVP3RH RHVP3RH RHVP4XH RHVPEMH	116.00 116.00 150.00 126.00
Extension Shaft Only, for Door Mounted Operator 2 inches (50.8mm) 3 inches (76.2mm) 12 inches (304.8 mm) 16 inches (406.4 mm) 24 inches (609.6mm) w/ support bracket	RHVMS02 — RHVMS12 RHVMS16 RHVMS24	31.50 — 31.50 31.50 CSO	— RHVPS03 RHVPS12 — RHVPS24	— 97.00 97.00 — 127.00

CSO - Consult Sales Office for pricing.

External Accessories

Operating Mechanisms



Description	For DG and FG Frame 150 to 250 A		For JG and LG Frame 400 to 600 A	
	Catalog Number	List Price \$	Catalog Number	List Price \$
Max-Flex™, Variable Depth Flange Mounted Operator Kit Complete kit, includes plastic handle, breaker operator, and cable. NEMA 1, 3R, 12 For DG and FG operators, the cable is 36", all others are 48"	MFKF3R	588.00	MFKL3R	630.00
Handle Only, for Max-Flex™ Variable Depth				
NEMA 1, 3R, 12 Plastic	MFHM3R	269.00	MFHM3R	269.00
NEMA 1, 3R, 12 Steel - epoxy coated	MFHM3RS	315.00	MFHM3RS	315.00
NEMA 4, 4X Steel - chrome plated	MFHM4X	432.00	MFHM4X	432.00
Solid color (all gray) Plastic ^①				
NEMA 1, 3R, 12	MFHM3RB	269.00	MFHM3RB	269.00
Solid color (black handle) Steel epoxy coated ^①				
NEMA 1, 3R, 12	MFHM3RSB	315.00	MFHM3RSB	315.00
Breaker Operator Mechanism Only, for Max-Flex™	MFMF	194.00	MFML	218.00
Cable Only, for Max-Flex™ Variable Depth				
36"	MFCF036	161.00	MFCM036	177.00
48"	MFCF048	192.00	MFCM048	209.00
60"	MFCF060	217.00	MFCM060	239.00
72"	MFCF072	239.00	MFCM072	275.00
84"	MFCF084	264.00	MFCM084	319.00
96"	MFCF096	287.00	MFCM096	376.00
120"	MFCF120	376.00	MFCM120	408.00
144"	MFCF144	417.00	MFCM144	424.00
Handle Auxiliary Switch Form C (1NO - 1NC), early break ^②				
1 Aux. switch	MFSFA1	165.00	MFSLA1	165.00
2 Aux. switch	MFSFA2	330.00	MFSLA2	330.00

① Max-Flex™ handles are available with solid gray or black handles instead of the customary "Red for On" flange handle.

The black handle is preferred for IEC markets, where red handles have a specific meaning.

② During manual operation, Early Break aux. contacts open before the breaker opens.

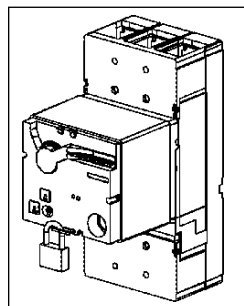
CSO - Consult Sales Office for pricing.

Description	For MG Frame 800 A		For NG Frame 1200 A		For PG Frame 1600 A	
	Catalog Number	List Price \$	Catalog Number	List Price \$	Catalog Number	List Price \$
Max-Flex™, Variable Depth Flange Mounted Operator Kit Complete kit, includes plastic handle, breaker operator, and cable. NEMA 1, 3R, 12 For DG and FG operators, the cable is 36", all others are 48"	MFKM3R	736.00	MFKP3RS	839.00	MFKP3RS	839.00
Handle Only, for Max-Flex™ Variable Depth						
NEMA 1, 3R, 12 Plastic	MFHM3R	269.00	—	—	—	—
NEMA 1, 3R, 12 Steel - epoxy coated	MFHM3RS	470.00	MFHP3RS	470.00	MFHP3RS	470.00
NEMA 4, 4X Steel - chrome plated	MFHM4X	432.00	MFHP4X	630.00	MFHP4X	630.00
Solid color (all gray) Plastic ^①						
NEMA 1, 3R, 12	MFHM3RB	269.00	—	—	—	—
Solid color (black handle) Steel epoxy coated ^①						
NEMA 1, 3R, 12	MFHM3RSB	315.00	MFHP3RSB	470.00	MFHP3RSB	470.00
Breaker Operator Mechanism Only, for Max-Flex™	MFMM	218.00	MFMP	218.00	MFMP	218.00
Cable Only, for Max-Flex™ Variable Depth						
36"	MFCM036	177.00	—	—	—	—
48"	MFCM048	209.00	MFCP048	237.00	MFCP048	237.00
60"	MFCM060	239.00	MFCP060	275.00	MFCP060	275.00
72"	MFCM072	275.00	MFCP072	320.00	MFCP072	320.00
84"	MFCM084	319.00	MFCP084	337.00	MFCP084	337.00
96"	MFCM096	376.00	MFCP096	401.00	MFCP096	401.00
120"	MFCM120	408.00	MFCP120	437.00	MFCP120	437.00
144"	MFCM144	424.00	MFCP144	588.00	MFCP144	588.00
Handle Auxiliary Switch Form C (1NO - 1NC), early break ^②						
1 Aux. switch	MFSPA1	CSO	MFSPA1	CSO	MFSPA1	CSO
2 Aux. switch	MFSPA2	CSO	MFSPA2	CSO	MFSPA2	CSO

CSO - Consult Sales Office for pricing.

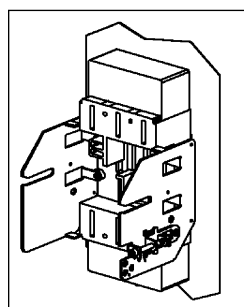
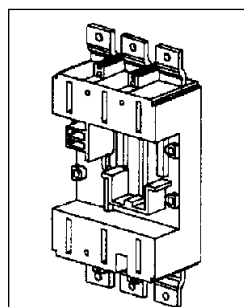
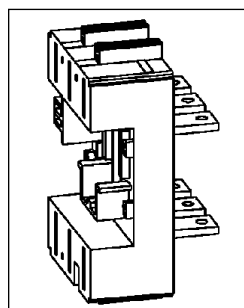
External Accessories

Operating Mechanisms



Description	For DG to FG Frame 150 to 250 A	
	Catalog Number	List Price \$
Stored Energy and Motor Operators Lockable with up to 3 padlocks.		
AC Voltage DC Voltage	Stored Energy Type	
— 24	SEAFB	1915.00
42-48 42-48	SEAFM	1915.00
60 60	SEAFY	1915.00
110-127 110-127	SEAFN	1915.00
220-250 220-250	SEAFR	1915.00
Cylinder Locks for Field Installation	CLKF	120.00

Plug-In and Draw-Out Bases



Description	For DG Frame 150 A		For FG Frame 250 A	
	Catalog Number	List Price \$	Catalog Number	List Price \$
Plug-in Mounting Base Assembly Includes base, terminal blade kit, sec. terminal block assembly, base trip interlock, and mounting hardware.				
Rear Connected 3-pole	PCBDR3	351.00	PCBFRC3	691.00
Front Connected 3-pole	PCBDF3	351.00	PCBF3C3	691.00
Draw-out Assembly Includes base, position indicator switch, socket, base trip interlock, crank handle, connectors, and necessary shields.				
Rear Connected 3-pole	DCADRC3	944.00	DCAFRC3	1194.00
Front Connected 3-pole (Draw-out assembly includes side plates and all hardware)	DCADFC3	944.00	DCAFFC3	1194.00
Hex Wrench for racking draw-out assembly and position indicator	DCHP	134.00	DCHP	134.00
Position Indicator Switch Form "C" switch to indicate breaker engaged/de-engaged position. ^①	DCIP	156.00	DCIP	156.00
Secondary Terminal Block Assy. Accessory connections for plug-in or draw-out breakers. Pre-wired plug and block with 8 terminal points. ^②	PCTF83	109.00	PCTF83	109.00
90° Connection Adapter Kit For rear connected 3-pole plug-in base	PCAF390	74.00	PCAF390	74.00
Plug-In Spare Breaker Kit Set of 6 terminal blades, 2 terminal shield, & 1 trip interlock	PCXD3	242.00	PCXF3	320.00
Draw-out Spare Breaker Kit Set of 6 terminal blades, & 1 trip interlock	DCXD3	210.00	DCXF3	289.00
Spare Breaker Trip Interlock	PCXFT	21.00	PCXFT	21.00

① Up to 2 position indicator switches may be mounted per plug-in or draw-out base.

② Up to 2 plugs per breaker (16 terminal points) may be mounted on DG, and FG breakers. Up to 3 plugs per breaker (24 terminal points) may be mounted on JG, LG, MG, NG, and PG breakers.

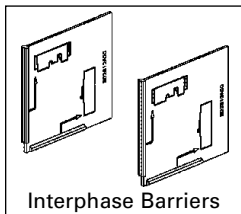
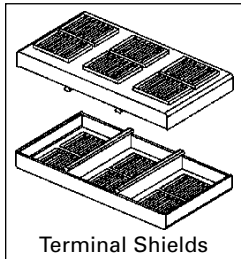
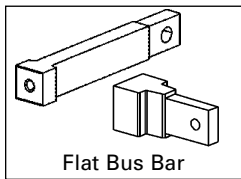
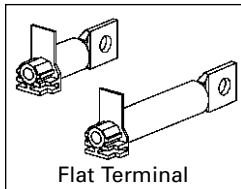
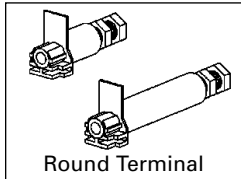
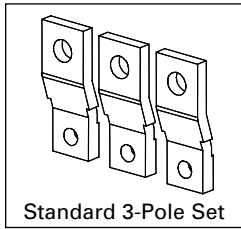
CSO - Consult Sales Office for pricing.

For JG to LG Frame 400 to 600 A		For MG Frame 800 A		For NG to PG Frame 1200 to 1600 A	
Catalog Number	List Price \$	Catalog Number	List Price \$	Catalog Number	List Price \$
Stored Energy Type		Stored Energy Type		Motor Operator Type	
SEALB	3525.00	SEAMB	4173.00	MTRPB	4457.00
SEALM	3525.00	SEAMM	4173.00	MTRPM	4457.00
SEALY	3525.00	SEAMY	4173.00	MTRPY	4457.00
SEALN	3525.00	SEAMN	4173.00	MTRPN	4457.00
SEALR	3525.00	SEAMR	4173.00	MTRPR	4457.00
CLKP	120.00	CLKP	120.00	CLKP	120.00

For JG Frame 400 A		For LG Frame 600 A		For MG Frame 800 A		For NG Frame 1200 A		For PG Frame 1600 A	
Catalog Number	List Price \$	Catalog Number	List Price \$	Catalog Number	List Price \$	Catalog Number	List Price \$	Catalog Number	List Price \$
PCBJRC3	1179.00	PCBLRC3	1865.00	PCBMRC3	2891.00	PCBNRC3	3909.00	—	—
PCBJFC3	1179.00	PCBLFC3	1865.00	—	—	—	—	—	—
DCAJRC3	1881.00	DCALRC3	2886.00	DCAMRC3	4337.00	DCANRC3	5566.00	—	—
DCAJFC3	1881.00	DCALFC3	2886.00	DCAMFC3	4337.00	DCANFC3	5566.00	—	—
DCHP	134.00	DCHP	134.00	DCHP	134.00	DCHP	134.00	DCHP	134.00
DCIP	156.00	DCIP	156.00	DCIP	156.00	DCIP	156.00	DCIP	156.00
PCTL83	133.00	PCTL83	133.00	PCTM83	143.00	PCTN83	168.00	—	—
—	—	—	—	—	—	—	—	—	—
PCXJ3	410.00	PCXL3	483.00	PCXM3	1085.00	PCXN3	1344.00	—	—
DCXJ3	378.00	DCXL3	452.00	DCXM3	1050.00	DCXN3	1307.00	—	—
PCXLT	23.00	PCXLT	23.00	PCXMT	58.00	PCXPT	77.00	PCXPT	77.00

External Accessories

Connections



Description	For DG Frame 150 A		For FG Frame 250 A	
	Catalog Number	List Price \$	Catalog Number	List Price \$
Front Bus Bar Connections^① Includes nut keeper plates and shield. Standard (straight) 3-Pole Set Bus Bar Connection Strap Kit Includes 6 - Bus Bars, 6 Nut Keepers & Shields 100% rated applications	FBCD3 — —	CSO — —	FBCF3 — —	CSO — —
Rear-Connecting Studs Short length round term. (1piece) Long length round term. (1piece) 3-Pole round term. kit, 2 short + 1 long Short length flat term. (1piece) Long length flat term. (1piece) 3-Pole flat term. kit, 2 short + 1 long Flat bus bar type (1 piece) 3-Pole set of flat bus bar	RTLDSR RTLDLR SRTDR3 RTLDSF RTLDLF SRTDF3 — —	83.00 112.00 277.00 83.00 112.00 277.00 — —	RTLFSR RTLFLR SRTFR3 RTLFSF RTLFLF SRTFF3 — —	83.00 112.00 277.00 83.00 112.00 277.00 — —
Terminal Shields^① Includes 2 terminal shields. 3-Pole Standard Shield 3-Pole Extended Shield	TSSF3 TSLF3	37.00 58.00	TSSF3 TSLF3	37.00 58.00
Interphase Barriers^① Set of 2 barriers Also fits plug-in and draw-out bases.	IPBF	29.00	IPBF	29.00
Lug Mounting Assy.	—	—	—	—
Breaker Mounting Base Front connected Rear connected	— —	— —	— —	— —

① Not UL listed.
② Only fits standard terminal covers.
CSO - Consult Sales Office for pricing.

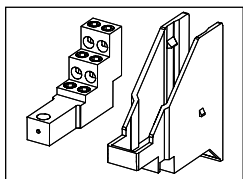
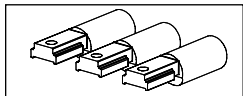
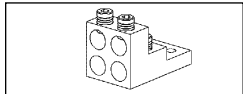
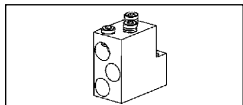
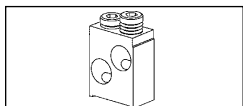
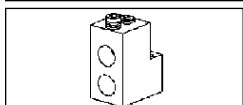
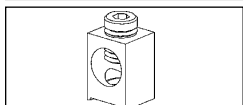
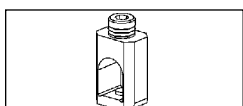
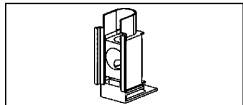
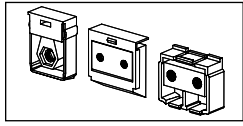
For JG Frame 400 A		For LG Frame 600 A		For MG Frame 800 A		For NG Frame 1200 A		For PG Frame 1600 A	
Catalog Number	List Price \$	Catalog Number	List Price \$	Catalog Number	List Price \$	Catalog Number	List Price \$	Catalog Number	List Price \$
FBCJ3A —	CSO —	FBCL3A —	CSO —	FBCM3A —	CSO —	FBCP3A SSBP SSBPH	CSO 1004.00 1227.00	FBCP3A SSBP SSBPH	CSO 1004.00 1227.00
RTLJSR RTLJLR SRTJR3 RTLJSF RTLJLF SRTJF3 — —	195.00 208.00 597.00 195.00 208.00 597.00 — —	— — — — — — RTLLSF SRTLF3	— — — — — — 224.00 671.00	— — — — — — RTLMSF SRTMF3	— — — — — — 323.00 967.00	— — — — — — RTLNSF SRTNF3	— — — — — — 434.00 1303.00	— — — — — — — —	— — — — — — — —
TSSL3 TSSL3	47.50 68.00	TSSL3 ^② TSSL3 ^②	47.50 68.00	TSSM3 TSLM3	67.00 97.00	TSSP3 TSLP3	91.00 116.00	TSSP3 TSLP3	91.00 116.00
IPBM	38.50	IPBM	38.50	IPBM	38.50	IPBP	83.00	IPBP	83.00
—	—	—	—	—	—	—	—	LMAP1600	968.00
— —	— —	— —	— —	— —	— —	— —	— —	MBPG1600 MBPG1601	1211.00 1211.00

CSO - Consult Sales Office for pricing.

External Accessories

Connections

6
MOLDED CASE
CIRCUIT BREAKERS



Note: pictures provide graphical representations only.

Discription	For DG Frame 150 A		For FG Frame 250 A	
	Catalog Number	List Price \$	Catalog Number	List Price \$
Nut Keeper Plates For ring/tongue terminal or bus bar connections. (For metric threads on other than the JG or LG frame, change "TNK" to "TMK") 1 Nut Keeper Plate Kit of 3	TNKD TNKD3	6.10 19.40	TNKF TNKF3	6.10 19.40
Mechanical Lugs <i>Steel Wrap Around Body (Cu Wire Only)</i> Cable Size; (cables per phase) Single Lug Kit of 3	#8-1/0; 1-hole TW1DG20 3TW1DG20	7.20 — 22.00	#4-350 kcmil; 1-hole TW1FG350 3TW1FG350	22.00 — 65.00
<i>Aluminum Body (Al or Cu Wire)</i> Cable Size; (cables per phase) Single Lug Kit of 2	#6-3/0; 1-hole TA1DG30 —	7.20 —	#4-350 kcmil; 1-hole TAW1FG350 —	22.00 —
Kit of 3	3TA1DG30	22.00	3TAW1FG350	65.00
Cable Size; (cables per phase) Single Lug Kit of 2 Kit of 3	— — —	— — —	— — —	— — —
Cable Size; (cables per phase) Single Lug Kit of 3	— — —	— — —	— — —	— — —
<i>Copper Body (Cu Wire Only)</i> Cable Size; (cables per phase) Single Lug Kit of 2	#6-3/0; 1-hole TC1DG30 —	33.50 —	#4-350 kcmil; 1-hole TCW1FG350 —	34.50 —
Kit of 3	3TC1DG30	101.00	3TCW1FG350	104.00
Cable Size; (cables per phase) Single Lug	— —	— —	— —	— —
Compression Lugs Cable Size; (cables per phase) Kit of 2 Kit of 3	#14-2/0; 1-cable 2CLD20 3CLD20	54.00 81.00	#6-350 kcmil; 1-cable — —	— — —
Cable Size; (cables per phase) Kit of 2 Kit of 3	— — —	— — —	— — —	— — —
Cable Size; (cables per phase) Kit of 3	— —	— —	— —	— —
Distribution Lugs Cable Size; (cables per phase) Single Lug Kit of 3	#14-#2; 3-hole TA3DG02 3TA3DG02	31.50 110.00	#14-#1; 2-hole and #14-2/0; 1-hole TA3FG20 3TA3FG20	37.00 110.00
Cable Size; (cables per phase) Single Lug Kit of 3	#14-#4; 6-hole TA6DG04 3TA6DG04	33.50 110.00	#14-#4; 6-hole TA6FG04 3TA6FG04	37.00 110.00
Control Wire Terminals Control Wire Terminal (Single) Control Wire Terminal (Kit of 3)	— —	— —	— —	— —

For JG Frame 400 A		For LG Frame 600 A		For MG Frame 800 A		For NG Frame 1200 A		For PG Frame 1600 A	
Catalog Number	List Price \$	Catalog Number	List Price \$	Catalog Number	List Price \$	Catalog Number	List Price \$	Catalog Number	List Price \$
TMKJ TMKJ3	6.10 19.40	TNKL TNKL3	9.80 29.00	TNKM TNKM3	9.80 29.00	TNKP TNKP3	9.80 29.00	TNKP TNKP3	9.80 29.00
1/0-500 kcmil; 1-hole TW1JG600 3TW1JG600	— 29.00 87.00	— — —	— — —	— — —	— — —	— — —	— — —	— — —	— — —
3/0-250 kcmil; 2-hole TA2JG250 — 3TA2JG250	29.00 — 87.00	#2-600 kcmil; 2-hole — — 3TA2LG600LD ^① 3TA2LG600LN ^②	— — 109.00 109.00	1/0-500 kcmil, 3-hole TA3MG500 3TA3MG500	67.00 202.00	1/0-500 kcmil; 4-hole — 2TA4NG500 3TA4NG500 3TA4NG500H ^③	— 579.00 291.00 875.00	1/0-750 kcmil; 6-hole — — 3TA6PG750 ^③	— — 940.00
AL: 250-750 kcmil CU: 3/0-600 kcmil; 1-hole TA1JG750 3TA1JG750 — — —	36.00 109.00 — — —	AL: 250-750 kcmil CU: 3/0-600 kcmil; 1-hole TA1JG750 (400A max) 3TA1JG750 (400A max)	36.00 109.00 — — —	500 -750 kcmil; 2-hole TA2MG750 3TA2MG750 #2-600 kcmil; 3-hole — 3TA3MG600 ^③	122.00 364.00 — 218.00	500 -750 kcmil; 3-hole — 2TA3NG750 3TA3NG750 — —	579.00 832.00 — —	600-750 kcmil; 4-hole TA4P750 ^④ — 300-600 kcmil; 5; 6-hole TA5P600 ^④ TA6R600 ^④ —	254.00 — 320.00 338.00 —
3/0-250 kcmil; 2-hole TC2JG250 — — — 3/0-750 kcmil; 1-hole TC1JG750	77.00 — — — 77.00	#2-600 kcmil; 2-hole — 2TC2LG600LD ^① 2TC2LG600LN ^② 3TC2LG600LD ^① 3TC2LG600LN ^② — —	— 154.00 154.00 231.00 231.00 — —	1/0-500 kcmil; 3-hole TC3MG500 — — — — —	134.00 — — — — —	1/0-500 kcmil; 4-hole — — 3TC4NG500 1/0-500 kcmil; 3-hole TC3NG500 —	— — 832.00 CSO —	1/0-750 kcmil; 6-hole — — — 300-600 kcmil; 5-hole TC5R600 ^④ —	— — — 426.00 —
#6-350 kcmil; 1-cable 3CLJ350 — — — —	— 449.00 — — —	#6-350 kcmil; 2-cable — 6CLL350 — — — —	— 899.00 — — — —	1/0-500 kcmil; 3-cable — — — — — —	— — — — — —	1/0-500 kcmil; 4-cable — — — — — —	— — — — — —	#2-600 kcmil; 8-cable — — — — — —	— — — — — —
#14-#4; 12-hole TA12JG04 3TA12JG04 #14-2/0; 6-hole TA6JG20 3TA6JG20	88.00 265.00 88.00 265.00	— — — — —	— — — — —	— — — — —	— — — — —	— — — — —	— — — — —	— — — — —	— — — — —
TA2JG250PT —	CSO —	— 3TA2LG600LNPT	— CSO	TA3MG500PT —	CSO —	— 3TA4NG500PT	— CSO	— —	— —

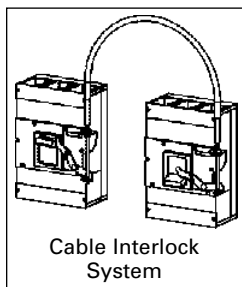
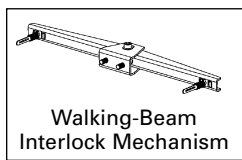
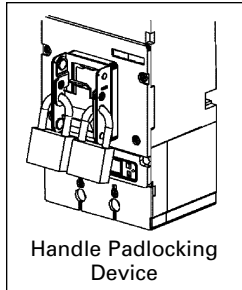
All lug kits include the nut keepers.
^① Mounted on Load Side Only.
^② Mounted on Line Side Only.

^③ Rated 90° for 100% Applications.
^④ Requires extended modified shield.
^⑤ Used only with LMAP 1600 mounting base.

^⑥ Used with MBPG 1600 or 1601 mounting base.
 CSO - Consult Sales Office for pricing.

External Accessories

General



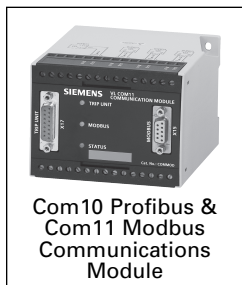
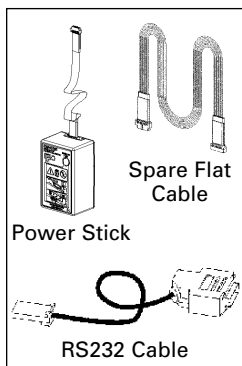
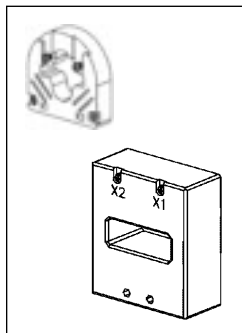
Description	For DG Frame 150 A		For FG Frame 250 A	
	Catalog Number	List Price \$	Catalog Number	List Price \$
Handle Padlocking Device To padlock breaker toggle in the "OFF" position. Accepts up to 3 padlocks with 5-8 mm shackles.	HPLF	15.80	HPLF	15.80
Handle Blocking Device For holding the handle in the "ON" position. Not a lockout/tagout device.	HBDF	27.00	HBDF	27.00
Walking-Beam Interlock Mechanism Provides mechanical interlocking between two adjacent circuit breakers. Fixed mounted breakers	WBMFFM	608.00	WBMFFM	608.00
Note: Both breakers must be of the same frame size.				
Cable Interlock Mechanism Provides mechanical interlocking between 2 circuit-breakers - includes operator mechanism for one circuit breaker only. Combination with the next larger or smaller frame size is possible.	CBTF	481.00	CBTF	481.00
Interlock Cable Cable only, to connect 2 circuit breakers.				
Cable length 18 in. .46m (recommended up to 250A)	CBCF18	134.00	CBCF18	134.00
Cable length 36 in. .91m (recommended from 400-800A)	CBCM36	156.00	CBCM36	156.00
Cable length 54 in. 1.37m (recommended from 1200-1600A)	CBCP54	190.00	CBCP54	190.00
Mounting Screw Kit Includes the necessary hardware to mount a circuit breaker to the user's prepared surface				
Kit with 2 screws (SAE thread)	MSKF2	3.70	MSKF2	3.70
Kit with 4 screws (SAE thread)	MSKF4	3.70	MSKF4	3.70
Kit with 4 screws (metric)	MSKF4M	CSO	MSKF4M	CSO
Trip Adjustment Sealing Cover Includes a trip unit cover to prevent tampering or adjustment of trip settings. Seal not included.				
Electronic Trip Units	TSCPET	15.80	TSCPET	15.80
Thermal-Magnetic Trip Units	TSCFTM	38.50	TSCFTM	38.50

For JG Frame 400 A		For LG Frame 600 A		For MG Frame 800 A		For NG Frame 1200 A		For PG Frame 1600 A	
Catalog Number	List Price \$	Catalog Number	List Price \$	Catalog Number	List Price \$	Catalog Number	List Price \$	Catalog Number	List Price \$
HPLL	22.00	HPLL	22.00	HPLM	57.00	HPLP	57.00	HPLP	57.00
HBDL	27.00	HBDL	27.00	HBDM	57.00	HBDP	57.00	HBDP	57.00
WBMLFM	608.00	WBMLFM	608.00	WBMMFM	608.00	WBMPFM	658.00	WBMPFM	658.00
CBTL	515.00	CBTL	515.00	CBTM	548.00	CBTP	582.00	CBTP	582.00
—	—	—	—	—	—	—	—	—	—
CBCM36	156.00	CBCM36	156.00	CBCM36	156.00	—	—	—	—
CBCP54	190.00	CBCP54	190.00	CBCP54	190.00	CBCP54	190.00	CBCP54	190.00
—	—	—	—	—	—	—	—	—	—
MSKL4	10.90	MSKL4	10.90	MSKM4	15.80	MSKP4	29.00	MSKP4	29.00
MSKL4M	CSO	MSKL4M	CSO	MSKM4M	CSO	MSKP4M	CSO	MSKP4M	CSO
TSCPET	15.80	TSCPET	15.80	TSCPET	15.80	TSCPET	15.80	TSCPET	15.80
TSCLTM	38.50	TSCLTM	38.50	TSCMTM	38.50	—	—	—	—

CSO - Consult Sales Office for pricing.

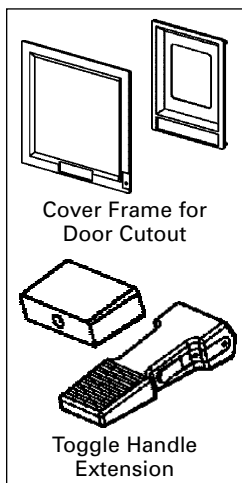
External Accessories

Ground Sensors & Electronic Accessories



Description	For DG Frame 150 A		For FG Frame 250 A	
	Catalog Number	List Price \$	Catalog Number	List Price \$
Neutral Current Transformer (Ground Sensor, N-pole)				
Neutral = 35/60A	NGSD060	402.00	—	—
Neutral = 100A	NGSF100	402.00	NGSF100	402.00
Neutral = 150A	NGSF150	402.00	NGSF150	402.00
Neutral = 250A	—	—	NGSJ250	402.00
Neutral = 400A	—	—	—	—
Neutral = 600A	—	—	—	—
Neutral = 800A	—	—	—	—
Neutral = 1000/1200A	—	—	—	—
Neutral = 1600A	—	—	—	—
Communications & Electronics				
Power Stick - Hand held, battery operated power supply for LCD trip units. (Requires two -9V batteries) For programming and trip testing only.	EPSP18V	582.00	EPSP18V	582.00
Test Kit - Portable power supply for programming, trip test, and checking CT's plus a port for local communications of currents flow and trip settings. (Requires two 9V batteries)	ELTPHB	3428.00	ELTPHB	3428.00
Universal Power Supply - 120/240Vac adapter used in lieu of 9V batteries for Test Kit ELTPHB (includes necessary cables)	UPAPELTK	537.00	UPAPELTK	537.00
Power Supply with ZSI (for Model 576 trip units only).	COMPS	2013.00	COMPS	2013.00
Com10 Profibus Communications Module with ZSI for LCD trip Model 576 only	COMPRO	2684.00	COMPRO	2684.00
Com11 Modbus Communications Module with ZSI for LCD Trip Model 576 only	COMMOD	2684.00	COMMOD	2684.00
Communications Adapter - Interface with a laptop or PC to test or program Model 545 & 576 trip units	CSAPELTU	911.00	CSAPELTU	911.00
Cable for COM10/11 and Model 576 external power supply.....5ft. (1.5m)	COMKIT1	179.00	COMKIT1	179.00
Extension cable for COMKIT1 & COMKIT2, adds 5 ft.	COMEXT	134.00	COMEXT	134.00
Spare flat cable for Test Kits or Communications Adapters	COMPCA	358.00	COMPCA	358.00
RS232 type cable for Test Kits or Communications Adapters	COMP232	179.00	COMP232	179.00

Door Cutouts & Extensions



Cover Frame for Door Cutout For fixed or plug-in mounted circuit breakers. (IP30) 2-Pole & 3-Pole	BZLF3	224.00	BZLF3	224.00
For breakers with stored energy operator. (IP40)	BZLFRHSE	224.00	BZLFRHSE	224.00
Circuit-breaker draw-out mounted and toggle handle operated. Kit includes cover frame (bezel) and escutcheon as needed. (IP40) (not for use with rotary handle or stored energy operator)	BZLFBDC	224.00	BZLFBDC	224.00
Toggle Handle Extension For spare or replacement. (One is included with each NG - PG frame.)	—	—	—	—

For JG Frame 400 A		For LG Frame 600 A		For MG Frame 800 A		For NG Frame 1200 A		For PG Frame 1600 A	
Catalog Number	List Price \$	Catalog Number	List Price \$	Catalog Number	List Price \$	Catalog Number	List Price \$	Catalog Number	List Price \$
—	—	—	—	—	—	—	—	—	—
—	—	—	—	—	—	—	—	—	—
—	—	—	—	—	—	—	—	—	—
NGSJ250	402.00	—	—	—	—	—	—	—	—
NGSL400	402.00	NGSL400	402.00	—	—	—	—	—	—
—	—	NGSM600	402.00	NGSM600	402.00	—	—	—	—
—	—	—	—	NGSN800	402.00	—	—	—	—
—	—	—	—	—	—	NGSN800	402.00	—	—
—	—	—	—	—	—	NGSP120	402.00	NGSP120	402.00
—	—	—	—	—	—	—	—	NGSP160	402.00
EPSP18V	582.00	EPSP18V	582.00	EPSP18V	582.00	EPSP18V	582.00	EPSP18V	582.00
ELTPHB	3428.00	ELTPHB	3428.00	ELTPHB	3428.00	ELTPHB	3428.00	ELTPHB	3428.00
UPAPELTK	537.00	UPAPELTK	537.00	UPAPELTK	537.00	UPAPELTK	537.00	UPAPELTK	537.00
COMPS	2013.00	COMPS	2013.00	COMPS	2013.00	COMPS	2013.00	COMPS	2013.00
COMPRO	2684.00	COMPRO	2684.00	COMPRO	2684.00	COMPRO	2684.00	COMPRO	2684.00
COMMOD	2684.00	COMMOD	2684.00	COMMOD	2684.00	COMMOD	2684.00	COMMOD	2684.00
CSAPELTU	911.00	CSAPELTU	911.00	CSAPELTU	911.00	CSAPELTU	911.00	CSAPELTU	911.00
COMKIT2	179.00	COMKIT2	179.00	COMKIT2	179.00	COMKIT1	179.00	COMKIT1	179.00
COMEXT	134.00	COMEXT	134.00	COMEXT	134.00	COMEXT	134.00	COMEXT	134.00
COMPCA	358.00	COMPCA	358.00	COMPCA	358.00	COMPCA	358.00	COMPCA	358.00
COMP232	179.00	COMP232	179.00	COMP232	179.00	COMP232	179.00	COMP232	179.00
BZLL3	224.00	BZLL3	224.00	BZLM3	279.00	BZLP3	279.00	BZLP3	279.00
BZLLRHSE	224.00	BZLLRHSE	224.00	BZLMRHSE	279.00	BZLPRHSE	279.00	BZLPRHSE	279.00
BZLLBDC	224.00	BZLLBDC	224.00	BZLMBDC	279.00	BZLPBDC	279.00	BZLPBDC	279.00
THEL	63.00	THEL	63.00	THEM	105.00	THEP	105.00	THEP	105.00