

Sentron Molded Case Circuit Breakers

External Accessories

Selection

Handle Ties

Provide simultaneous switching of 2 adjacent handles. Do not provide common trip.

For Use With Breaker Frame(s)	Catalog Number	List Price \$ each	Standard Package	Wt Lb/Std Pkg
BQ, BQH, HBQ, BLH, HBL	ECQTH3	①	50	¼

Padlocking Devices

For locking breaker in "OFF" position.

BQXD, BL, BQ, BQH, HBQ, BLH, HBL	ECQLD3	①	10	¼
One pole BL, BLF, BE, BAF	ECPLD1		10	¼
Two pole BL, BLF and BE	ECPLD2		10	¼
All QJ	HL9419		10	¼
All BQD, CQD	BQDPLD		1	⅙
NGG	HPLG		1	¼
All ED	ED2HPL		1	¼
All FD	FD6PL1		1	¼
All JD, LD, LMD	JD6HPL		1	¼
All MD, ND, PD, RD	MN6PLD		1	¼
STD	STDPLD■		1	1

Filler Plates

BQ, BQH, HBQ	QF3		1	¼
--------------	-----	--	---	---

Handle Blocking Devices

For holding breaker in "ON" or "OFF" position. Not a lockout/tagout device.

BL, BLH, HBL, BQXD, BQ, BQH, HBQ	ECQL1	①	10	¼
QJ2, QJH2, QJ2H, HQJ2H	QJHS1	①	25	1
All BQD, CQD, NGG, NGB	BQDHBD		1	¼
All ED	E2HBL		1	¼
All FD	FD6HB1		1	½
All JD, LD, LMD	JD6HBL		1	½
All MD, ND, PD, RD	MN6BL		1	½

Handle Extensions

For replacement. One extension shipped with breaker.

All MD, ND, PD, RD	EX11		1	2
STD	EXSTD■			

Terminal Shields

Breaker Type	Poles	Catalog Number	List Price \$ each	Standard Package
NGG	3	TSSG3A		1



QTH3



FD Padlocking Device
FD6PL1



Padlocking Device
QLD3



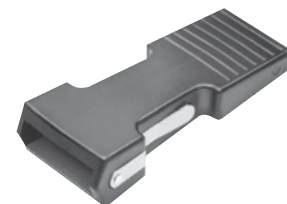
Filler Plate
QF3



FD Handle Blocking Device
FD6HB1



Handle Blocking Device
QL1



Handle Extension
EX11

■ Built to order. Allow 2-3 weeks for delivery.

① Sold only in standard package quantities.

CSO = Consult Sales Office for pricing.

Sentron Molded Case Circuit Breakers

External Accessories

Selection

Mounting Clips

For Use With Breaker Frame(s)	Number of Poles	Catalog Number	List Price \$ each	Standard Package	Wt Lb Std Pkg
BQ, BQH	1	MB120		20 ^②	¼

Face Mounting Plates

GFCI	1	FP9558		10 ^②	½
BQ, BQH, BQXD	1	FP9508		10 ^②	½
	2	FP9555		10 ^②	1
	3	FP9556		10 ^②	1½
CQD, CQD6	1	CQDFMB1		1	¼
	2	CQDFMB2■		1	¼
	3	CQDFMB3■		1	¼
NGG	1	FMPG1		1	¼
	2	FMPG2		1	¼
	3	FMPG3		1	¼

Shallow Mounting Brackets

BQ, BQH	1-6	SMB6R		30 ^{②③}	1½
---------	-----	-------	--	------------------	----

Back Mounting Plates

All QP 1 and 2-pole	1, 2	I0204ML1125		10	¼
All QP 3-pole	3	I0303ML3100		10	¼
BQ, BQH, BQXD	2	BR2		10 ^②	¼
	3	BR3		10 ^②	¼
	4	BR4		10 ^②	¼
ED2, ED4, ED6, HED4, HED6	1	E2BMB		1	¼

Mounting Screw Kits

CQD, CQD6		CQDSMK ^①		1	1¼
NGG		MSKG4 ^①		1	¼
All QJ		MSQJ ^①		1	1
All ED (CED6 requires 2 kits)		MSE6 ^①		1	¼
		MSE6100 ^②		100 ^②	1
All FD (CFD6 requires 2 kits)		MSF6 ^①		1	¼
		MSF650 ^③		50 ^③	1
All JD, LD		MSJ6 ^①		1	¼
All LMD		MSLMD		1	¼
All MD, ND,		MSMN		1	¼
All PD, RD		MSPR6		1	2

“MI” Mechanical Interlocks

For Use With Breaker Type(s)	Panel Mounted	Plug-in Mounted	List Price \$ each	Standard Package	Wt Lb Std Pkg
BQ	—	ECQML12		10 ^②	¼
All QJ	CSO	—	—	1	1
All FD	MI5444	MI5444			—
All JD, LD	MI5413 ^④	—		Complete with two breakers	1
All LMD	MI5406 ^④ ■	—		1	1
All MD	MI5404 ^④ ■	—		1	3
All ND	MI5404 ^④ ■	—		1	3
All PD, RD	MI5405 ^④ ▲	—		—	—
STD	STDMIF32▲	—		—	—

■ Built to order. Allow 2-3 weeks for delivery.

▲ Built to order. Allow 6-8 weeks for delivery.

④ Kit consists of 4 screws and washers.

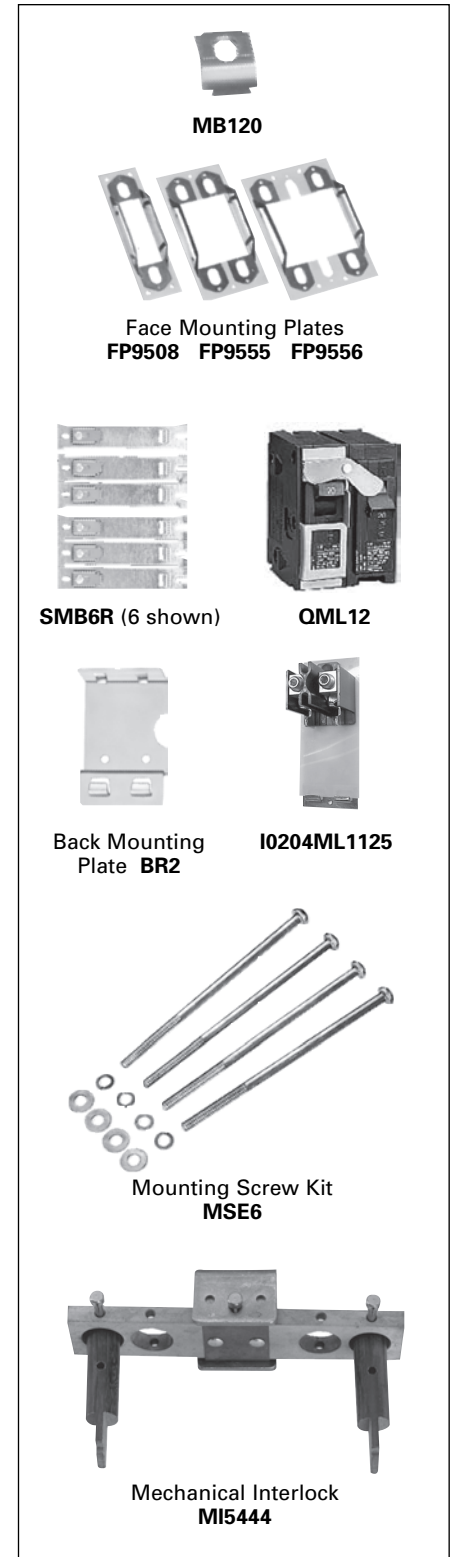
② Consists of 1 screw and washers (order 100).

③ Consists of 1 screw and washers (order 50).

② With mechanical interlock in place, no accessory can be installed into circuit breaker right pole.

③ Addition of the mechanical interlock will prevent accessory installation in the left pole.

④ Sold only in standard package quantities. Multiply List Price Each times package quantity for full price.



MB120

Face Mounting Plates
FP9508 FP9555 FP9556

SMB6R (6 shown)

QML12

Back Mounting
Plate BR2

I0204ML1125

Mounting Screw Kit
MSE6

Mechanical Interlock
MI5444

② Each package contains 5 strips of 6 each. Each strip can be broken at perforations for 1, 2 or 3-pole use.

③ Mechanical interlock is not designed for use within Siemens panelboards.

CSO = Consult Sales Office for pricing.

Sentron Molded Case Circuit Breakers

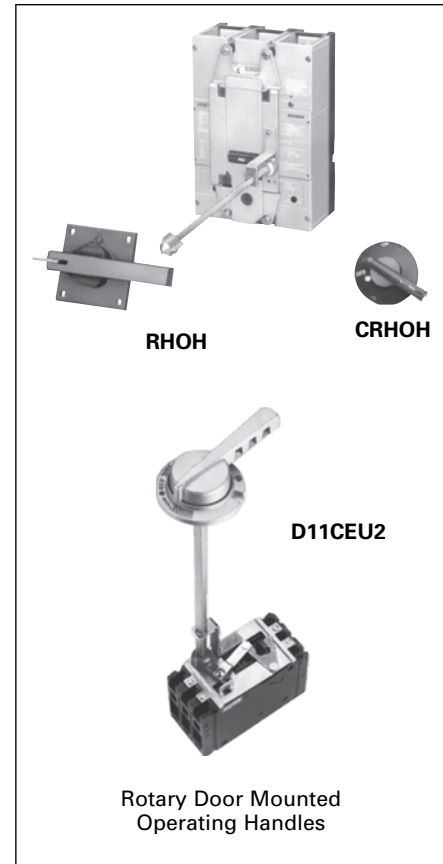
External Accessories

Selection

Rotary Door Mounted Operating Handles

Types 1, 3, 3R, 12, 4 4X

For Use With Breaker Frames	Complete Mechanism			Handle Only		Breaker Operator		Shaft Only		
	Standard Depth	Variable Depth	List Price \$	Catalog Number	List Price \$	Catalog Number	List Price \$	Length (inches)	Catalog Number	List Price \$
ED ^①	CRHOESD	CRHOEVD		CRHOH ^③		RHOEBO		2	RHOSSD	
FD	CRHOFSD	CRHOFVD				RHOFBO		12	RHOSVD	
JD, LD	CRHOJSD	CRHOJVD				RHOJBO		16	RHOSXD	
LMD	CRHOLMSD	CRHOLMVD				RHOLMBO				
MD, ND PD, RD	RHONSD	RHONVD		RHOH		RHONBO ^④		3 12 24	RHONSSD▲ RHONSVD RHONSXD	



Rotary Door Mounted Operating Handles

Types 1 & 12

For Use With Breaker Frames	Standard Depth		Variable Depth		Handle and Shaft		Breaker Operator	
	Catalog Number	List Price \$	Catalog Number	List Price \$	Catalog Number	List Price \$	Catalog Number	List Price \$
CQD, NGG	—	—	RHOCQVD		RHOH62		CQDOP	
ED	D11CEU1		D11CEU2		—	—	—	—
FD	D11CFU1▲		D11CFU2		—	—	—	—
JD, LD	—	—	D11CJU2		—	—	—	—

For CQD and NGG red emergency handle, order assembly RHOCQVDE (includes handle and operator).▲
 For CQD and NGG in a NEMA 3R enclosure, order CQDOP34 operator (\$), RHOH handle and RHOSVD shaft.
 For CQD and NGG in a NEMA 4 or 4X enclosure, order CQDOP34 operator, RHOH4 handle and RHOSVD shaft.

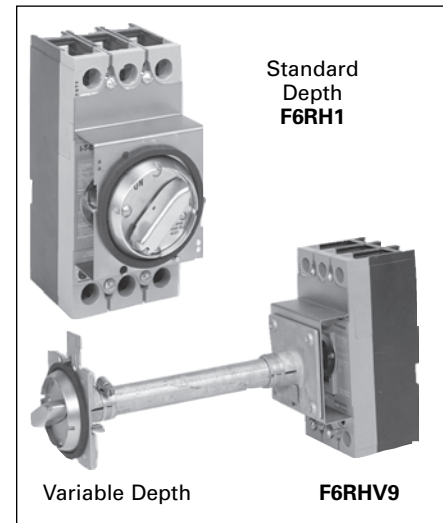
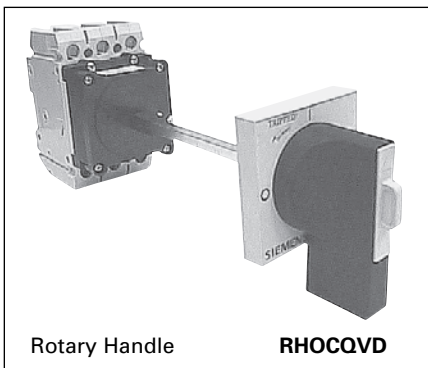
Through Door Mounted Operating Handles^②

Types 1 & 12

For Use With Breaker Frames	Standard Depth		Variable Depth	
	Catalog Number	List Price \$	Catalog Number	List Price \$
CQD, NGG	FMHOS		—	—
QJ	OH9498■		VH9499	
ED	E2RH1		E2RHV9	
FD	F6RH1		F6RHV9	

Door Latch Kits

Type	Catalog Number Right Hand	List Price \$	Catalog Number Left Hand	List Price \$
2 point latch	DKR2		DKL2■	
3 point latch	DKR3		DKL3■	



■ Built to order. Allow 2-3 weeks for delivery.

▲ Built to order. Allow 6-8 weeks for delivery.

① For use on 3-pole ED frame only.

② Meets the requirements of NFPA 79, section 5.3.3.1 for locking external operator disconnecting devices.

③ For 3 or 3R, order shaft and breaker operator as shown, and handle RHOH. For 4 & 4X, order handle RHOH4. List Price adder.

④ For extended shaft support order catalog number RHONSB2.

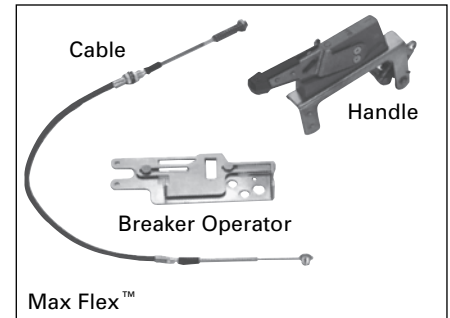
Sentron Molded Case Circuit Breakers

External Accessories

Selection

Max-Flex™, Flange Mounted Variable Depth Operators^③

Frames	NEMA Type	Complete Kit		Handle Only		Breaker Operator		36" Cable	
		Catalog Number	List Price \$	Catalog Number	List Price \$	Catalog Number	List Price \$	Catalog Number	List Price \$
ED	1, 3 (R), 12	FHOE036 ^①		FHOH		FHOEBO ^①		FHOEC036	
	4 (x)	—	—	FHOH4					
FD	1, 3 (R), 12	FHOF036		FHOH		FHOFBO		FHOFC036	
	4 (x)	—	—	FHOH4					
JD, LD, SJD, SLD	1, 3 (R), 12	FHOJ036		FHOH		FHOJBO		FHOJC036	
	4 (x)	—	—	FHOH4					
LMD	1, 3 (R), 12	FHOLM036		FHOH		FHOLMBO		FHOJC036	
	4 (x)	—	—	FHOH4					
MD, ND, PD, RD, SMD, SND, SPD	1, 3 (R), 12	FHON048		FHOHN		FHONBO		FHONC048 ^②	
	4 (x)	—	—	FHOHN4					



Max-Flex™ handles are available with solid black handles instead of the customary "red for on" flange handle. These are preferred for use in IEC markets, where red handles have specific meaning. Order components separately, appending the letter "i" to the catalog number (e.g. FHOHI).

Alternate Length Cable Only

Inches	ED		FD		JD/LD/LMD		MD/ND/PD/RD	
	Catalog Number	List Price \$	Catalog Number	List Price \$	Catalog Number	List Price \$	Catalog Number	List Price \$
48	FHOEC048		FHOF048		FHOJC048		FHONC048	
60	FHOEC060		FHOF060		FHOJC060		FHONC060	
72	FHOEC072		FHOF072		FHOJC072		FHONC072	
84	FHOEC084▲		FHOF084▲		FHOJC084▲		FHONC084▲	
96	FHOEC096		FHOF096		FHOJC096		FHONC096	
120	FHOEC120▲		FHOF120		FHOJC120▲		FHONC120▲	
144	FHOEC144▲		FHOF144▲		FHOJC144▲		FHONC144▲	

Handle Auxiliary Switch

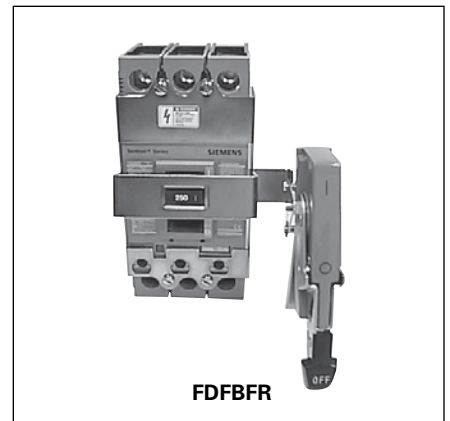
For use with Max-Flex and Rotary Door operators (FHOH and RHOH). 1 NO and 1 NC contact (Form C).

For Use With	Catalog Number	List Price \$
ED, FD, JD, LD, LMD, ND, PD, RD, SD, Max Flex	HAS1	

Fixed Depth Flange Mounting

Frames	Minimum Enclosure Depth	NEMA Type	Left Hand Mount		Right Hand Mount	
			Catalog Number	List Price \$	Catalog Number	List Price \$
ED	6.44	1, 3R, 12	FDFBEL▲		FDFBER▲	
			FDFBEL4▲		FDFBER4▲	
FD	6.44	1, 3R, 12	FDFBFL▲		FDFBFR▲	
			FDFBFL4▲		FDFBFR4▲	

Max-Flex™ handles are available with solid black handles instead of the customary "Red for On" flange handle. These are preferred for use in IEC markets, where red handles have specific meaning. Order components separately, appending the letter "i" to the catalog number (e.g. FHOHI).



▲ Built to order. Allow 6–8 weeks for delivery.

① For 1- or 2-pole breaker order FHOED036 complete kit or FHOEDBO breaker operator only. Use MFHM3R handle.

② 48 inch cable is standard length for M through R frame Max-Flex operators.

③ Meets requirements of NFPA 79, section 5.3.3.1 for locking external operator disconnecting devices

Sentron Molded Case Circuit Breakers

External Accessories

Selection/Dimensions

Telemand® Motor Operator

Breaker Frame	AC Voltage	Hinged to Open Down	List Price \$
ED except CED	120	MOE6120	
	240	MOE6240▲	

ED motor operator opens downward.

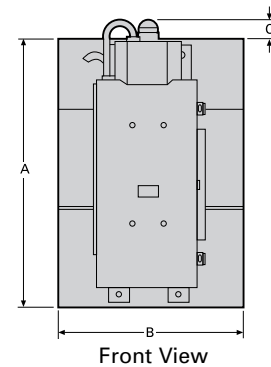
Breaker Frame	DC Voltage	Hinged to Open Right	List Price \$	AC Voltage	Hinged to Open Right	List Price \$
FD	24	MOF6024DC▲		120	MOF6120	
	48	MOF6048DC▲		240	MOF6240	
	125	MOF6125DC▲				
JD, LD	24	MOJ6024DC▲		120	MOJ6120	
	48	MOJ6048DC▲		240	MOJ6240	
	125	MOJ6125DC▲				
LMD	24	MOLMD6024DC▲		120	MOLMD6120	
	48	MOLMD6048DC▲		240	MOLMD6240	
	125	MOLMD6125DC▲				
MD, ND, PD, RD	—	—	—	120	MOMN6120	
	—	—	—	240	MOMN6240	

To order FD through RD motor operators with Left side hinges, add "L" to catalog number (e.g. MOF6120L). List prices are the same.▲

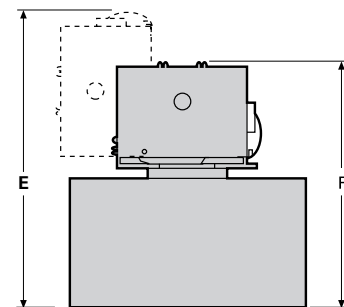


Telemand Motor Operator

FD, JD, LD, LMD, MD, ND, PD, RD Frames



Front View



Bottom View

Dimensions

Frame	A	B	C	D	E	F
ED	7.04	4.31	—	4.31	13.84	8.84
FD	9.50	4.55	1.60	6.84	9.70	7.58
JD, LD, LMD	11.00	7.50	0.79	8.34	9.85	7.74
MD, ND, PD, RD	16.00	9.00	—	9.83	13.13	10.13

Operating Currents

Catalog Number	On			Off			Reset (Amps)
	In-Rush (Amps)	Running (Amps)	Time (msec)	In-Rush (Amps)	Running (Amps)	Time (msec)	
MOE6120	10.25	2.3	550	10	2.3	400	2.3
MOE6240	5.2	1.1	500	5	1	330	1.1
MOF6120/L	13.6	5.5	200	13.6	5.5	175	5.5
MOF6240/L	7.6	3.5	200	7.6	3.5	185	3.5
MOLMD6120/L	13.6	6	210	13.6	6	185	6
MOJ6120/L	13.6	6	210	13.6	6	185	6
MOJ6240/L	7.6	3.5	217	7.6	3.5	185	3.5
MOMN6120/L	30.2	13.2	240	30.2	13.2	210	13.2
MOMN6240/L	14.7	6	260	14.7	6	230	6

For inches / millimeters conversion, see Application Data section.

▲ Built to order. Allow 6–8 weeks for delivery.

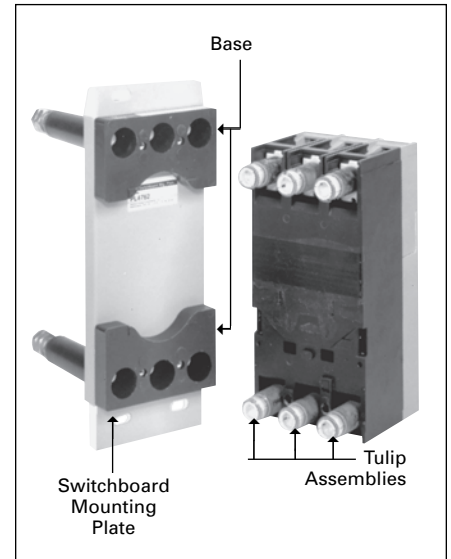
Sentron Molded Case Circuit Breakers

External Accessories

Selection

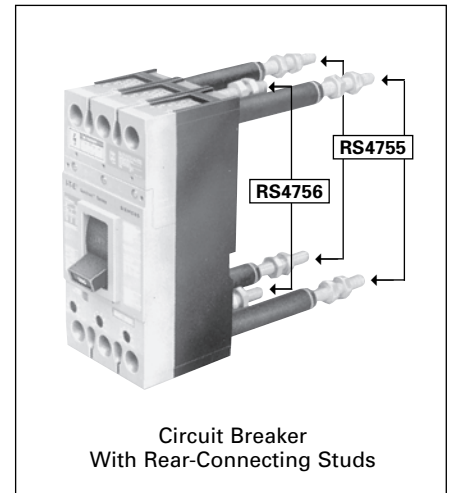
Plug-In Mounting Assemblies, Including Base and Tulip Assemblies

For Use With Breaker Frames	Poles	Line Side		Load Side		Steel Switchboard Mounting Plate ^① Catalog Number
		Catalog Number ^②	List Price \$	Catalog Number ^②	List Price \$	
All ED except CED	2	PC2637▲		PC2638▲		PL2616
	3	PC2657		PC2658		
CED	2	PC2637▲		PC2638▲		PL2617
	3	PC2657		PC2658		
All FD except CFD	2	PC4753▲		PC4753▲		PL4762
	3	PC4754		PC4754		
CFD	2	PC4753▲		PC4753▲		PL4763
	3	PC4754		PC4754		
All JD except CJD	2	PC5777▲		PC5777▲		PL5796
	3	PC5778		PC5778		
Kit CJD, SCJD	3	PCCJD		PCCJD		PL5797
All LD except CLD	2	PC5660▲		PC5660▲		PL5680
	3	PC5661		PC5661		
Kit CLD, SCLD	3	PCCLD		PCCLD		PL5797
All MD	2	PC5662▲		PC5662▲		PL9698
	3	PC5663		PC5663		
All ND	2	PC5664 ^③ ▲		PC5664 ^③ ▲		PL9699
	3	PC5666 ^③		PC5666 ^③		



Tulip Assemblies Separately

For Frame	2-Pole		3-Pole	
	Catalog Number	List Price \$	Catalog Number	List Price \$
ED	TCE2▲		TCE3▲	
FD	TCF2▲		TCF3▲	
JD	TCJ2▲		TCJ3▲	
LD	TCL2▲		TCL3▲	
MD	TCM2▲		TCM3▲	
ND	TCN2▲		TCN3▲	



Rear-Connecting Studs

For Use With Breaker Frames	Ampere Rating	Description	Extension Behind Breaker (inches)	Line Side		Load Side	
				Catalog Number	List Price \$ ^④	Catalog Number	List Price \$ ^④
All ED	100	Line Side (Short)	2.38	RS2643 ^⑤ ▲	—	—	—
	100	Load Side (Short)	2.38	—	—	RS2644 ^⑤ ▲	—
	100	Line Side (Long)	4.88	RS2641 ^⑤ ▲	—	—	—
	100	Load Side (Long)	4.88	—	—	RS2642 ^⑤ ▲	—
All FD	250	Short	3.12	RS4756 ^⑤ ▲		RS4756 ^⑤ ▲	
	250	Long	7.06	RS4755 ^⑤ ▲		RS4755 ^⑤ ▲	
All JD	400	Short	5.85	RS5774▲		RS5774▲	
	400	Long	11.20	RS5773▲		RS5773▲	
All LD	600	Short	5.85	RS5784▲		RS5784▲	
	600	Long	11.20	RS5783▲		RS5783▲	
CJD, SCJD CLD, SCLD	Add required shield kit.					CLRSJL3	
LM(X)D6, HLM(X)D6	800	Short	5.85	RS5788▲		RS5788▲	
		Long	11.20	RS5787▲		RS5787▲	
All MD, ND	1200	Short	5.50	RS5786▲		RS5786▲	
	1200	Long	8.00	RS5785▲		RS5785▲	

▲ Built to order. Allow 6–8 weeks for delivery.

①Furnished at no extra charge when ordered with plug-in mounting assembly.

②Each piece catalog number consists of (1) mounting block assembly and required tulip assemblies (2) for 2-pole, (3) for 3-pole

③For vertical bus mounting — for horizontal, substitute PC5665 for PC5664 and PC5667 for PC5666.

④Price includes one current stud, insulating tube, stud nuts and terminal shields, when required.

⑤For proper electrical clearance, studs must alternate between short and long stud lengths on circuit breaker poles (e.g. SLSLSL or LSLLSL).