

Sentron® Busway Systems

Fusible Cubicles, Molded Case Circuit Breaker Cubicles

Selection

Fusible Cubicles^{①③}

3-Pole, 600V/4-Pole, 480/277V

Ampere Ratings:
200
400
600
800
1200

Bolted Pressure Switches^③

3-Pole 480V, 4-Pole 480V,
3-Pole 600V or 4-Pole 600V

Ampere Ratings:
800
1200
1600
2000
2500
3000
4000

Solid State Molded Case Circuit Breaker Cubicles^③

3-Pole, 600V or 4-Pole 480/277V

Breaker Frame	Ampere Rating
SJD6 SJD6G SJD6NT SJD6NGT	200–400
SLD6 SLD6G SLD6NT SLD6NGT	300–600
SMD6A SMD6AG SMD6ANT SMD6ANGT	600–800
SND6A SND6AG SND6ANT SND6ANGT	800–1200
SPD6 SPD6G SPD6NT SPD6NGT	1400–1600

Molded Case Circuit Breaker Cubicles

3-Pole, 600V or 4-Pole 480/277V

Breaker Frame	Ampere Rating
JD6	200–400
LD6	300–600
MD6	600–800
ND6	800–1200
PD6	1400–1600
RD6	1800–2000

Current-Limiting

3-Phase, 600V AC or 120/280V AC,
277/480V AC

Breaker Type	Ampere Rating
CJD6	150–225 250–400
CLD6	450–600
CMD6	400–800 800 1000
CPD6	1200 1400 1600
CRD6	1800 2000

① Fuses not included.

② For electrically operated, specify control voltage.

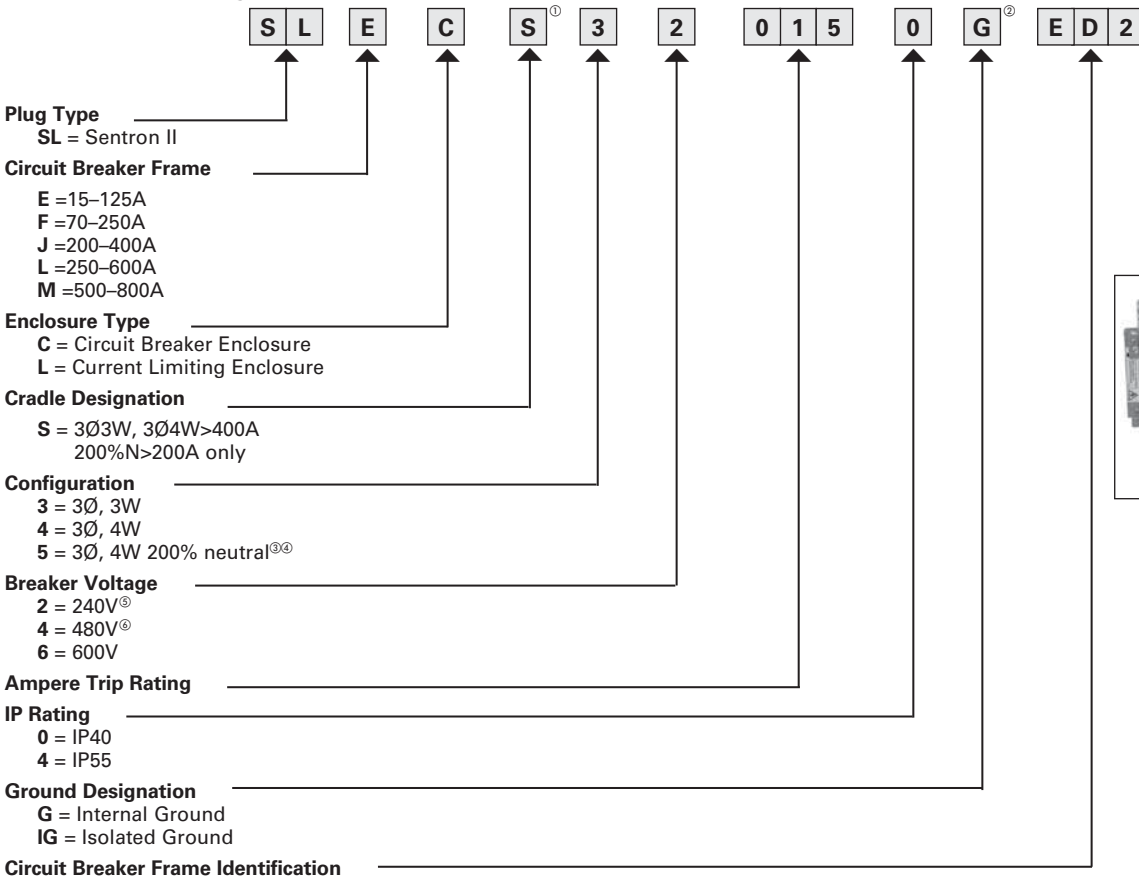
③ IP40 and IP55

Sentron® Bus Plugs

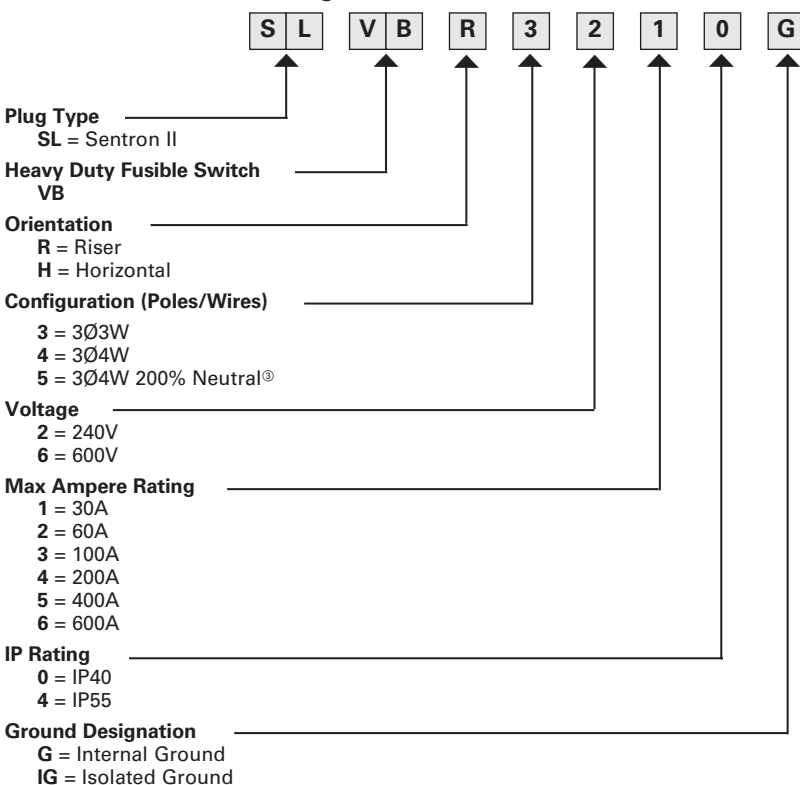
Catalogue Numbering System

Selection / Application

Sentron Bus Plugs—Circuit Breaker (Installed)



Sentron SLVB Bus Plugs—Fusible



① The S digit is only used on 3- and 4-wire (100%N) plugs that are greater than 400A and 200%N plugs greater than 200A. Lower amperage plugs do not require this digit. (Ex. SLID3610, SLEC32060ED2)

② The G and IG digits are used to specify internal and isolated ground respectively. Integral (housing) ground plugs do not require this digit. (Ex. SLID3610, SLEC360150ED6)

③ Available through 400A only.

④ Available with E, F and J Frame breakers only.

⑤ Available with ED2 breakers only.

⑥ Available with ED4 and HHED6 breakers only.

Sentron® SLVB Bus Plugs

Bus Plugs / Fusible Plugs

Selection

Ampere Rating	Catalogue Number
---------------	------------------

3-Pole, 250 Volt^①

30A	SLVB*3210 SLVB*3210G SLVB*3210IG
60A	SLVB*3220 SLVB*3220G SLVB*3220IG
100A	SLVB*3230 SLVB*3230G SLVB*3230IG
200A	SLVB*3240 SLVB*3240G SLVB*3240IG
400A ^②	SLVB*3250 SLVB*3250G SLVB*3250IG
600A ^②	SLVB*3260 SLVB*3260G SLVB*3260IG

Ampere Rating	Catalogue Number
---------------	------------------

3-Pole, 600 Volt^①

30A	SLVB*3610 SLVB*3610G SLVB*3610IG
60A	SLVB*3620 SLVB*3620G SLVB*3620IG
100A	SLVB*3630 SLVB*3630G SLVB*3630IG
200A	SLVB*3640 SLVB*3640G SLVB*3640IG
400A ^②	SLVB*3650 SLVB*3650G SLVB*3650IG
600A ^②	SLVB*3660 SLVB*3660G SLVB*3660IG

Ampere Rating	Catalogue Number	Catalogue Number
---------------	------------------	------------------

4-Pole, 250 Volt, ^①

200% Neutral^①

30A	SLVB*4210 SLVB*4210G SLVB*4210IG	SLVB*5210 SLVB*5210G SLVB*5210IG
60A	SLVB*4220 SLVB*4220G SLVB*4220IG	SLVB*5220 SLVB*5220G SLVB*5220IG
100A	SLVB*4230 SLVB*4230G SLVB*4230IG	SLVB*5230 SLVB*5230G SLVB*5230IG
200A	SLVB*4240 SLVB*4240G SLVB*4240IG	SLVB*5240 SLVB*5240G SLVB*5240IG
400A ^②	SLVB*4250 SLVB*4250G SLVB*4250IG	SLVB*5250 SLVB*5250G SLVB*5250IG
600A ^②	SLVB*4260 SLVB*4260G SLVB*4260IG	

Ampere Rating	Catalogue Number	Catalogue Number
---------------	------------------	------------------

4-Pole, 600 Volt, ^①

200% Neutral^①

30A	SLVB*4610 SLVB*4610G SLVB*4610IG	SLVB*5610 SLVB*5610G SLVB*5610IG
60A	SLVB*4620 SLVB*4620G SLVB*4620IG	SLVB*5620 SLVB*5620G SLVB*5620IG
100A	SLVB*4630 SLVB*4630G SLVB*4630IG	SLVB*5630 SLVB*5630G SLVB*5630IG
200A	SLVB*4640 SLVB*4640G SLVB*4640IG	SLVB*5640 SLVB*5640G SLVB*5640IG
400A ^②	SLVB*4650 SLVB*4650G SLVB*4650IG	SLVB*5650 SLVB*5650G SLVB*5650IG
600A ^②	SLVB*4660 SLVB*4660G SLVB*4660IG	

Note: Replace * in catalogue number with "H" for horizontal applications and "R" for riser applications.

Ground Detector And Potentializer Plug

Description	Catalogue Number
For 2 or 3-pole 240 and 480 volt service. (IP40 construction only)	SLPGR3140G

Note: Available in IP40 construction only.

Description	Catalogue Number
Spring Kit	SXSK

Note: Used on 400A and larger bus plugs that require auxiliary support and that are mounted on vertical/riser busway. Kit contains two springs (part number 32-9909-04). One kit required per bus plug.

Fuse Adapter Kits

Switch Rating	Std Fuse Class	Class R Catalogue Number	Class T Catalogue Number	Class J Catalogue Number
---------------	----------------	--------------------------	--------------------------	--------------------------

250V

30A	H, K	SLR2030		
60A	H, K	SLR2060		
100A	H, K	SLR2100	SLT2100	
200A	H, K	SLR2200	SLT2200	
400A ^②	H, K, J	SLR2400	SLT2400	
600A ^②	H, K, J	SLR2600	SLT2600	SLJ2600

600V

30A	H, K, J	SLR6030		
60A	H, K, J	SLR6060		
100A	H, K, J	SLR6100	SLT6100	
200A	H, K, J	SLR6200	SLT6200	
400A ^②	H, K, J	SLR6400	SLT6400	
600A ^②	H, K, J	SLR6600	SLT6600	SLJ6600

① All plugs shown are rated IP40; if IP55 rating is desired, substitute a "4" for "0" in position 8.

② 400A and larger bus plugs require auxiliary support. See also SXSK Spring Kit.

Sentron® Bus Plugs

Bus Plugs with Standard Circuit Breakers ①②③④

Selection

Ampere Rating	Catalogue Number
---------------	------------------

E Frame 3-Pole, 240 Volt, ED2 Breaker

15-60A	SLEC32***0ED2 SLEC32***0GED2 SLEC32***0IGED2
70-100A	SLEC32***0ED2 SLEC32***0GED2 SLEC32***0IGED2

E Frame 3-Pole, 480 Volt, ED4 Breaker

15-60A	SLEC34***0ED4 SLEC34***0GED4 SLEC34***0IGED4
70-100A	SLEC34***0ED4 SLEC34***0GED4 SLEC34***0IGED4
110-125A	SLEC34***0ED4 SLEC34***0GED4 SLEC34***0IGED4

E Frame 3-Pole, 600 Volt, ED6 Breaker

15-60A	SLEC36***0ED6 SLEC36***0GED6 SLEC36***0IGED6
70-100A	SLEC36***0ED6 SLEC36***0GED6 SLEC36***0IGED6
110-125A	SLEC36***0ED6 SLEC36***0GED6 SLEC36***0IGED6

F Frame 3-Pole, 600 Volt, FXD6 Breaker

70-225A	SLFC36***0FXD6 SLFC36***0GFXD6 SLFC36***0IGFXD6
250A	SLFC362500FXD6 SLFC362500GFXD6 SLFC362500IGFXD6

J Frame 3-Pole, 600 Volt, JXD6 Breaker

200-400A ^④	SLJC36***0JXD6 SLJC36***0GJXD6 SLJC36***0IGJXD6
-----------------------	---

L Frame 3-Pole, 600 Volt, LXD6 Breaker

450-600A ^④	SL LCS36***0LXD6 SL LCS36***0GLXD6 SL LCS36***0IGLXD6
-----------------------	---

M Frame 3-Pole, 600 Volt, MXD6 Breaker

500-800A ^④	SLMCS36***0MXD6 SLMCS36***0GMXD6 SLMCS36***0IGMXD6
-----------------------	--

Ampere Rating	Catalogue Number	Ampere Rating	Catalogue Number
---------------	------------------	---------------	------------------

E Frame 4-Pole, 240 Volt, ED2 Breaker

15-60A	SLEC42***0ED2 SLEC42***0GED2 SLEC42***0IGED2	15-60A	SLEC52***0ED2 SLEC52***0GED2 SLEC52***0IGED2
70-100A	SLEC42***0ED2 SLEC42***0GED2 SLEC42***0IGED2	70-100A	SLEC52***0ED2 SLEC52***0GED2 SLEC52***0IGED2

E Frame 200% Neutral

E Frame 4-Pole, 480 Volt, ED4 Breaker

15-60A	SLEC44***0ED4 SLEC44***0GED4 SLEC44***0IGED4	15-60A	SLEC54***0ED4 SLEC54***0GED4 SLEC54***0IGED4
70-100A	SLEC44***0ED4 SLEC44***0GED4 SLEC44***0IGED4	70-100A	SLEC54***0ED4 SLEC54***0GED4 SLEC54***0IGED4
110-125A	SLEC44***0ED4 SLEC44***0GED4 SLEC44***0IGED4	110-125A	SLEC54***0ED4 SLEC54***0GED4 SLEC54***0IGED4

E Frame 200% Neutral

E Frame 4-Pole, 600 Volt, ED6 Breaker

15-60A	SLEC46***0ED6 SLEC46***0GED6 SLEC46***0IGED6	15-60A	SLEC56***0ED6 SLEC56***0GED6 SLEC56***0IGED6
70-100A	SLEC46***0ED6 SLEC46***0GED6 SLEC46***0IGED6	70-100A	SLEC56***0ED6 SLEC56***0GED6 SLEC56***0IGED6
110-125A	SLEC46***0ED6 SLEC46***0GED6 SLEC46***0IGED6	110-125A	SLEC56***0ED6 SLEC56***0GED6 SLEC56***0IGED6

E Frame 200% Neutral

F Frame 4-Pole, 600 Volt, FXD6 Breaker

70-225A	SLFC46***0FXD6 SLFC46***0GFXD6 SLFC46***0IGFXD6	70-200A	SLFC56***0FXD6 SLFC56***0GFXD6 SLFC56***0IGFXD6
250A	SLFC462500FXD6 SLFC462500GFXD6 SLFC462500IGFXD6	225-250A	SLFC56***0FXD6 SLFC56***0GFXD6 SLFC56***0IGFXD6

F Frame 200% Neutral

J Frame 4-Pole, 600 Volt, JXD6 Breaker

200-400A ^④	SLJC46***0JXD6 SLJC46***0GJXD6 SLJC46***0IGJXD6	200A ^④	SLJC562000JXD6 SLJC562000GJXD6 SLJC562000IGJXD6
		225-400A ^④	SLJCS56***0JXD6 SLJCS56***0GJXD6 SLJCS56***0IGJXD6

J Frame 200% Neutral

L Frame 4-Pole, 600 Volt, LXD6 Breaker

450-600A ^④	SL LCS46***0LXD6 SL LCS46***0GLXD6 SL LCS46***0IGLXD6
-----------------------	---

M Frame 4-Pole, 600 Volt, MXD6 Breaker

500-800A ^④	SLMCS46***0MXD6 SLMCS46***0GMXD6 SLMCS46***0IGMXD6
-----------------------	--

Description	Catalogue Number
Spring Kit	SXSK

NOTE: Used on 400A and larger bus plugs that require auxiliary support and that are mounted on vertical/riser busway. Kit contains two springs (part number 32-9909-04). One kit required per bus plug.

① Replace "****" with breaker trip rating.
Example: SLEC36060ED6, for 60A trip.

② All plugs shown have an IP40 rating, if IP54/55 is desired substitute "4" for "0" in position 10 (or 11 for cradle plugs):

E Frame: Ex. SLEC360604ED6
F Frame: Ex. SLFC360704FXD6
J Frame: Ex. SLJC36100JXD6
L Frame: Ex. SL LCS365004LXD6
M Frame: Ex. SLMCS368004MXD6

③ For the following breaker charges, change the catalog number suffix:

15-60A: HHED6 Ex. SLEC36***0HHED6
70-100A: HHED6 Ex. SLEC36***0HHED6
110-125A: HHED6 Ex. SLEC36***0HHED6
F Frame: FD6 Ex. SLFC36***0FD6
F Frame: HFD6 Ex. SLFC36***0HFD6
J Frame: JD6 Ex. SLJC36***0JD6
J Frame: HJD6 Ex. SLJC36***0HJD6
L Frame: LD6 Ex. SL LCS36***0LD6
L Frame: HLD6 Ex. SL LCS36***0HLD6
M Frame: MD6 Ex. SLMCS36***0MD6
M Frame: HMD6 Ex. SLMCS36***0HMD6

④ 400A and larger bus plugs that require auxiliary support. See also SXSK Spring Kit.

Sentron® Bus Plugs

Bus Plugs with Current Limiting Circuit Breakers ①②

Selection

Ampere Rating	Catalogue Number
---------------	------------------

E Frame 3-Pole, 600 Volt, CED6 Breaker

15-60A	SLEL36***0CED6 SLEL36***0GCED6 SLEL36***0IGCED6
70-100A	SLEL36***0CED6 SLEL36***0GCED6 SLEL36***0IGCED6
110-125A	SLEL36***0CED6 SLEL36***0GCED6 SLEL36***0IGCED6

F Frame 3-Pole, 600 Volt, CFD6 Breaker

100-225A	SLFL36***0CFD6 SLFL36***0GCFD6 SLFL36***0IGCFD6
250A	SLFL362500CFD6 SLFL362500GCFD6 SLFL362500IGCFD6

J Frame 3-Pole, 600 Volt, CJD6 Breaker

200-400A ^③	SLJL36***0CJD6 SLJL36***0GCJD6 SLJL36***0IGCJD6
-----------------------	---

L Frame 3-Pole, 600 Volt, CLD6 Breaker

450-600A ^③	SLLS36***0CLD6 SLLS36***0GCLD6 SLLS36***0IGCLD6
-----------------------	---

Ampere Rating	Catalogue Number	Ampere Rating	Catalogue Number
---------------	------------------	---------------	------------------

E Frame 4-Pole, 600 Volt, CED6 Breaker

15-60A	SLEL46***0CED6 SLEL46***0GCED6 SLEL46***0IGCED6	15-60A	SLEL56***0CED6 SLEL56***0GCED6 SLEL56***0IGCED6
70-100A	SLEL46***0CED6 SLEL46***0GCED6 SLEL46***0IGCED6	70-100A	SLEL56***0CED6 SLEL56***0GCED6 SLEL56***0IGCED6
110-125A	SLEL46***0CED6 SLEL46***0GCED6 SLEL46***0IGCED6	110-125A	SLEL56***0CED6 SLEL56***0GCED6 SLEL56***0IGCED6

F Frame 4-Pole, 600 Volt, CFD6 Breaker

100-225A	SLFL46***0CFD6 SLFL46***0GCFD6 SLFL46***0IGCFD6	70-200A	SLFL56***0CFD6 SLFL56***0GCFD6 SLFL56***0IGCFD6
250A	SLFL462500CFD6 SLFL462500GCFD6 SLFL462500IGCFD6	225-250A	SLFL56***0CFD6 SLFL56***0GCFD6 SLFL56***0IGCFD6

J Frame 4-Pole, 600 Volt, CJD6 Breaker

200-400A ^③	SLJL46***0CJD6 — SLJL46***0GCJD6 — SLJL46***0IGCJD6 —	200A ^③	SLJL562000CJD6 SLJL562000GCJD6 SLJL562000IGCJD6
		225-400A ^③	SLJLS56***0CJD6 SLJLS56***0GCJD6 SLJLS56***0IGCJD6

L Frame 4-Pole, 600 Volt, CLD6 Breaker

450-600A ^③	SLLS46***0CLD6 SLLS46***0GCLD6 SLLS46***0IGCLD6
-----------------------	---

① Replace "****" with breaker trip rating.

Example: SLEC36060ED6, for 60A trip.

② All plugs shown have an IP40 rating, if IP54/55 is desired, substitute "4" for "0" in position 10 (or 11 for cradle plugs):

E Frame: Ex. SLEC36060ED6
F Frame: Ex. SLFC360704FXD6
J Frame: Ex. SLJC361004JXD6
L Frame: Ex. SLLCS365004LXD6
M Frame: Ex. SLMCS368004MXD6

③ 400A and larger bus plugs that require auxiliary support. See also SXSX Spring Kit.

Sentron® Bus Plugs

Circuit Breaker Bus Plugs Dimensions and Weights

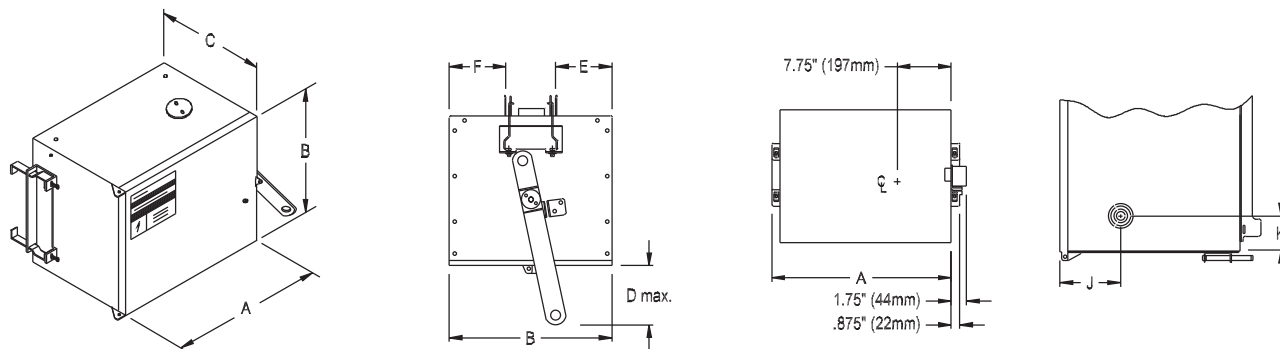
Selection

Circuit Breaker Bus Plugs, Dimensions and Weights (Enclosure only)

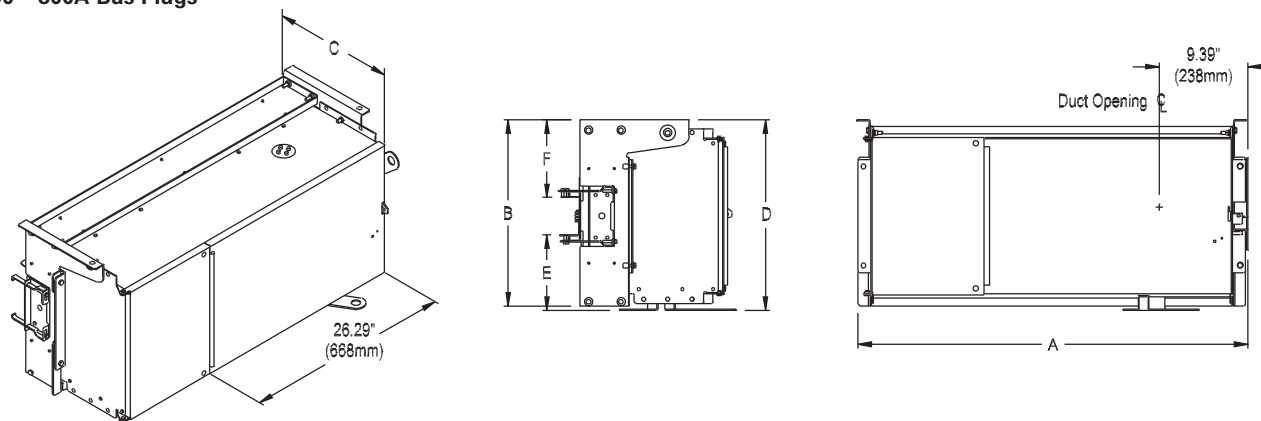
Ampere Rating	Dimensions - Inches (mm)								Weight lbs (kg)
	"A"	"B"	"C"	"D" max.	"E"	"F"	"J"	"K"	
125	15.13 (384)	10.18 (259)	9.75 (248)	1.60 (41)	2.50 (64)	2.50 (64)	3.50 (89)	2.25 (57)	35 (15.87)
250	20.25 (514)	10.18 (259)	9.75 (248)	1.60 (41)	2.50 (64)	2.50 (64)	3.25 (83)	3.25 (83)	50 (22.68)
400	21.75 (552)	16.75 (425)	11.75 (298)	1.60 (41)	5.75 (146)	5.75 (146)	4.00 (102)	3.25 (83)	83 (37.64)
600	41.50 (1054)	19.75 (502)	15.75 (400)	2.31 (59)	7.00 (178)	7.75 (197)	—	—	130 (58.97)
800	41.50 (1054)	19.75 (502)	15.75 (400)	2.31 (59)	7.00 (178)	7.75 (197)	—	—	177 (80.29)

BUSWAY SYSTEMS 13

125 – 400A Bus Plugs



600 – 800A Bus Plugs



Circuit Breaker Bus Plugs, Load Lugs and Knockouts

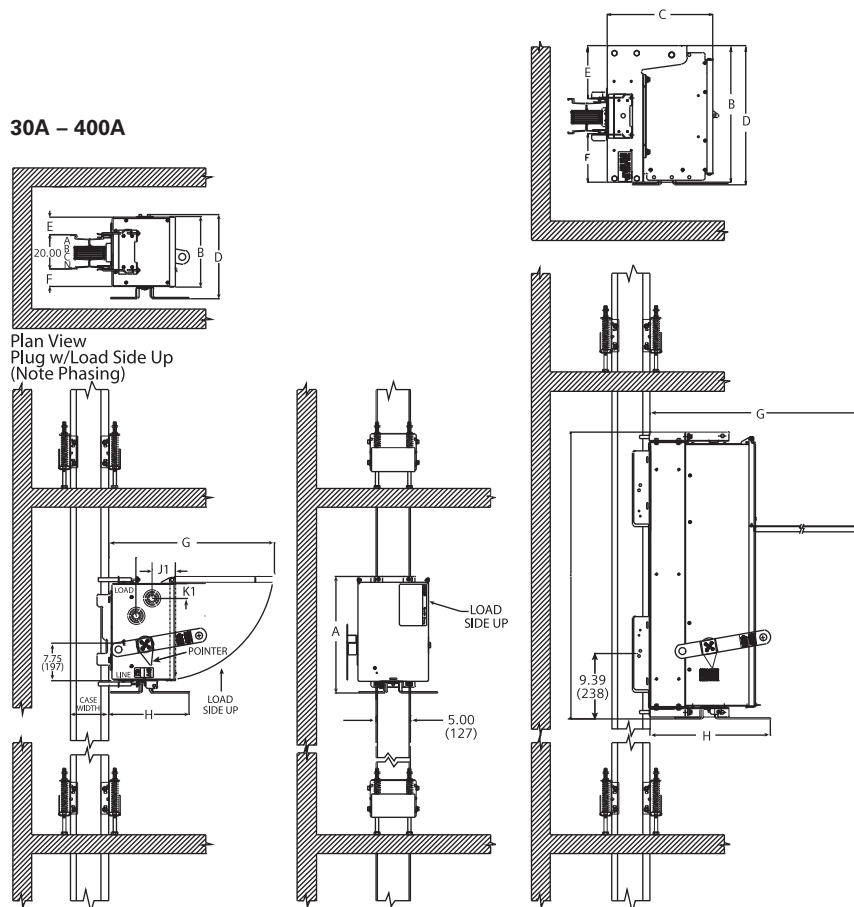
Frame Size	Ground Lug Cu/Al	Neutral Lug Cu/Al	Phase Lug Cu/Al	Knockout Sizes In. (mm)
E Frame	#14-2	#14-2	#14-1/0	7/8 (22), 1 1/8 (29), 1 3/8 (35), 1 3/4 (44), 2 (51), 2 1/2 (64)
F Frame	#14-2	#6-350 kcmil	#6-350 kcmil	2 (51), 2 1/2 (64), 3 (76), 3 5/8 (92), 4 1/8 (105)
J Frame	#14-2	(2) #4-500 kcmil	(2) 3/0-500 kcmil	7/8 (22), 1 1/8 (29), Pilot

Sentron® Bus Plugs

Wall Clearance and Circuit Breaker Bus Plug Dimensions

Selection

600A and 800A Cradle Mounted



Dim. Legend	Circuit Breaker Plugs No Cradle						Circuit Breaker Plugs w/Cradle			
	E Frame Current		F Frame ^① Current		J Frame ^① Current		L Frame Current		M Frame Current	
	Standard	Limiting	Standard	Limiting	Standard	Limiting	Standard	Limiting	Standard	Limiting
A	17.00 (432)	22.00 (559)	22.00 (559)	27.00 (686)	23.50 (597)	30.50 (775)	41.50 (1054)	41.50 (1054)	41.50 (1054)	41.50 (1054)
B	10.25 (260)	10.25 (260)	10.25 (260)	10.25 (260)	16.75 (425)	16.75 (425)	19.75 (502)	19.75 (502)	19.75 (502)	19.75 (502)
C	9.75 (248)	9.75 (248)	9.75 (248)	9.75 (248)	11.75 (298)	11.75 (298)	15.75 (400)	15.75 (400)	15.75 (400)	15.75 (400)
D	12.25 (311)	12.25 (311)	12.25 (311)	12.25 (311)	18.75 (476)	18.75 (476)	20.25 (514)	20.25 (514)	20.25 (514)	20.25 (514)
E	2.50 (64)	2.50 (64)	2.50 (64)	2.50 (64)	5.75 (146)	5.75 (146)	7.75 (197) ^②	7.75 (197)	7.75 (197)	7.75 (197)
F	2.50 (64)	2.50 (64)	2.50 (64)	2.50 (64)	5.75 (146)	5.75 (146)	7.00 (178)	7.00 (178)	7.00 (178)	7.00 (178)
G	24.00 (610)	29.00 (737)	29.00 (737)	29.00 (737)	32.50 (826)	39.50 (1003)	41.50 (1054)	41.50 (1054)	41.50 (1054)	41.50 (1054)
H	11.25 (286)	11.25 (286)	11.25 (286)	11.25 (286)	13.50 (343)	13.50 (343)	18.00 (457)	18.00 (457)	18.00 (457)	18.00 (457)
J1	3.50 (89)	3.50 (89)	3.25 (83)	3.25 (83)	4.00 (102)	4.00 (102)	—	—	—	—
K1	2.25 (57)	2.25 (57)	3.25 (83)	3.25 (83)	3.25 (83)	3.25 (83)	—	—	—	—

Legend:

- A = Length of enclosure including handle
- B = Height of enclosure
- C = Depth of enclosure
- D = Height of enclosure including optional handle location
- E = Extension of plug above top of busway
- F = Extension of plug below bottom of busway
- G = Cover (depth) clearance for enclosure
- H = Depth of enclosure from handle to edge of busway
- J = Knockout/ pilot hole location (horizontal)
- K = Knockout/ pilot hole location (vertical)

② 200%N Applications

- for F-Frame Rated <200A use L-Frame Dims.
- for J-Frame Rated <400A use L-Frame Dims.
- for 400A Fusible switch use 600A Switch Dims.

Sentron® Bus Plugs

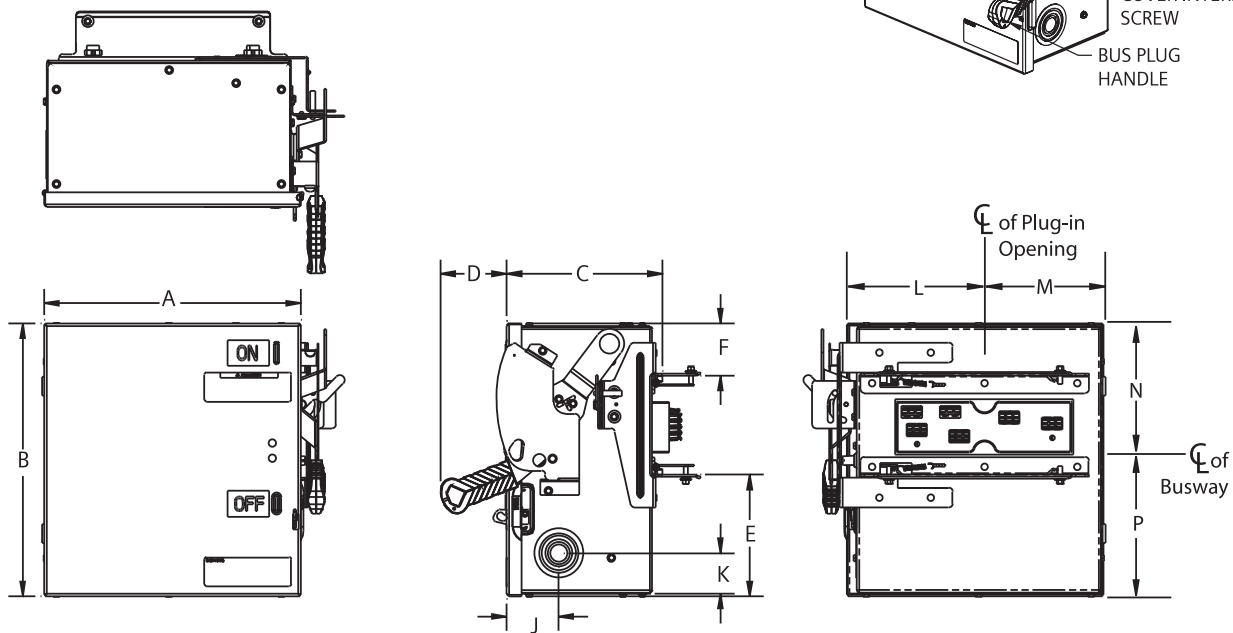
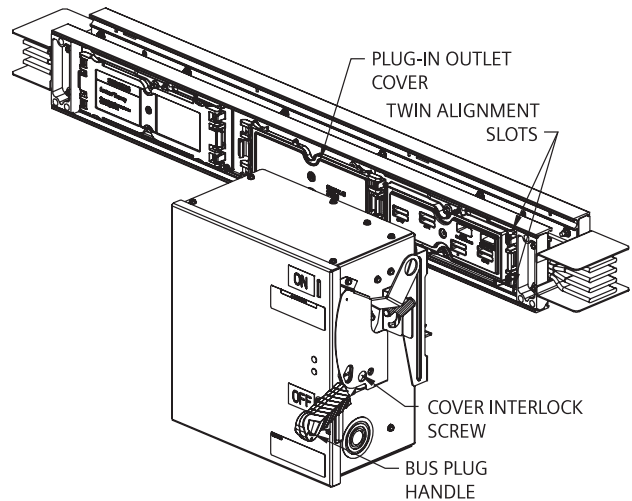
Fusible Bus Plugs Dimensions and Weights

Selection

Horizontal Fusible Bus Plug Dimensions and Weights (Enclosure Only)

Ampere Rating	Dimensions - Inches (mm)												Weight lbs (kg)
	"A"	"B"	"C"	"D max."	"E"	"F"	"J"	"K"	"L"	"M"	"N"	"P"	
30	13.13 (333)	13.86 (352)	7.96 (202)	2.60 (66)	6.18 (156)	2.66 (67)	2.65 (67)	2.06 (52)	9.81 (249)	6.22 (157)	5.30 (134)	8.63 (219)	23.5 (10.66)
60	13.13 (333)	14.86 (377)	7.96 (202)	2.60 (66)	7.18 (182)	2.66 (67)	2.65 (67)	2.06 (52)	9.81 (249)	6.22 (157)	5.30 (134)	9.63 (244)	25.5 (11.56)
100	13.13 (333)	15.86 (402)	7.96 (202)	2.60 (66)	8.18 (207)	2.66 (67)	2.65 (67)	2.06 (52)	9.81 (249)	6.22 (157)	5.30 (134)	10.53 (267)	28.0 (12.70)
200	14.88 (377)	22.86 (580)	10.58 (268)	2.60 (66)	15.88 (403)	2.66 (67)	3.40 (86)	3.06 (78)	9.81 (249)	7.95 (201)	5.30 (134)	17.62 (447)	49.0 (22.22)
400	18.63 (473)	25.36 (644)	15.67 (398)	5.50 (140)	12.67 (322)	7.67 (195)	12.15 (309)	3.06 (78)	11.80 (299)	9.43 (239)	11.90 (302)	15.15 (384)	100.0 (254)
600	18.63 (473)	25.36 (644)	15.67 (398)	5.50 (140)	12.67 (322)	7.67 (195)	12.15 (309)	3.06 (78)	11.80 (299)	9.43 (239)	11.90 (302)	15.15 (384)	100.0 (254)

BUSWAY SYSTEMS
13



Sentron® Bus Plugs

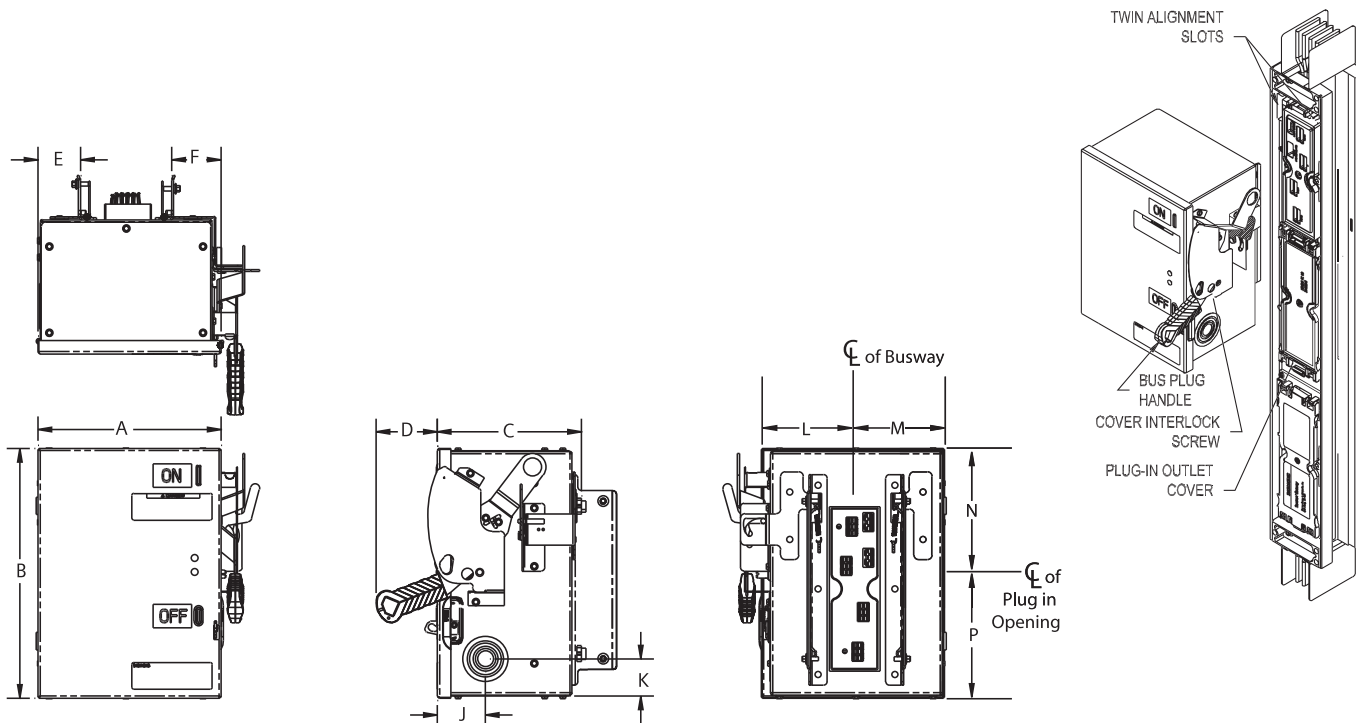
Fusible Bus Plugs Dimensions and Weights

Selection

Riser Fusible Bus Plug Dimensions and Weights (Enclosure Only)

Ampere Rating	Dimensions - Inches (mm)												Weight lbs (kg)
	"A"	"B"	"C"	"D max."	"E"	"F"	"J"	"K"	"L"	"M"	"N"	"P"	
30	10.13 (257)	13.86 (352)	7.96 (202)	5.25 (133)	2.74 (69)	2.36 (59)	2.65 (67)	2.06 (52)	8.06 (204)	5.08 (129)	7.83 (198)	6.09 (154)	23.5 (10.66)
60	10.13 (257)	14.86 (377)	7.96 (202)	5.25 (133)	2.74 (69)	2.36 (59)	2.65 (67)	2.06 (52)	8.06 (204)	2.08 (52)	7.83 (198)	7.09 (180)	25.5 (11.56)
100	11.13 (282)	15.86 (402)	7.96 (202)	5.25 (133)	7.74 (196)	3.36 (85)	2.65 (67)	2.06 (52)	8.06 (204)	6.08 (154)	7.83 (198)	8.09 (205)	28.0 (12.70)
200	14.88 (377)	22.86 (580)	10.58 (268)	5.90 (149)	5.11 (129)	4.74 (120)	3.40 (86)	3.06 (78)	10.42 (264)	7.35 (186)	9.08 (230)	13.84 (351)	49.0 (22.22)
400	18.63 (473)	25.36 (644)	15.67 (398)	5.50 (140)	6.60 (167)	7.10 (180)	12.15 (309)	3.06 (78)	11.97 (304)	9.25 (234)	13.56 (344)	13.49 (342)	100.0 (2540)
600	18.63 (473)	25.36 (644)	15.67 (398)	5.50 (140)	6.60 (167)	7.10 (180)	12.15 (309)	3.06 (78)	11.97 (304)	9.25 (234)	13.56 (344)	13.49 (342)	100.0 (2540)

13 BUSWAY SYSTEMS



Fusible Switch Plug, Load Lugs, and Knockouts

Ampere Rating	Ground Lug Cu/Al	Neutral Lug Cu/Al	Phase Lug Cu/Al	Knockout Sizes - Inches (mm)
30	#14-1/0	#14-2	#14-2	7/8 (22), 1 1/8 (29), 1 3/8 (35), 1 3/4 (44), 2 (51), 2 1/2 (64)
60	#14-1/0	#14-1/0	#14-2	7/8 (22), 1 1/8 (29), 1 3/8 (35), 1 3/4 (44), 2 (51), 2 1/2 (64)
100	#14-1/0	#14-1/0	#14-1/0	7/8 (22), 1 1/8 (29), 1 3/8 (35), 1 3/4 (44), 2 (51), 2 1/2 (64)
200	#14-1/0	#6-300MCM	#6-300MCM	1 3/8 (35), 1 3/4 (44), 2 (51), 2 1/2 (64), 3 (76)
400	#6-350MCM	(2) 1/0-250MCM or (1) 1/0-750MCM	(2) 1/0-250MCM or (1) 1/0-750MCM	7/8 (22), 1 1/8 (29)
600	#6-350MCM	(4) 1/0-250MCM or (2) 1/0-750MCM	(4) 1/0-250MCM or (2) 1/0-750MCM	7/8 (22), 1 1/8 (29)

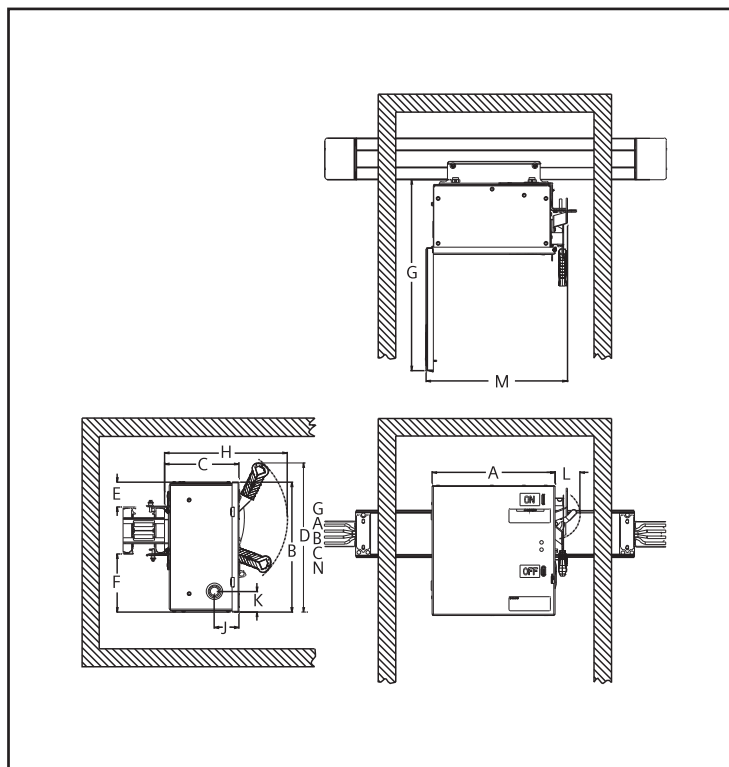
Sentron® Bus Plugs

Wall Clearance and Fusible Bus Plug Dimensions

Dimensions

Wall Clearance and Bus Plug Dimensions Horizontal (Inches/mm)

Dim.	No Cradle					
	30	60	100	200	400	600
A	13.13 (333)	13.13 (333)	13.13 (333)	14.88 (377)	18.63 (473)	18.63 (473)
B	13.86 (352)	14.86 (377)	15.86 (402)	22.86 (580)	27.00 (686)	27.00 (686)
C	7.96 (202)	7.96 (202)	7.96 (202)	10.58 (268)	15.67 (398)	15.67 (398)
D	15.89 (403)	16.68 (423)	17.68 (449)	24.66 (626)	20.00 (508)	20.00 (508)
E	6.19 (157)	7.19 (182)	8.19 (208)	15.19 (385)	12.67 (322)	12.67 (322)
F	2.67 (67)	2.67 (67)	2.67 (67)	2.67 (67)	7.67 (195)	7.67 (195)
G	20.39 (517)	20.39 (517)	20.39 (517)	24.76 (628)	33.75 (857)	33.75 (857)
H	13.09 (332)	13.09 (332)	13.09 (332)	16.55 (420)	21.17 (538)	21.17 (538)
J	2.65 (67)	2.65 (67)	2.65 (67)	3.40 (86)	12.15 (309)	12.15 (309)
K	2.06 (52)	2.06 (52)	2.06 (52)	3.06 (78)	3.06 (78)	3.06 (78)
L	2.65 (67)	2.65 (67)	2.65 (67)	2.65 (67)	2.65 (67)	2.65 (67)
M	15.07 (382)	15.07 (382)	15.07 (382)	16.82 (427)	21.00 (533)	21.00 (533)



Wall Clearance and Bus Plug Dimensions Riser (Inches/mm)

Dim.	No Cradle					
	30	60	100	200	400	600
A	10.13 (237)	10.13 (257)	11.13 (282)	14.68 (372)	18.63 (473)	18.63 (473)
B	13.86 (352)	14.86 (377)	15.86 (402)	22.86 (580)	27.00 (686)	27.00 (686)
C	7.96 (202)	7.96 (202)	7.96 (202)	10.58 (268)	15.67 (398)	15.67 (398)
D	15.89 (403)	16.68 (423)	17.68 (449)	24.66 (626)	20.00 (508)	20.00 (508)
E	2.74 (69)	2.74 (69)	7.74 (196)	5.11 (129)	6.60 (167)	6.60 (167)
F	2.36 (59)	2.36 (59)	3.36 (85)	4.74 (120)	7.10 (180)	7.10 (180)
G	17.39 (441)	17.39 (441)	18.39 (467)	24.76 (628)	33.75 (857)	33.75 (857)
H	13.09 (332)	13.09 (332)	13.09 (332)	16.55 (420)	21.17 (538)	21.17 (538)
J	2.65 (67)	2.65 (67)	2.65 (67)	3.40 (86)	12.15 (309)	12.15 (309)
K	2.06 (52)	2.06 (52)	2.06 (52)	3.06 (78)	3.06 (78)	3.06 (78)
L	3.55 (90)	3.55 (90)	3.55 (90)	3.55 (90)	2.65 (67)	2.65 (67)
M	12.07 (306)	12.07 (306)	13.07 (331)	16.82 (427)	21.00 (533)	21.00 (533)

