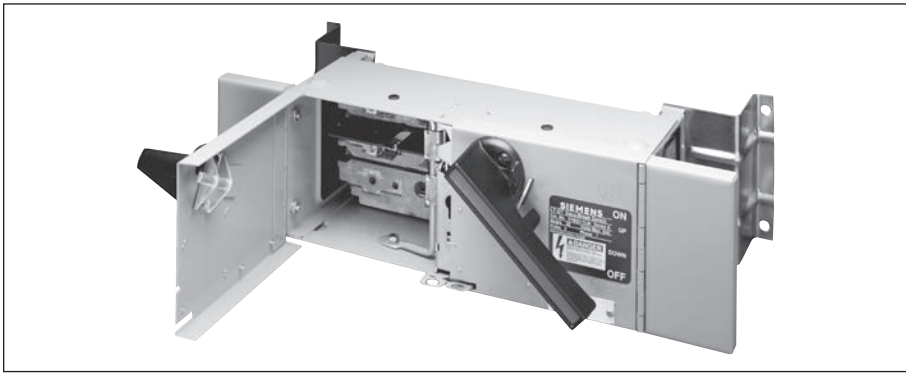


# Disconnect Switches

## Type VB Panelboard Units

General



### Features

**Exclusive Vacu-Break® Clampmatic Arc Control** — Hazardous switching arcs are safely confined and controlled in the Vacu-Break chamber.

**NEMA Phasing** — All line connections are phased as per NEMA Standards, i.e., left to right and top to bottom as you face the unit.

**Pressure Terminal Connectors** — Suitable for aluminum or copper (100 Amps or larger). All Terminal Connectors 200 Amps and larger are removable.

**Connection Screws** — Bullet nosed for positive location and seating of screw.

**Quick-Make Quick-Break** — Assured by design of cam mechanism and powerful springs. Positive operation in "ON" or "OFF" position results from design of the cross arm and Vacu-Break head linkage.

**Easy Mounting** — Mounting feet have captive bullet nosed screws added, which seat quickly and positively, reducing installation time.

**Padlocking Member** — Provides locking of handle in the "ON" or "OFF" position.

**Fibre End Barriers** — Insulated End Barriers prevent damage to wire during

installation and are designed with openings large enough to accommodate removable lugs (200 Amps and larger units).

**High Pressure Spring Reinforced Copper Fuse Clips** — Provided extra pressure at the contact points. Fuse clips are removable from the front in 7½" and 10" units and from the rear of 5" units.

**Voidable Cover Interlock** — Permits only authorized personnel to void the door interlock and open door with switch "on." "Fool proof" mechanism will not permit door to be closed unless handle is in the correct position.

### Specifications

#### Application

VB Panelboard Switches are intended for use in applications where:

1. Rugged constructions, reliable performance, continuity of service and ease of maintenance are emphasized, or
2. Available fault currents higher than 10,000A are likely to be encountered, in manufacturing plants, mass production industries and commercial, institutional and other large buildings served by network systems or transformers of high capacities.

### Short Circuit Withstand Ratings

Suitable for use on systems capable of delivering not more than 200,000 RMS symmetrical amperes of fault current when Class J or R fuses are installed. 1200A switches are the exception, which are suitable for use on circuits capable of delivering not more than 100,000 RMS symmetrical amperes of fault current when Class L fuses are installed. Also, 100–800A switches with Class T fuses and field adapter kit, which are 200,000 RMS symmetrical rated.

### Fuses

Fusible switches will accept the following UL Class fuses:

Class H

Class K

Class R or J with proper adapter kit

Class L — 800 and 1200A switches

Class T — 100–800 switches with proper adapter kit

### Cover Interlocks

Voidable cover interlocks standard on all switches. Prevents cover from being opened when switch is in the "ON" position.

### UL Listing

Listed by UL under file #E6849 as miscellaneous switches and also suitable for use as service equipment (where applicable). Meets UL98 standard for enclosed and deadfront switches.

### NEMA Specifications

Meets NEMA standard KS-1-2001 for type HD switches.

### Federal Specifications

Meets previous federal specifications W-S-865C for heavy duty switches (Type HD) Type 1 switches — general purpose enclosed (Type 1).

Switch Rating	Maximum Withstand Ratings — 240V AC					Maximum Withstand Ratings — 600V AC				
	H, K Fuses	R Fuses	J Fuses	L Fuses	T Fuses	H, K Fuses	R Fuses	J Fuses	L Fuses	T Fuses
30–30	10,000	200,000 <sup>Ⓢ</sup>	—	—	—	10,000	200,000	200,000	—	—
30–60	10,000	200,000	200,000	—	—	10,000	200,000	200,000	—	—
60–60	10,000	200,000	200,000	—	—	10,000	200,000	200,000	—	—
60–100	10,000	200,000	200,000	—	—	10,000	200,000	200,000	—	200,000
100	10,000	200,000	200,000	—	200,000	10,000	200,000	200,000	—	200,000
100–100	10,000	200,000	200,000	—	200,000	10,000	200,000	200,000	—	200,000
200	10,000	200,000	200,000	—	200,000	10,000	200,000	200,000	—	200,000
200–200	10,000	200,000	200,000	—	200,000	10,000	—	200,000	—	—
400	10,000	200,000	200,000	—	200,000	10,000	200,000	200,000	—	200,000
600	10,000	200,000	200,000	—	200,000	10,000	200,000	200,000	—	200,000
800	—	—	—	200,000 <sup>Ⓢ</sup>	200,000 <sup>Ⓢ</sup>	—	—	—	200,000	200,000
1200	—	—	—	100,000 <sup>Ⓢ</sup>	—	—	—	—	100,000	—

Ⓢ 2½" units will not accept Class R or J fuse clip kits and are rated 10,000 AIC max.

Ⓢ Ratings are for 600V switches and fuses when used on a 240V max. AC system.

# Disconnect Switches

## Type VB Panelboard Units

Selection

Fusible Units For SB1, SB2 Switchboards and F1, F2 Panelboards

**Catalog Numbering System**

V 7 E 3 2 3 3

**Vacu-Break** Unit

**Width**  
2 = 12" 7 = 17" M = 17" (Main)

**Height**  
A = 2½" B = 5" E = 7½" F = 10" H = 15" S = 18.75"

**Number of Poles**  
2 3

**Voltage Rating**  
2 = 240V 6 = 600V

**Amperes**  
0 = Single Unit  
Double 1 = 30A 2 = 60A 3 = 100A 4 = 200A

**Ampere Rating**  
1 = 30A 2 = 60A 3 = 100A 4 = 200A 5 = 400A 6 = 600A

Example: V7E3233 = **Vacu-Break Unit, 17" Wide, 7½" High, 3-Pole, 240 Volts, Double Branch Unit with 100 Amp Rating each side. Suffix letters MS indicate Main Switch.**

## Vacu-Break® Fusible Units

### 2-Pole<sup>①</sup>, 12" Wide

240V AC, 250V DC

Ampere Rating	Unit Height (inches)	Unit Depth (inches)	Horsepower Rating			Unit Lug Wire Range (Cu/Al) and Cables Per Pole	Weight (pounds)	Catalog Number
			240 Volt AC		250 Volt DC			
			Standard	Maximum				
30-30	2½ <sup>②</sup>	4½	1½	3	5	(1)-#14 to #8 (Cu Only)	5	V2A2211LR■
30-30	5	4½	1½	3	5	(1)-#14 to #4	9	V2B2211LR■
30-60	5	4½	1½-3	3-10	5-10	(1)-#14 to #2	9	V2B2212LR■
60-60	5	4½	3	10	10	(1)-#14 to #2	9	V2B2222LR■
100	7½	6¾	7½	15	20	(1)-#14 to #1/0	14	V2E2203LR■
200	7½	6¾	15	—	40	(1)-#6 to 350 kcmil	19	V2E2204LR■

### 3-Pole

240V AC, 250V DC

Ampere Rating	Unit Height (inches)	Unit Depth (inches)	Horsepower Rating		Unit Lug Wire Range (Cu/Al) and Cables Per Pole	Weight (pounds)	Catalog Number
			240 Volt AC				
			Standard	Maximum			

### Branch Circuits, 12" Wide Units

30-30	2½ <sup>②</sup>	4½	3	7½	(1)-#14 to #8 (Cu Only)	5	V2A3211■
30-30	5	4½	3	7½	(1)-#14 to #4	9	V2B3211■
30-30	5	4½	3	7½	(1)-#14 to #4	9	V2B3211R <sup>③</sup> ■
30-60	5	4½	3-7½	7½-15	(1)-#14 to #2	9	V2B3212■
30-60	5	4½	3-7½	7½-15	(1)-#14 to #2	9	V2B3212R <sup>③</sup> ■
60-60	5	4½	7½	15	(1)-#14 to #2	9	V2B3222
60-60	5	4½	7½	15	(1)-#14 to #2	9	V2B3222R <sup>③</sup> ■
100	7½	6¾	15	30	(1)-#14 to #1/0	14	V2E3203
200	10	6¾	25	60	(1)-#6 to 350 kcmil	21	V2F3204

### Main Switch<sup>④</sup>, 12" Wide Units, Back Connected

200	10	6¾	25	50	⑤	21	V2F3204MS■
-----	----	----	----	----	---	----	------------

For inches / millimeters conversion, multiply inches by 25.4.

■ Built to order. Allow 4-6 weeks for delivery.

① These units are available in LR (left, right) connection figurations only.

② This unit is not a Vacu-Break unit, but rather operates on a sliding contact, double break principle. Rated 10,000 AIC max. with either Class H or K fuses. Will not accept Class R fuse clip kits.

③ Units set up for R-fuse application only.

④ For 2-pole main switch (200A), use 3-pole main switch Vacu-Break unit.

⑤ Load-side furnished with spade type bolted terminal pads.

# Disconnect Switches

• Revised •  
12/15/13

## Type VB Panel Units

Selection

Vacu-Break® Fusible Units for SB1, SB2 Switchboards and F1, F2 Panelboards

Ampere Rating	Unit Height (inches)	Unit Depth (inches)	Horsepower Rating			Lug Wire Range (Cu/Al) and Cables Per Pole	Unit Weight (pounds)	Catalog Number
			240 Volt AC		250 Volt DC			
			Standard	Maximum				
<b>2-Pole<sup>①</sup>, Branch Circuits, 17" Wide Units</b> <span style="float: right;"><b>240V AC, 250V DC</b></span>								
30-30	2½ <sup>②</sup>	6¾	1½	3	5	(1)-#14 to #8 (Cu Only)	5	V7A2211_①③■
30-30	5	6¾	1½	3	5	(1)-#14 to #4	9	V7B2211LR①○
30-30	5	6¾	1½	3	5	(1)-#14 to #4	9	V7B2211_①_R⑤
30-60 <sup>③</sup>	5	6¾	1½-3	3-10	5-10	(1)-#14 to #2	9	V7B2212LR④■
30-60 <sup>③</sup>	5	6¾	1½-3	3-10	5-10	(1)-#14 to #4	9	V7B2212LRR④■
60-60	5	6¾	3	10	10	(1)-#14 to #2	9	V7B2222_①③
60-60	5	6¾	3	10	10	(1)-#14 to #2	9	V7B2222_①_R⑤⑥
60-100 <sup>③</sup>	7½	6¾	3-7½	10-15	10-20	(1)-#14 to #1/0	18	V7E2223LR④■
100-100	7½	6¾	7½	15	20	(1)-#14 to #1/0	20	V7E2233_①○
200	7½	6¾	15	—	40	(1)-#6 to 350 kcmil	21	V7E2204_①□
400 <sup>③</sup>	15	10½	—	—	50	(2)-#4 to 500 kcmil	63	V7H2205LR④
600 <sup>③</sup>	15	10½	—	—	—	(2)-#4/0 to 500 kcmil	63	V7H2206LR④■

<b>2-Pole, Main Switch, 17" Wide Units, Back Connected</b> <span style="float: right;"><b>240V AC, 250V DC</b></span>								
200 <sup>③</sup>	7½	6¾	15	—	40	⑦	21	V7E2204MS④■
400 <sup>③</sup>	15	10½	—	—	50	⑦	63	V7H2205MS④
600 <sup>③</sup>	15	10½	—	—	—	⑦	63	V7H2206MS④

<b>3-Pole, Branch Circuits, 17" Wide Units</b> <span style="float: right;"><b>240V AC</b></span>								
30-30	2½ <sup>②</sup>	6¾	3	7½	—	(1)-#14 to #8 (Cu Only)	5	V7A3211
30-30	5	6¾	3	7½	—	(1)-#14 to #4	9	V7B3211
30-30	5	6¾	3	7½	—	(1)-#14 to #4	9	V7B3211R⑤
30-60	5	6¾	3-7½	7½-15	—	(1)-#14 to #2	9	V7B3212
30-60	5	6¾	3-7½	7½-15	—	(1)-#14 to #2	9	V7B3212R⑤
60-60	5	6¾	7½	15	—	(1)-#14 to #2	9	V7B3222
60-60	5	6¾	7½	15	—	(1)-#14 to #2	9	V7B3222R⑤
60	7½	6¾	7½	15	—	(1)-#14 to #1/0	13	V7E3202
60-100	7½	6¾	7½-15	15-30	—	(1)-#14 to #1/0	18	V7E3223
100-100	7½	6¾	15	30	—	(1)-#14 to #1/0	20	V7E3233
100-100	7½	6¾	15	30	—	(1)-#14 to #1/0	20	V7E3233R⑤
100	7½	6¾	15	30	—	(1)-#14 to #1/0	14	V7E3203
200-200	10	6¾	25	60	—	(1)-#6 to 300 kcmil	40	V7F3644⑥
200-200	10	6¾	25	60	—	(1)-#6 to 300 kcmil	40	V7F3244R⑤
200	10	6¾	25	60	—	(1)-#6 to 350 kcmil	21	V7F3204
400	15	10½	50	125	—	(2)-#4 to 500 kcmil	63	V7H3205
400	15	10½	50	125	—	(1) 1/0 to 750 kcmil	63	V7H3205750
600	15	10½	75	200	—	(2)-#4 to 500 kcmil	63	V7H3206

<b>3-Pole, Main Switch, 17" Wide Units (Vertical Mount, Top Feed, Front Connected)</b> <span style="float: right;"><b>240V AC</b></span>								
400	18.75	10¾	50	125	—	—	—	VMS325T
600	18.75	10¾	75	200	—	—	—	VMS326T

<b>3-Pole, Main Switch, 17" Wide Units (Vertical Mount, Bottom Feed, Front Connected)</b> <span style="float: right;"><b>240V AC</b></span>								
400	18.75	10¾	50	125	—	—	—	VMS325B
600	18.75	10¾	75	200	—	—	—	VMS326B

<b>3-Pole, Main Switch, 17" Wide Units, Back Connected</b> <span style="float: right;"><b>240V AC</b></span>								
100	7½	6¾	15	30	—	⑦	14	V7E3203MS
200	10	6¾	25	60	—	⑦	21	V7F3204MS
400	15	10½	50	125	—	⑦	63	V7H3205MS
600	15	10½	75	200	—	⑦	63	V7H3206MS

For inches / millimeters conversion, multiply inches by 25.4.

- Built to order. Allow 4-6 weeks for delivery.
- MR suffix. Built to order. Allow 4-6 weeks for delivery.
- MR, LM suffix. Built to order. Allow 4-6 weeks for delivery.

- ① Order 2-pole branch circuit units by adding appropriate connection designation LM, LR or MR (indicating Left, Middle and Right, facing the panel).
- ② This unit is not a Vacu-Break unit, but rather operates on a sliding contact, double break principle. Rated 10,000 AIC max. with either Class H or K fuses. Will not accept Class R fuse clip kits.
- ③ MR not available.

- ④ Available as Type LR connection designation only.
- ⑤ Switches set up for R-fuse applications only.
- ⑥ Rated 600 Volts but factory configured to accept 250V Class H, K or R fuses. Field convertible for Class J fuses for 600V applications. Field convertible for 300V Class T fuse with TFAK42 kit.
- ⑦ Load-side furnished with spade type bolted terminal pads.
- ⑧ V7B2222MR not available

# Disconnect Switches

• Revised •  
12/15/13

## Type VB Panel Units

*Selection*

Vacu-Break® Fusible Units For SB1, SB2 Switchboards and F1, F2 Panelboards

Ampere Rating	Unit Height (inches)	Unit Depth (inches)	Horsepower Rating				Lug Wire Range (Cu/Al) and Cables Per Pole	Unit Weight (pounds)	Catalog Number
			480 Volt AC		600 Volt AC				
			Standard	Maximum	Standard	Maximum			

### 2-Pole, Branch Circuits, 17" Wide Units<sup>①</sup>

600V AC, 250V DC

30-30	7½	6¾	3	7½	3	10	(1)-#14 to #4	14	V7E2611LR <sup>■</sup>
30-60	7½	6¾	3-5	7½-20	3-5	20-25	(1)-#14 to #4	14	V7E2612LR <sup>■</sup>
100	7½	6¾	10	20	15	40	(1)-#14 to #1/0	14	V7E2603LR <sup>■</sup>

### 3-Pole, Branch Circuits, 17" Wide Units

600V AC, 250V DC

30-30	7½	6¾	5	15	7½	20	(1)-#14 to #4	14	V7E3611
30-30	7½	6¾	5	15	7½	20	(1)-#14 to #4	14	V7E3611R <sup>②</sup>
30	7½	6¾	5	15	7½	20	(1)-#14 to #4	14	V7E3601
30-60	7½	6¾	5-15	15-30	7½-15	20-50	(1)-#14 to #2	14	V7E3612
60-60	7½	6¾	15	30	15	50	(1)-#14 to #2	14	V7E3622
60-60	7½	6¾	15	30	15	50	(1)-#14 to #2	14	V7E3622R <sup>②</sup>
60	7½	6¾	15	30	15	30	(1)-#14 to #2	14	V7E3602
60-100	7½	6¾	15-25	30-60	15-30	50-75	(1)-#14 to #1/0	18	V7E3623
100-100	7½	6¾	25	60	30	75	(1)-#14 to #1/0	20	V7E3633
100-100	7½	6¾	25	60	30	75	(1)-#14 to #1/0	20	V7E3633R <sup>②</sup>
100	7½	6¾	25	60	30	75	(1)-#14 to #1/0	14	V7E3603
200-200	10	6¾	50	125	60	150	(1)-#6 to 300 kcmil	40	V7F3644J <sup>②</sup>
200	10	6¾	50	125	60	150	(1)-#6 to 350 kcmil	21	V7F3604
200	10	6¾	50	125	60	150	(1)-#6 to 350 kcmil	21	V7F3604R <sup>②</sup>
400	15	10½	100	250	125	350	(2)-#4 to 500 kcmil	63	V7H3605
400	15	10½	100	250	125	350	(1)-1/0 to 750 kcmil	63	V7H3605750
600	15	10½	150	400	200	500	(2)-#4/0 to 500 kcmil	63	V7H3606

### 3-Pole, Main Switch, 17" Wide Units (Vertical Mount, Top Feed, Front Connected)

600V AC, 250V DC

400	18.75	10¾	100	250	125	350	③	—	VMS365T
600	18.75	10¾	150	400	200	500	③	—	VMS366T

### 3-Pole, Main Switch, 17" Wide Units (Vertical Mount, Bottom Feed, Front Connected)

600V AC, 250V DC

400	18.75	17 <sup>11</sup> / <sub>16</sub>	100	250	125	350	③	—	VMS365B
600	18.75	17 <sup>11</sup> / <sub>16</sub>	150	400	200	500	③	—	VMS366B

### 3-Pole, Main Switch, 17" Wide Units, Back Connected

600V AC, 250V DC

100	7½	6¾	25	50	30	50	③	14	V7E3603MS <sup>■</sup>
200	10	6¾	50	125	60	150	③	21	V7F3604MS <sup>■</sup>
400	15	10½	100	250	125	350	③	63	V7H3605MS
600	15	10½	150	400	200	500	③	63	V7H3606MS

### 3-Pole, Switchboard Units, 21" Wide Units, Front Connected<sup>⑤</sup>

600V AC, 250V DC

800	25	12¾	200	500	250	500	—	160	VF357TL or BL <sup>④</sup>
1200	25	12¾	—	—	—	—	—	160	VF358TL or BL <sup>④</sup>

### 3-Pole, Switchboard Units, 21" Wide, Back Connected

600V AC, 250V DC

800	25	12¾	200	500	250	500	—	160	VB357TL or BL <sup>■</sup>
1200	25	12¾	—	—	—	—	—	160	VB358TL or BL <sup>■</sup>

- Built to order. Allow 2-3 weeks for delivery.
- ◆ MR suffix only is available and built to order. Allow 2-3 weeks for delivery.
- BL suffix. Built to order. Allow 2-3 weeks for delivery.
- ① Catalog number for 2-pole branch circuit units indicate connection designation LM, LR or MR (indicating Left, Middle and Right, facing the panel).

- ③ Unit configured to accept class J fuses only. Also accepts 300V Class T fuses when used with TFAK42 adapter kit.
- ④ Load-side furnished with spade type bolted terminal pads.
- ⑤ Suffix "T" or "TL" indicates Top Feed.
- ⑥ Suffix "B" or "BL" indicates Bottom Feed.
- ⑦ Back connected units are also available. Substitute the letter "B" (back connected) for the letter "F" (front connected) in the prefix of the catalog number. All other features are identical.

- ⑧ Available as Type MR designation only.
- ⑨ Switches set up for R-fuse applications only.
- ⑩ Available as Type LR designation only.

# Disconnect Switches

## Type VB Panelboard Units, Accessories

*Selection*

### Extension Kits

To extend Vacu-Break unit's depth, order the extension kit which meets the specifications of the unit to be extended. Specify by catalog number from the table to the right.

Unit Type	Unit Height (inches)	Normal Unit Depth (inches)	Extended Unit Depth (inches)	Catalog Number
V2A	2½	4⅞	6¾	W43000■
V2B	5	4⅞	6¾	W43002
V7A	2½	6¾	10½	W48762
V7B	5	6¾	10½	W48763
V7E	7½	6¾	10½	W48764
V7F	10	6¾	10½	W48765

### Fuse Adapter Kits

Class R and Class J Fuse Kits are single unit part numbers. Order (2) kits for dual units. Class T Fuse Kits are single pole part numbers. Order (3) kits for a 3-pole unit. To order the kit which meets the specifications of the unit to be changed, specify by catalog number from the tables below.

#### 240 Volt Fuse Adapter Kits

Switch Amperage	Class R Kits	Class J Kits	Class T Kits
	Catalog Number	Catalog Number	Catalog Number
30Ⓞ	Factory Inst.	—	—
60	W56628	—	—
100	W55365	W49827	TFAK32
200	W55366	W49819	TFAK42
400	W55367	W49814	TFAK52
600	W55368	W49813	TFAK62

#### 600 Volt Fuse Adapter Kits

Switch Amperage	Class R Kits	Class J Kits	Class T Kits
	Catalog Number	Catalog Number	Catalog Number
30	W56623	W49832	—
60	W56629	W49830	—
100	W55365	W49828	TFAK35
200	W55366Ⓞ	W49818Ⓟ	TFAK45
400	W55367	W49816	TFAK55
600	W55368	W49815	TFAK65
800	—	—	TFAK75

### Vacu-Break Connecting Strap Kits For Panelboards and Switchboards

Ampere Rating	240V Unit Height (inches)	600V Unit Height (inches)	S4/F1, FPP (10" Deep) Strap Kit	S5/F2 (12.75" Deep) Strap Kit	SB1, SB2, SB3, FC-20, FC-1, VB-5, VB-6, Strap Kit
30-30	2.5	—	F602	F602D	—
30-30	5	7.5	F657	F657D	VB657
30-60	5	7.5	F657	F657D	VB657
60-60	5	7.5	F657	F657D	VB657
60-100	7.5	7.5	F657	F657D	VB657
100-100	7.5	7.5	F657	F657D	VB657
100	7.5	7.5	F657	F657D	VB657
200	7.5, 10	7.5, 10	F671	F671D	VB671
200-200	10	10	F672	F672D	VB610
400	15	15	—	—	VB6150
600	15	15	—	F6150D	VB6150

### Ordering Information

Catalog Number	Description
<b>Fuse Clip Kits</b>	
VBFL3Ⓞ	100A for V2E & V7E units (6) fuse clips per kit
VBFL4Ⓞ	200A for V2E, V2F, V7E & V7F units (6) fuse clips per kit
VBFL5Ⓞ	400A for V7H & VMS units (3) fuse clips per kit
VBFL6Ⓞ	600A for V7H & VMS units (3) fuse clips per kit
<b>Lug Kits</b>	
VBRL4	200A for V2F, V7E & V7F units (3) lugs per kit
VBRL5	400A for V7H units (6) lugs per kit
VBRL6	600A for V7H units (6) lugs per kit
<b>Handle Kits</b>	
VBRHK1232	100A for twin V2E & V7E units (2) handles per kit
VBRHK41	200A for single V2E, V2F, V7E & V7F units (1) handle per kit
VBRHK42	200A for twin V7F units (2) handles per kit

For inches / millimeters conversion, multiply inches by 25.4.

■ Built to order. Allow 2-3 weeks for delivery.

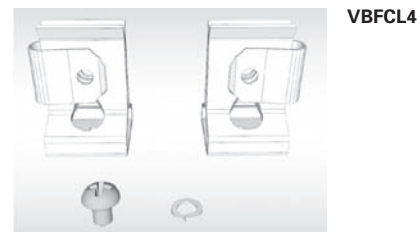
Ⓞ For 200 A single units only. Dual units are suitable for Class J only, when used above 240V.

Ⓟ 5" unit height switches only.

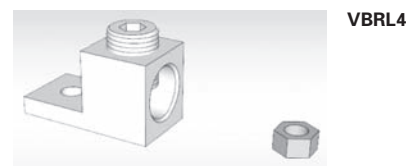
Ⓞ For single units only.

Ⓞ Fuse clips provided can be used on both the line and load sides.

Ⓞ Three line and three load fuse clips are provided.



VBFL4



VBRL4



VBRHK41

# Disconnect Switches

## Type HCP Switchboard Units, Accessories

Selection

### Features

- UL Listed under file number E6849 Vol 1, Sect. 8
- 400-1200A ratings
- Visible contacts
- Field installable shunt trip and auxiliary switch accessory kits
- Installs in existing Siemens switchboards and power panelboards
- Suitable for use on systems with up to 200,000A available fault current, RMS symmetrical when equipped with Class J or Class L fuses
- Group mounts with other 30A through 600A switches, and 100 through 1200 amp frame breakers
- Allows 800A and 1200A switches in standard 38" wide distribution sections in either main or branch configurations
- 16 1/4" mounting height is the smallest 1200A design in the industry, allowing up to 4 units in one vertical section
- Field reversible horizontal mounting design for left or right hand cabling
- Handle can be padlocked in the OFF position with up to three padlocks with 5/16" hasps. A cover padlocking provision is also supplied



### 3-Pole, Horizontal Mount<sup>①</sup>

Catalog Number	Maximum Ampere Rating	Maximum AC Voltage Rating <sup>②</sup>	Fuse Class	Dimensions (inches*)			Horsepower Rating						
							240V		480V		600V		250V DC
				H	W	D	Std	Max	Std	Max	Std	Max	
HCP367HJ400	400	600	J	16.25	17.22	7.38	50	125	100	250	125	350	40
HCP367HJ600	600	600	J	16.25	17.22	7.38	75	200	150	400	200	400	40
HCP327HT	800	240	T	16.25	17.22	7.38	100	250	—	—	—	—	50
HCP367H	800	600	L	16.25	17.22	7.38	100	250	200	500	250	500	50
HCP328HT	1200	240	T	16.25	17.22	7.38	100	250	—	—	—	—	50
HCP368H	1200	600	L	16.25	17.22	7.38	100	250	200	500	250	500	50

### 3-Pole, Vertical Mount

HCP367VJ400	400	600	J	17.00	16.25	7.38	50	125	100	250	125	350	40
HCP367VJ600▲	600	600	J	17.00	16.25	7.38	75	200	150	400	200	400	40
HCP327VT	800	240	T	17.00	16.25	7.38	100	250	—	—	—	—	50
HCP367V	800	600	L	17.00	16.25	7.38	100	250	200	500	250	500	50
HCP328VT	1200	240	T	17.00	16.25	7.38	100	250	—	—	—	—	50
HCP368V	1200	600	L	17.00	16.25	7.38	100	250	200	500	250	500	50

## Accessories

### Terminal Connectors (one lug per kit)

Ampere Rating	Catalog Number	Connector Wire Range
400-600A	TA2K500	(2) #1 AWG-500 kcmil (Cu or Al)
400-600A	TC2K500	(2) #1 AWG-500 kcmil (Cu only)
400-800A	TA3K500	(3) #1 AWG-500 kcmil (Cu or Al)
400-800A	TC3K350	(3) #1 AWG-350 kcmil (Cu only)
800-1200A	TA4H500	(4) #2 AWG-500 kcmil (Cu or Al)
800-1200A	TA3H750	(3) 500-750 kcmil (Cu or Al)

### Auxiliary Switch Kits

Contact Ampere Rating	Maximum Voltage		Switch Mounting	Contacts	Catalog Number
	AC	DC			
15A	480	125	Left Pole	1NO/1NC	A01HCP4▲
15A	480	125	Right Pole	1NO/1NC	A01HCP4

### Shunt Trip Kit

Control Voltage		Catalog Number
AC	DC	
120	—	HCPST120
240	—	HCPST240▲
277	—	HCPST277
480	—	HCPST480▲

### Switchboard Connection Strap Kit<sup>①</sup>

Switch Ampere Rating	Catalog Number
400-1200A	F6162D

\*For inches / millimeters conversion, multiply inches by 25.4.

▲ Built to order. Allow 6-8 weeks for delivery.  
① For horizontal mounting only in either 38" wide min switchboards or S5/F2 power panelboards.

② Both 240 and 600V AC switches are also rated 250V DC max.

### T Fuse Adapter Kits (one per pole)

Catalog Number	Description
TFAK72	800A, 300V AC
TFAK75	800A, 600V AC
TFAK82	1200A, 300V AC

### HCP Replacement Handle Kit (For use on all HCP switches)

SW Ampere Rating	Catalog Number
400-1200A	HCPHK

### Compression Lug Adapter Kit

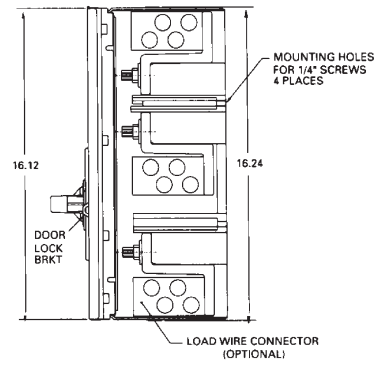
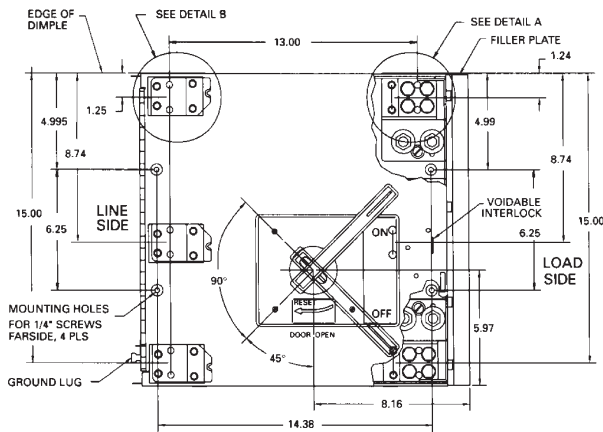
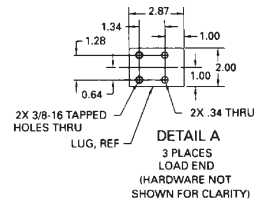
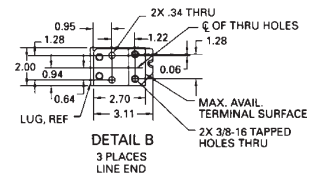
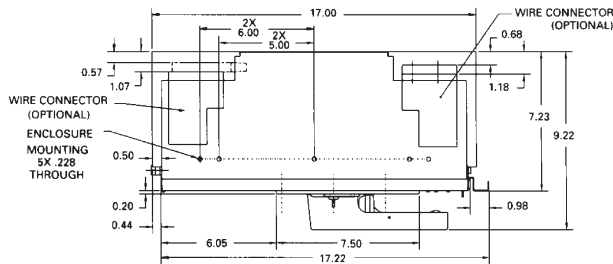
The use of this kit provides for the mounting of up to four lugs per phase. Each kit accepts lugs with (2) 3/8" diameter mounting holes on 1" centers. One kit per pole line or load is required. Lugs are not provided.

# Disconnect Switches

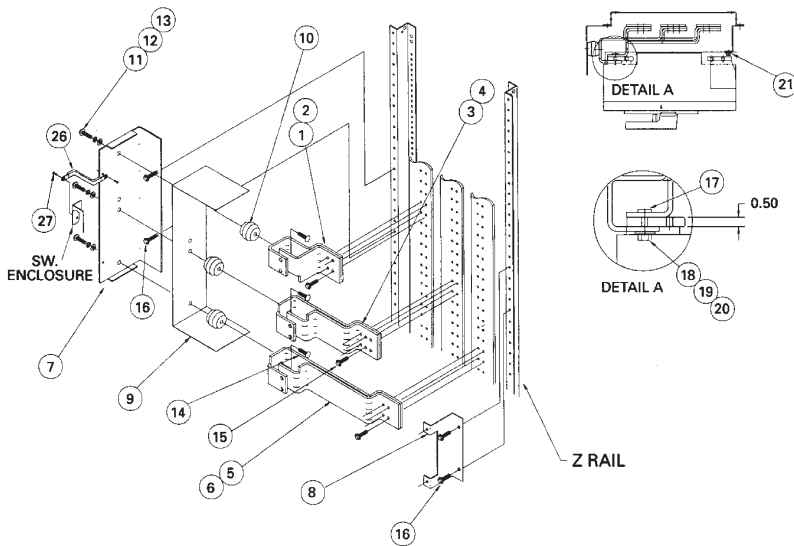
## Type HCP Switchboard Units

Dimensions

### Horizontal Mount Drawing



### Group Mounting Assembly (Horizontal Mount Only)



Note: Right exit shown, rotate 180° for left exit  
 Note: Items 26 & 27 are used to ground the switch enclosure (Route bonding wire along flange)

Item	Parts Supplied in Connection Strap Kit Cat. No. F6162D	Qty.
1-2	A/C Ø Strap (Short)	1ea.
3-4	B Ø Strap	1ea.
5-6	A/C Ø Strap (Long)	1ea.
7-8	Switch Mounting Bracket	1ea.
9	Insulation	1
10	1-3/8" Insulator	3
11	3/8-16 X 3/4" HHMS	3
12	3/8" Lock Washer	3
13	3/8" Flat Washer	3
14	3/8-16 X 3/4" RHSNB	3
15	Strap Bus Hardware Kit	2
16	1/4-28 X 3/8" SHWHSW	4
17	5/16-18 Insert	6
18	5/16-18 X 1" SRHMS	6
19	5/16 Flat Washer	6
20	5/16 Lock Washer	6
21	1/4-20 X 1" SRHMS	2
26	Ground Bracket	1
27	10-32 X 1/4" SHWHSW	2

# Disconnect Switches

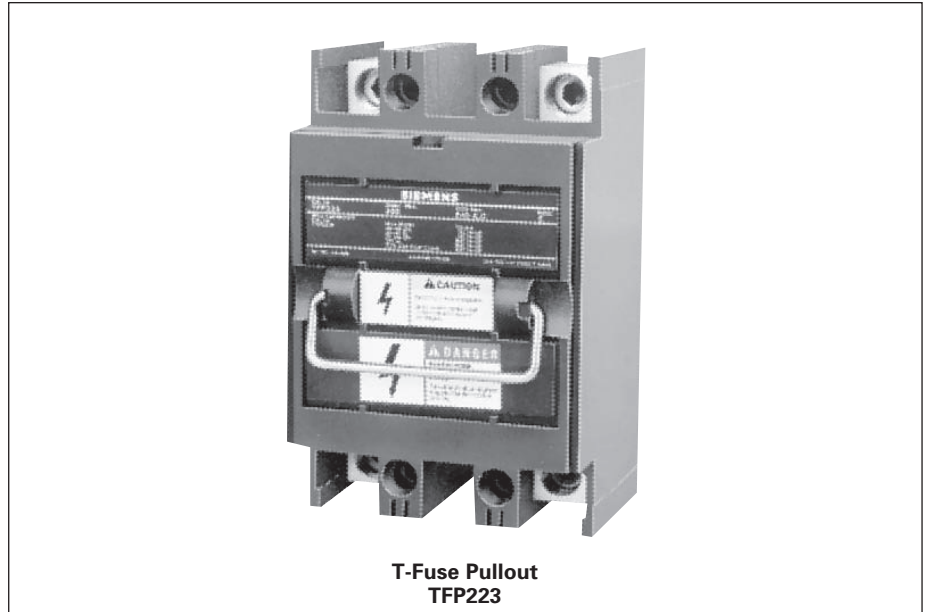
## Type TFP Fusible Pullouts

*Selection/Dimensions*

### Features

#### Type TFP Fusible Pullouts

- 100 and 200 Ampere Disconnects
- 240 Volt and 600 Volt Designs
- Class T Fuses
- Factory Installed Wire Connectors
- U.L. Listed for applications up to 200,000 Amps symmetrical at 600 Volts
- Physically interchangeable with Siemens Type QJ2, QJH2 and QJ2-H
- UL 1429, File No. E118778



**T-Fuse Pullout  
TFP223**

### T-Fuse Pullouts

#### 2-Pole, 2-Fuse

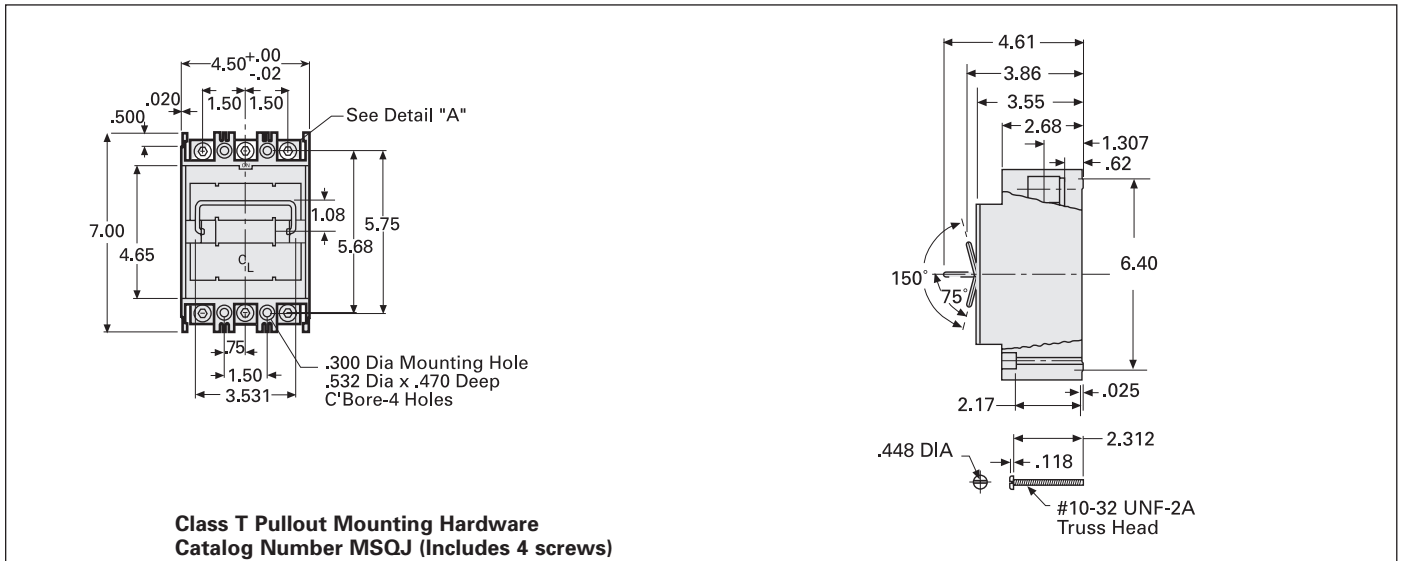
Maximum Voltage	Ampere Rating	Catalog Number	Connector Wire Range 60/75°C <sup>①</sup>
240 <sup>②</sup>	100	<b>TFP223</b>	(1 pc.) #6-300 kcmil Cu
	200	<b>TFP224</b>	(1 pc.) #4-300 kcmil Al

#### 3-Pole, 3-Fuse

240 <sup>②</sup>	100	<b>TFP323</b>	(1 pc.) #6-300 kcmil Cu
	200	<b>TFP324</b>	
600	100	<b>TFP363</b>	(1 pc.) #4-300 kcmil Al
	200	<b>TFP364</b>	

**Fuses** — Not included. Consult local sales office for replacement parts.

### Fusible Pullouts Dimensions (inches\*)



\*For inches / millimeters conversion, multiply inches by 25.4.

<sup>①</sup> Replacement terminal lug Catalog Number TA1Q300.  
<sup>②</sup> 240 bolt pullouts require 300 volt Class T fuses.