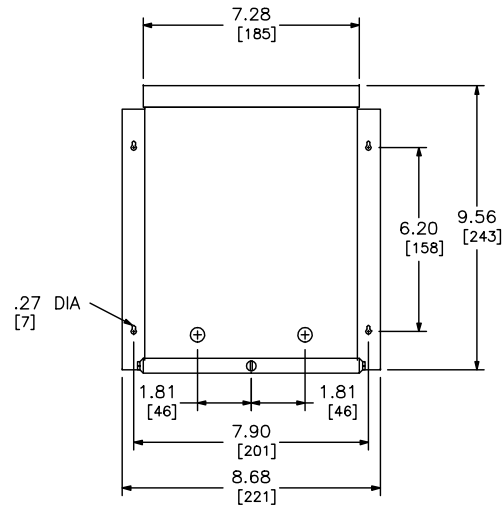
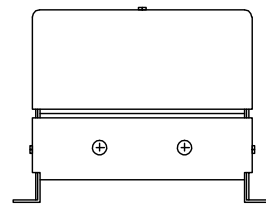


SIDE VIEW



FRONT VIEW

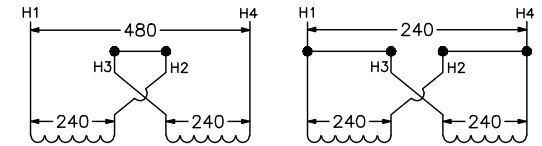


BOTTOM VIEW

SEISMIC QUALIFICATION:
 TO BE COMPLIANT WITH THE SEISMIC REQUIREMENTS OF ASCE/SEI7, THIS UNIT HAS BEEN QUALIFIED BY SHAKE TABLE TESTING THROUGH SELF CERTIFICATION TO ICC ES AC156. THE ENCLOSURE SHOWN ABOVE IS 9A. CONTACT YOUR LOCAL SCHNEIDER ELECTRIC/SQUARE D REPRESENTATIVE FOR RELATED QUESTIONS.

NOTES:
 UL / CUL LISTED
 NEMA 3R NON-VENTILATED ENCLOSURE
 LEAD WIRES: TIN PLATED COPPER
 185°C INSULATION SYSTEM FOR 115°C RISE
 EPOXY-RESIN ENCAPSULATED

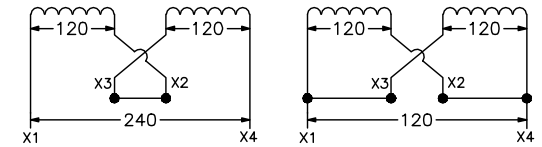
GENERAL-PURPOSE TRANSFORMER
 2.0 KVA 1 Ø 60HZ
 120/240V SECONDARY



SERIES CONNECTION

PARALLEL CONNECTION

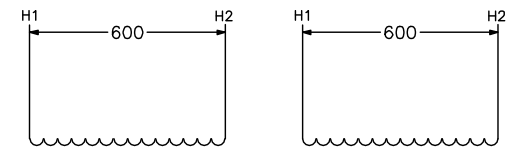
240 X 480 VOLT PRIMARY



SERIES CONNECTION

PARALLEL CONNECTION

600 VOLT PRIMARY



DUAL DIMENSIONS: INCHES
 MILLIMETERS

| KVA | CATALOG NUMBERS | | TEMP. RISE | SOUND LEVEL | WGT LBS |
|-----|-------------------|-------------|------------|-------------|---------|
| | 240 X 480 PRIMARY | 600 PRIMARY | | | |
| 2.0 | 2S1F | 2S51F | 115°C | 40 DB | 39.1 |

GENERAL-PURPOSE TRANSFORMER
 2.0 KVA 1PH 60HZ
 120/240V SECONDARY



DWG# 3581
 NO.