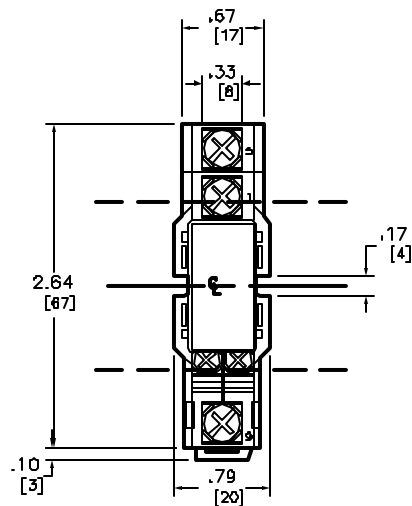
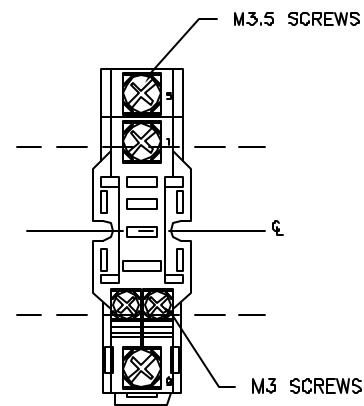


LEFT VIEW



FRONT VIEW

SHOWN WITH RELAY INSTALLED



FRONT VIEW

SHOWN WITHOUT RELAY INSTALLED

Catalog Number: B501-NR41
 Ratings: 30DV, 10A
 UL File/CDN: E66924/SW1V2
 CSA File/Class: LR04913/3211 07
 Meets Standards: -
 Weight: -
 Wire Size: #12-#16 AWC
 Terminal torque: -
 Mounting Hwd.: (2) #6-32 SCREWS, 35mm DIN TRACK

DUAL DIMENSIONS: INCHES
 MILLIMETERS

GENERAL PURPOSE RELAY SOCKET
 CLASS B501 TYPE NR41



DWG# E0703601-01
 NO.