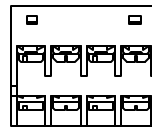
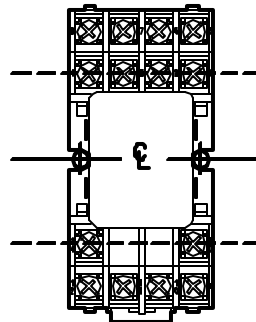


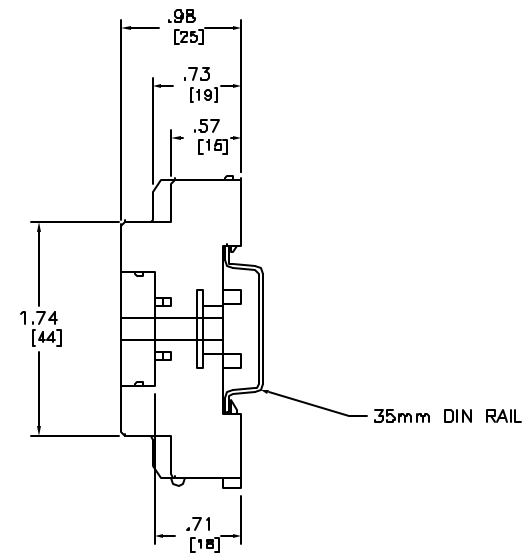
FRONT VIEW
SHOWN WITHOUT RELAY INSTALLED



TOP VIEW



FRONT VIEW
SHOWN WITH RELAY INSTALLED



RIGHT VIEW

Catalog Number: 8501-NR45
 Ratings: 300V, 7A
 UL File/CCN: E66924/5WIV2
 CSA File/Class: LR36144/3211 07
 Meets Standards: -
 Weight: 0.1 lbs
 Wire Size: #14-#22 AWG
 Terminal torque: 7-8 LB/IN
 Mounting Hwd.: (2) #6-32 SCREWS, 35mm DIN RAIL

DUAL DIMENSIONS: INCHES
MILLIMETERS

GENERAL PURPOSE RELAY SOCKET (14 PIN)
CLASS B501 TYPE NR45



DWG# E0700101-01
NO.