

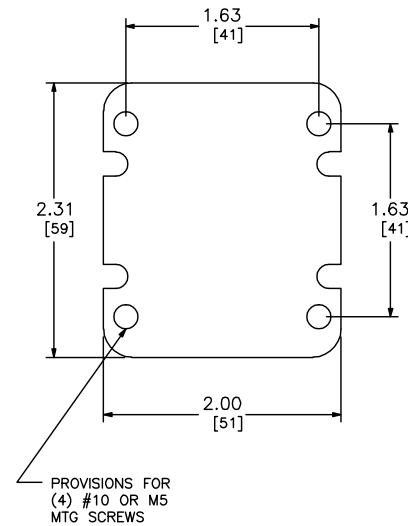
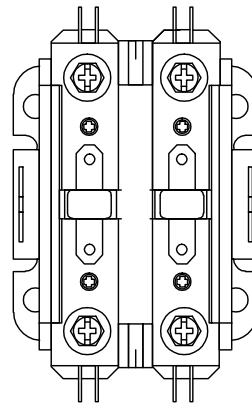
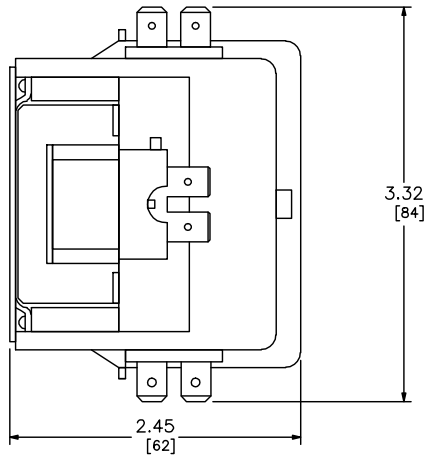
2-POLE DEFINITE PURPOSE — 600 VAC, 50-60 HZ

FULL LOAD AMPERES CODE (2)	
TYPE	FLA
12	20 FLA
22	25 FLA
32	30 FLA
* 42	40 FLA

COIL VOLTAGE CODE (1)	VOLTAGE	
	60 HZ	50 HZ
V14	24	24
V02	120	110
V09	208-240	220
V04	277	-
V06	480	440
V07	600	550

QUICK CONNECT TERMINALS AND  
BINDER HEAD SCREWS FOR EASY WIRING.

\* = BOX LUGS #14-#4 AWG WIRE SIZE



CATALOG NUMBER: 8910-DP(2)(1)  
 RATINGS: SEE CHART  
 UL FILE/CCN: UL E78351/NLDX2  
 CSA FILE/CLASS: CSA 172334/321104  
 MEETS STANDARDS: -  
 WEIGHT: 0.58 LB  
 WIRE SIZE: POWER — #16-8 AWG  
 TERMINAL TORQUE: 22LB - IN (20 TO 30 FLA) 40LB - IN (40 FLA)  
 MOUNTING HWD.: (4) #10 OR M5 SCREWS

DUAL DIMENSIONS: INCHES  
MILLIMETERS

DEFINITE PURPOSE CONTACTOR (2 POLE)  
 CLASS 8910 TYPE DP (2) (1)  
 SERIES C



DWG# E0310101-01-C  
 No.