

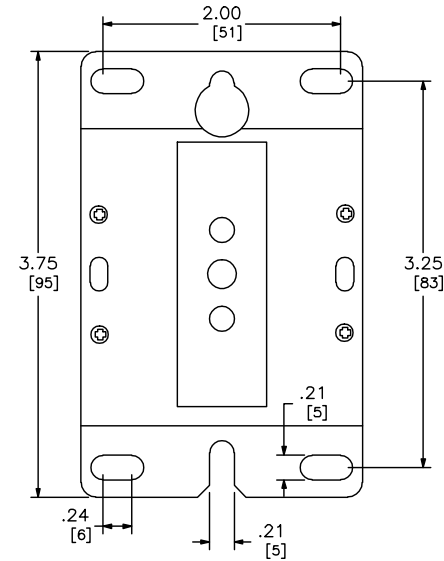
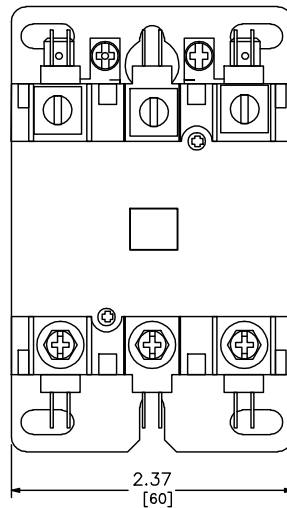
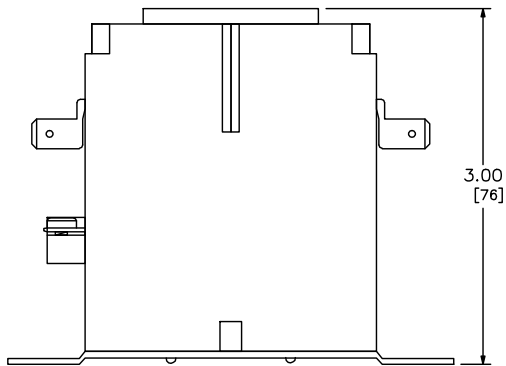
2 AND 3-POLE DEFINITE PURPOSE – 600 VAC, 50–60 HZ

FULL LOAD AMPERES CODE (2)	
TYPE	FLA
12 (2 POLE)	20 FLA
13 (3 POLE)	
22 (2 POLE)	25 FLA
23 (3 POLE)	
32 (2 POLE)	30 FLA
33 (3 POLE)	
42 (2 POLE)	40 FLA *
43 (3 POLE)	

COIL VOLTAGE CODE (1)	VOLTAGE	
	60 HZ	50 HZ
V14	24	24
V02	120	110
V09	208–240	220
V04	277	–
V06	480	440
V07	600	550

QUICK CONNECT TERMINALS AND BINDER HEAD SCREWS FOR EASY WIRING.

* = BOX LUGS #14–#4 AWG WIRE SIZE



CATALOG NUMBER: 8910-DP(2)(1)
 RATINGS: SEE CHART
 UL FILE/CCN: UL E78351/NLDX2
 CSA FILE/CLASS: CSA 172334/321104
 MEETS STANDARDS: –
 WEIGHT: 0.98 LB
 WIRE SIZE: POWER – #14–#8
 TERMINAL TORQUE: 22LB – IN (20 TO 30 FLA) 40LB – IN (40 FLA)
 MOUNTING HWD.: (4) #10 OR M5 SCREWS

DUAL DIMENSIONS: INCHES
 MILLIMETERS

DEFINITE PURPOSE CONTACTOR (2 AND 3 POLE)
 CLASS 8910 TYPE DPA (2) (1)
 SERIES C



DWG# E0310201-01-C
 NO.