

DRY-TYPE TRANSFORMERS
 9-15 KVA 3Ø 60HZ
 ENCAPSULATED
 NEMA 3R ENCLOSURE TYPE

480 DELTA - 208Y/120 CONNECT TO TAPS		
PRIMARY VOLTS	2-5% FCBN	2-2.5% FCAN 2-2.5% FCBN
504	-	H1, H2, H3
492	-	H4, H5, H6
480	H1, H2, H3	H7, H8, H9
468	-	H10, H11, H12
456	H4, H5, H6	H13, H14, H15
432	H7, H8, H9	-

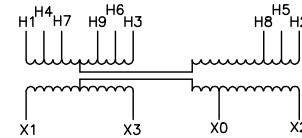
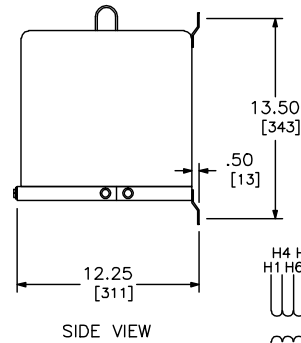
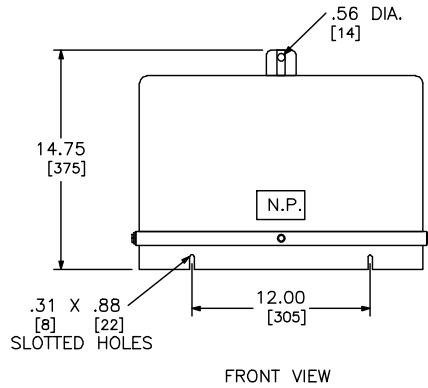
480 DELTA - 240 DELTA CONNECT TO TAPS	
PRIMARY VOLTS	4-2.5% FCBN
480	H1, H2, H3
468	H4, H2, H5
456	H6, H2, H7
444	H8, H2, H9
432	H10, H2, H11

600 DELTA - 208Y/120	
PRIMARY VOLTS	CONNECT TO TAPS
600	H1, H2, H3
570	H4, H5, H6
540	H7, H8, H9

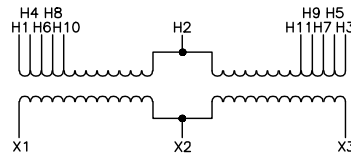
SEISMIC QUALIFICATION:
 TO BE COMPLIANT WITH THE SEISMIC REQUIRMENTS OF ASCE/SEI7, THIS UNIT HAS BEEN QUALIFIED BY SHAKE TABLE TESTING THROUGH SELF CERTIFICATION TO ICC ES AC156. THE ENCLOSURE SHOWN ABOVE IS 14C. CONTACT YOUR LOCAL SCHNEIDER ELECTRIC/SQUARE D REPRESENTATIVE FOR RELATED QUESTIONS.

DUAL DIMENSIONS: INCHES
 MILLIMETERS

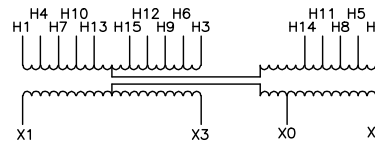
KVA	CATALOG NUMBERS			GUAR. SOUND LEVEL IN DB'S	WGT LBS
	480 DELTA-208Y/120	480 DELTA-240 DELTA	600 DELTA-208Y/120		
9	9T2F	9T75F	9T7F	40	265
15	15T2F	15T75F	15T7F	45	335
15	15T68F	-	-	45	335



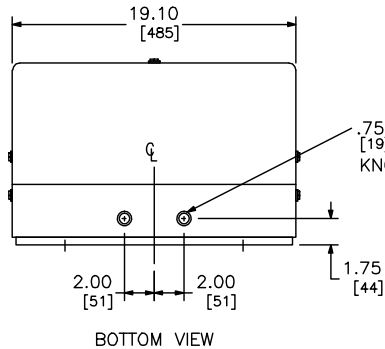
9T2F, 9T7F, 15T2F, 15T7F
 2 - 5% FCBN



9T75F, 15T75F
 4 - 2.5% FCBN



15T68F
 4 - 2.5%, 2 FCAN AND 2 FCBN



NOTES: UL LISTED
 115°C RISE ABOVE 40°C AMBIENT, CLASS 180 INSULATION
 MINIMUM CLEARANCE OF 6.00IN / 152MM BETWEEN VENT OPENINGS,
 WALL OR OTHER OBSTRUCTION.

DRY-TYPE TRANSFORMER
 9-15 KVA 3PH 60HZ
 ENCAPSULATED
 NEMA 3R ENCLOSURE TYPE



DWG# 3545
 NO.