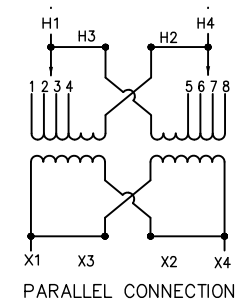
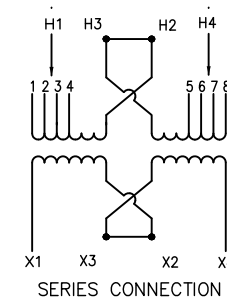


SERIES CONNECTION CONNECT H2 TO H3 CONNECT LINES TO H1 & H4	
PRIMARY VOLTS	CONNECT TO TAPS
504	1 AND 8
492	1 AND 7
480	2 AND 7
468	2 AND 6
456	3 AND 6
444	3 AND 5
432	4 AND 5

PARALLEL CONNECTION CONNECT H1 TO H3, H2 TO H4 CONNECT LINES TO H1 & H4	
PRIMARY VOLTS	CONNECT TO TAPS
252	1 AND 8
240	2 AND 7
228	3 AND 6
216	4 AND 5



TRANSFORMER SPECIFICATIONS:

15 KVA 1Ø 60 HZ
 PRIMARY VOLTAGE 240 X 480
 SECONDARY VOLTAGE 120/240
 150°C RISE ABOVE 40°C AMBIENT
 220°C INSULATION SYSTEM
 ALUMINUM WINDINGS
 APPROXIMATE WEIGHT: 215 LBS
 GUARANTEED SOUND LEVEL: 45 dB
 EFFICIENCY @35%: 97.7% AVG. CONFORMS
 TO NEMA TP 1 - 2002 AND CSA C802.2

NOTES:

- 1) cULus LISTED (MEETING UL 1561 AND CSA C22.2)
- 2) NEMA 2 VENTILATED ENCLOSURE ENCLOSURE RATED FOR NEMA 3R WHEN OPTIONAL WEATHERSHIELD ACCESSORY IS INSTALLED.
- 3) MINIMUM CLEARANCE OF 3.00[76] BETWEEN VENT OPENINGS, WALL OR OTHER OBSTRUCTION
- 4) SHADED AREAS DENOTE CUSTOMER CONDUIT ENTRANCE LOCATIONS, AVAILABLE BOTH SIDES AND BOTTOM

SEISMIC QUALIFICATION:

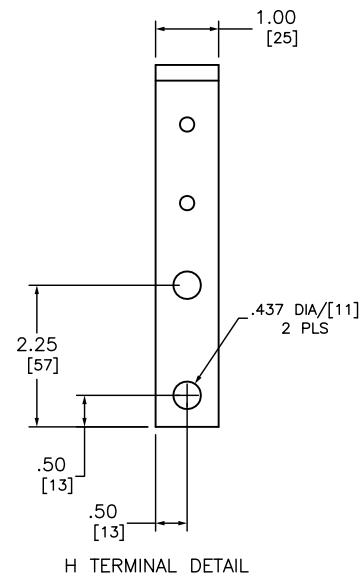
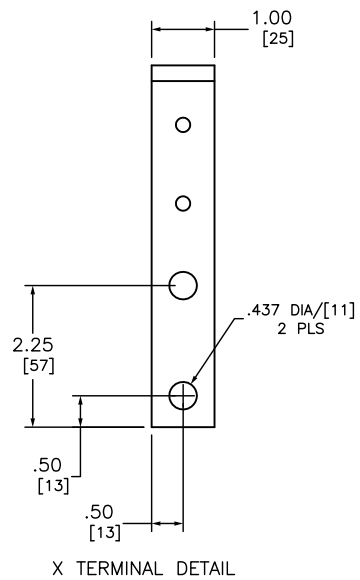
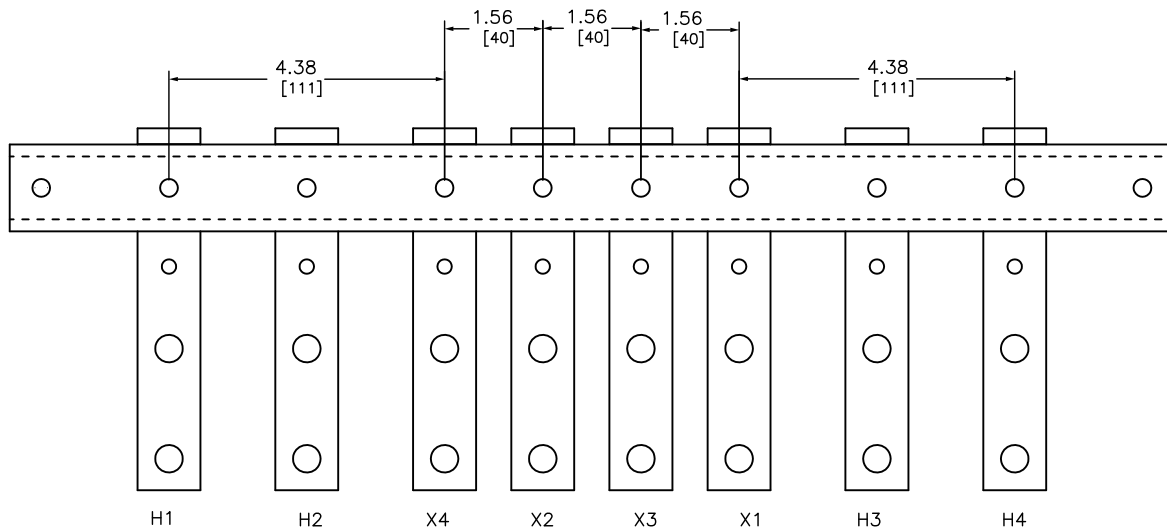
TO BE COMPLIANT WITH THE SEISMIC REQUIREMENTS OF ASCE/SEI 7, THIS UNIT HAS BEEN QUALIFIED BY SHAKE TABLE TESTING THROUGH SELF CERTIFICATION TO ICC ES AC156. CONTACT YOUR LOCAL SCHNEIDER ELECTRIC/SQUARE D REPRESENTATIVE FOR RELATED QUESTIONS.

DUAL DIMENSIONS: INCHES
MILLIMETERS

LOW VOLTAGE ENERGY EFFICIENT, TP1
 DRY-TYPE TRANSFORMER
 CATALOG NO EE15S3H
 1PHASE, 15kVA, AL
 PRIMARY 240 X 480, SECONDARY 120/240



DWG# 6312-0197
 No.



INCHES
MILLIMETERS

LOW VOLTAGE ENERGY EFFICIENT, TP1
 DRY-TYPE TRANSFORMER
 CATALOG NO EE15S3H
 1 PHASE, 15kVA, AL
 PRIMARY 240 X 480 ,SECONDARY 120/240



DWG# 6312-0197
 No.