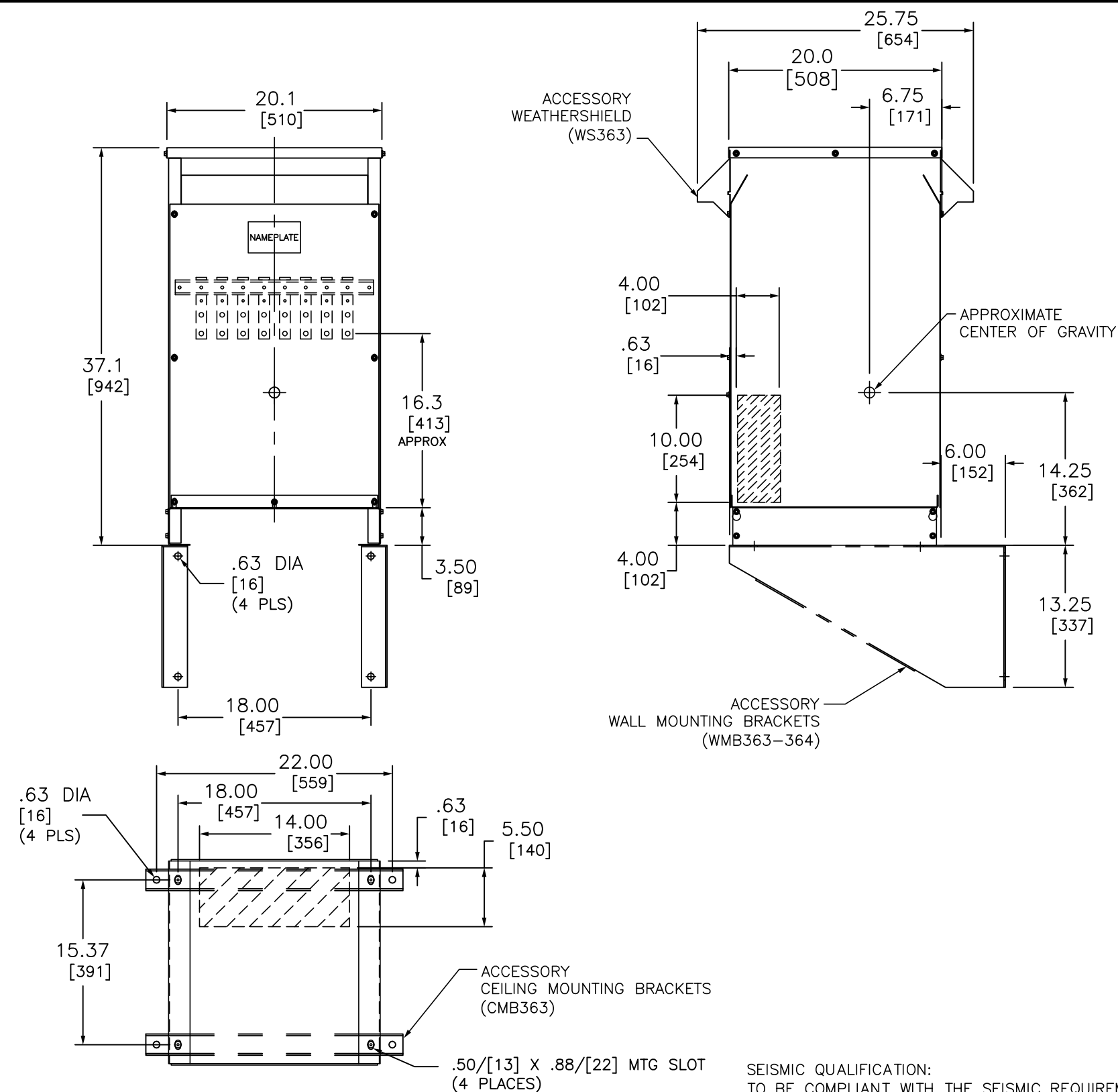
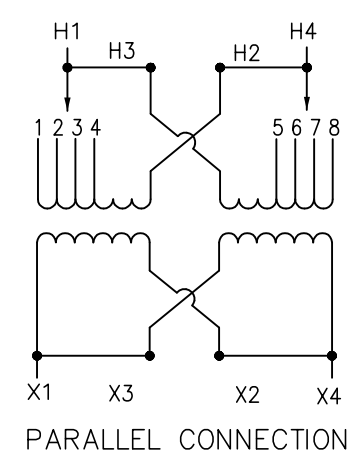
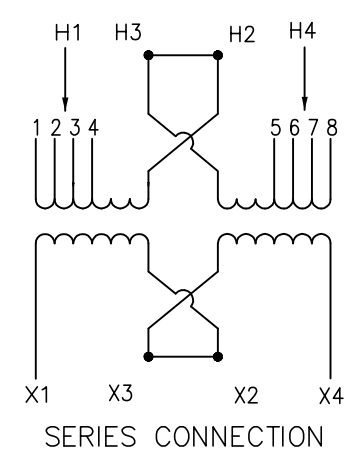


j:\vopdwg\Customer Drawings\Online Approval Drawings\EE37S3H.DWG 11/14/2007 8:20:32 AM



SERIES CONNECTION CONNECT H2 TO H3 CONNECT LINES TO H1 & H4	
PRIMARY VOLTS	CONNECT TO TAPS
504	1 AND 8
492	1 AND 7
480	2 AND 7
468	2 AND 6
456	3 AND 6
444	3 AND 5
432	4 AND 5

PARALLEL CONNECTION CONNECT H1 TO H3, H2 TO H4 CONNECT LINES TO H1 & H4	
PRIMARY VOLTS	CONNECT TO TAPS
252	1 AND 8
240	2 AND 7
228	3 AND 6
216	4 AND 5



**TRANSFORMER SPECIFICATIONS:**  
 37.5kVA 1Ø 60 HZ  
 PRIMARY VOLTAGE 240 X 480  
 SECONDARY VOLTAGE 120/240  
 150°C RISE ABOVE 40°C AMBIENT  
 220°C INSULATION SYSTEM  
 ALUMINUM WINDINGS  
 APPROXIMATE WEIGHT: 340 LBS  
 GUARANTEED SOUND LEVEL: 45 dB  
 EFFICIENCY @35%: 98.2% AVG. CONFORMS TO NEMA TP 1 - 2002 AND CSA C802.2

- NOTES:
- 1) cULus LISTED (MEETING UL 1561 AND CSA C22.2)
  - 2) NEMA 2 VENTILATED ENCLOSURE ENCLOSURE RATED FOR NEMA 3R WHEN OPTIONAL WEATHERSHIELD ACCESSORY IS INSTALLED.
  - 3) MINIMUM CLEARANCE OF 3.00[76] BETWEEN VENT OPENINGS, WALL OR OTHER OBSTRUCTION
  - 4) SHADED AREAS DENOTE CUSTOMER CONDUIT ENTRANCE LOCATIONS, AVAILABLE BOTH SIDES AND BOTTOM

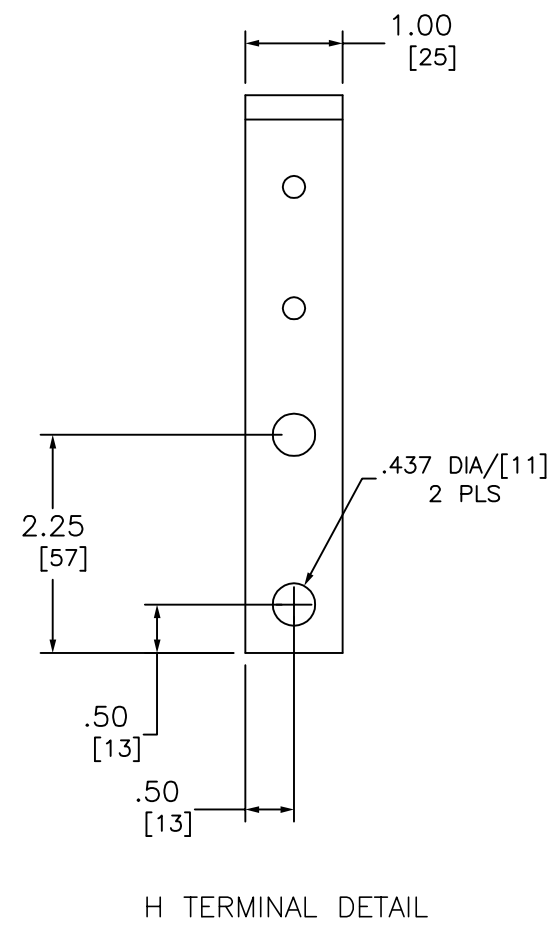
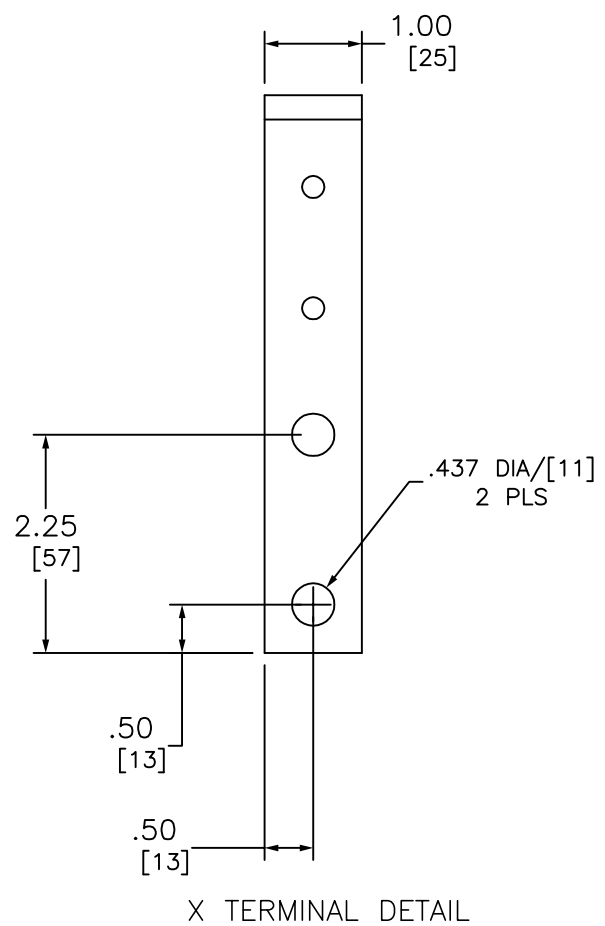
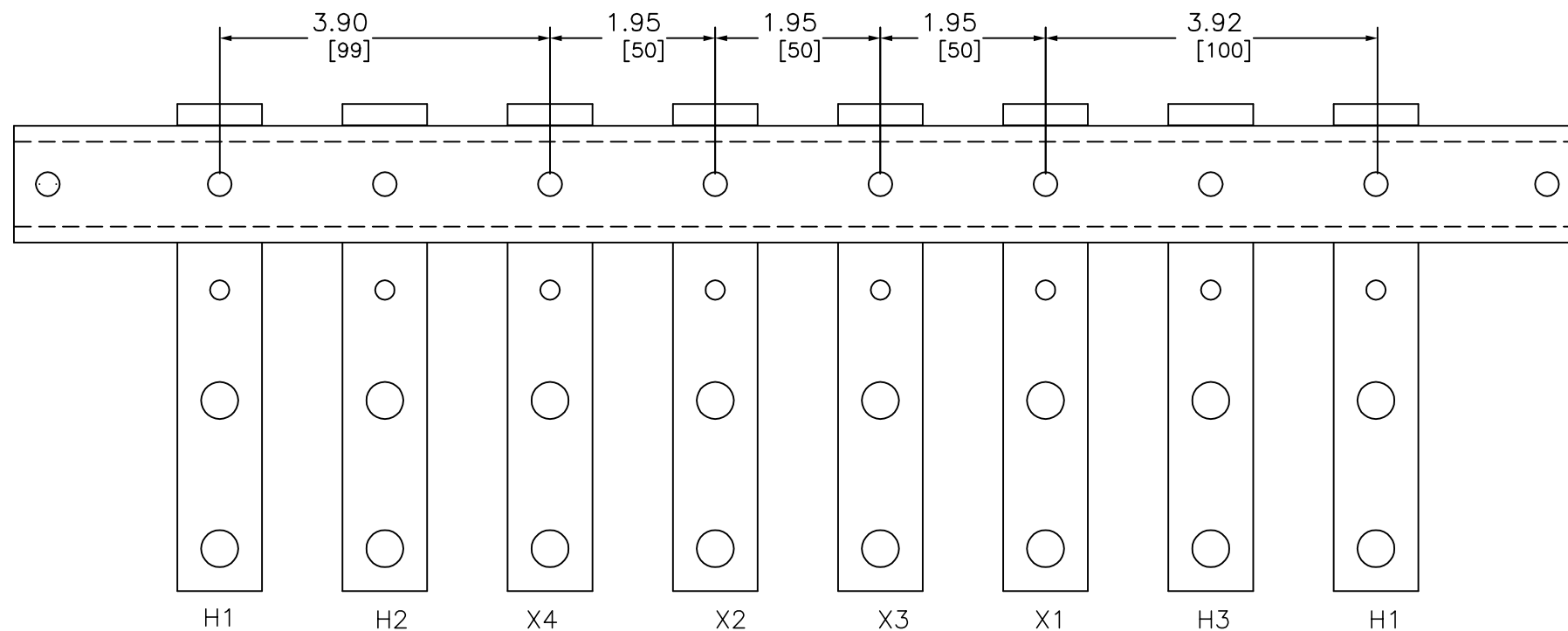
SEISMIC QUALIFICATION:  
 TO BE COMPLIANT WITH THE SEISMIC REQUIREMENTS OF ASCE/SEI 7, THIS UNIT HAS BEEN QUALIFIED BY SHAKE TABLE TESTING THROUGH SELF CERTIFICATION TO ICC ES AC156. CONTACT YOUR LOCAL SCHNEIDER ELECTRIC/SQUARE D REPRESENTATIVE FOR RELATED QUESTIONS.

DUAL DIMENSIONS: INCHES MILLIMETERS

LOW VOLTAGE ENERGY EFFICIENT, TP1  
 DRY-TYPE TRANSFORMER  
 CATALOG NO EE37S3H  
 1 PHASE, 37.5kVA, AL  
 PRIMARY 240 X 480 ,SECONDARY 120/240



DWG# 6312-0199  
 NO.



DUAL DIMENSIONS: INCHES  
MILLIMETERS

LOW VOLTAGE ENERGY EFFICIENT, TP1  
 DRY-TYPE TRANSFORMER  
 CATALOG NO EE37S3H  
 1 PHASE, 37.5kVA, AL  
 PRIMARY 240 X 480 ,SECONDARY 120/240



DWG# 6312-0199  
 NO.