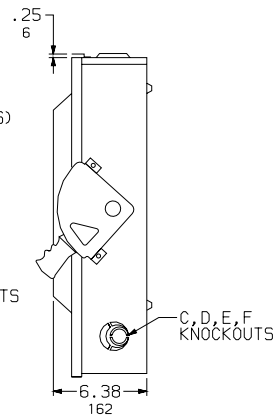
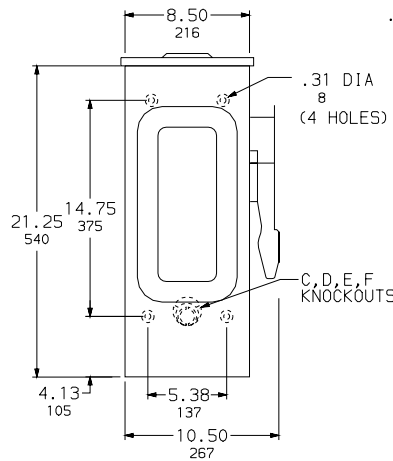


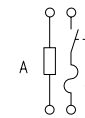
NEMA TYPE 1



NEMA TYPE 3R ▲

WIRING DIAGRAMS

FUSIBLE



TERMINAL LUGS ‡

AMPERES	MAX. WIRE	MIN. WIRE	TYPE
100	1/0 AWG	#12 AWG	AL
	1/0 AWG	#14 AWG	CU

KNOCKOUTS

SYMBOL	CONDUIT SIZE		DIAMETER	
	IN	MM	IN	MM
A	.50	13	.88	22
B	.75	19	1.13	29
C	1.00	25	1.38	35
D	1.25	32	1.75	45
E	1.50	38	2.00	51
F	2.00	51	2.50	64

DUAL DIMENSIONS: INCHES  
MILLIMETERS

NOTES:

- FINISH - GRAY BAKED ENAMEL
- UL LISTED - FILE E-2875
- ALL NEUTRALS - INSULATED GROUNDABLE
- SUITABLE FOR USE AS SERVICE EQUIPMENT
- SHORT CIRCUIT CURRENT RATINGS:
  - 10,000 AMPERES WITH CLASS H OR K FUSES.
  - 200,000 AMPERES WITH CLASS R FUSES HAVING CLASS R REJECTION KITS INSTALLED OR CLASS J FUSES.
- WHEN MOUNTING THESE SWITCHES, ALLOW 4.00 IN / 102 MM MIN. CLEARANCE BETWEEN ENCLOSURES FOR OPENING OF SIDE HINGED DOOR.
- ▲ TOP OF NEMA TYPE 3R DEVICES HAVE PROVISIONS FOR MAXIMUM 2.50 IN / 64 MM BOLT-ON HUB.
- \* FOR CORNER GROUNDED DELTA SYSTEMS ONLY.
- ‡ LUGS SUITABLE FOR 60°C OR 75°C COPPER OR ALUMINUM CONDUCTORS.

CATALOG NUMBER	VOLTAGE RATINGS	WIRING DIAG.	HORSEPOWER RATINGS				
			240VAC				250 VDC
			1Ø	3Ø	1Ø	3Ø	
H223N H223NRB	240VAC; 250VDC 240VAC; 250VDC	A A	7 1/2 7 1/2	15* 15*	15 15	30* 30*	20 20

HEAVY DUTY SAFETY SWITCHES  
VISIBLE BLADE TYPE  
100 AMPERE  
ENCLOSURE - NEMA TYPE 1 GENERAL PURPOSE  
NEMA TYPE 3R RAINPROOF



DWG. NO. 2127