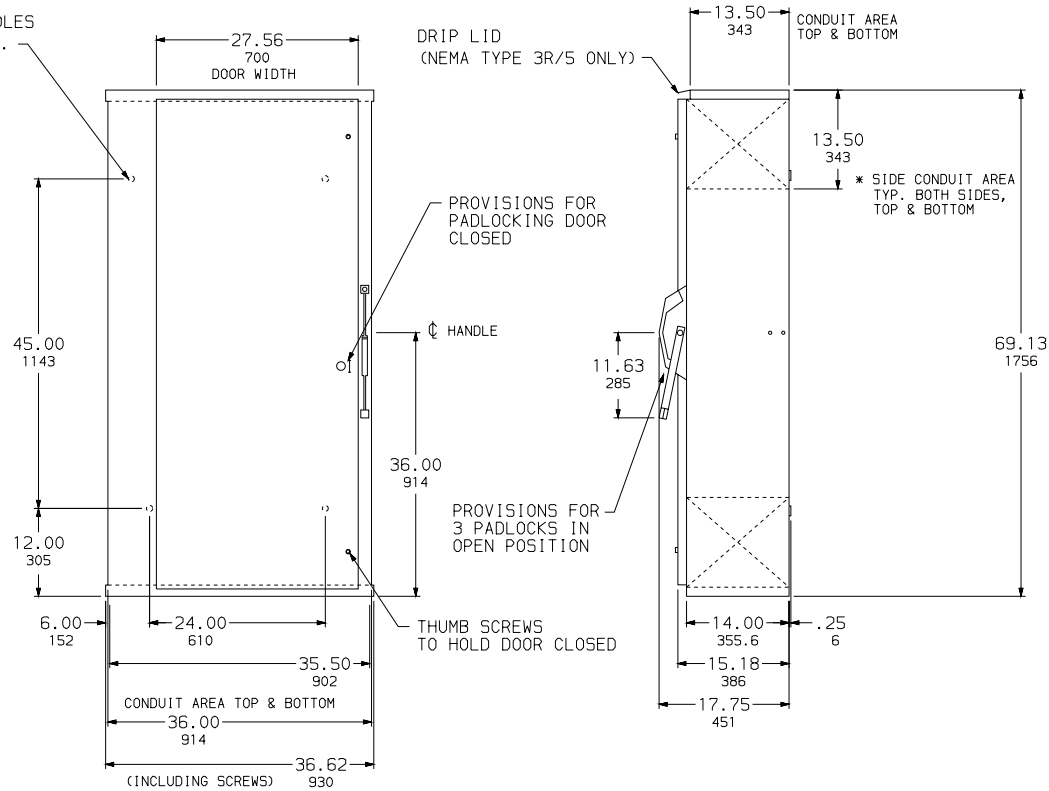


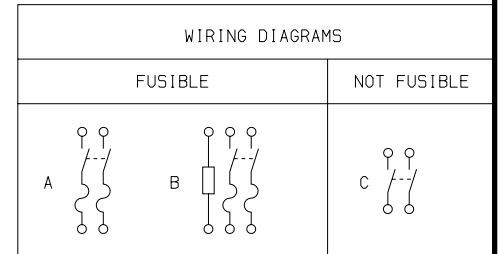
MOUNTING HOLES
(4) .44 DIA.
11



FRONT VIEW

RIGHT SIDE VIEW
NEMA TYPE 1 & 3R/5

NOTES: FINISH - GRAY BAKED ENAMEL-ANSI #49
UL LISTED - FILE E-154828
CSA CERTIFIED - FILE LL-97406-3
ALL NEUTRALS - INSULATED GROUNDABLE (SHIPPED LOOSE)
SUITABLE FOR USE AS SERVICE EQUIPMENT
SHORT CIRCUIT RATING:
200,000 AMPERES WHEN USED WITH OR PROTECTED BY CLASS L FUSES.
75 LBS. MAX. FORCE REQUIRED TO OPERATE HANDLE.
FOR NEMA TYPE 3R APPLICATIONS 1/4-20 DRAIN SCREW MUST BE REMOVED.



TERMINAL LUGS			
AMPERES	MAX. WIRE	MIN. WIRE	TYPE
800	(3) 750 KCMIL	(3) #3/0 AWG	75°C AL OR CU

FUSE PROVISIONS			
AMPERES	TYPE	AMPERES	TYPE
800	CLASS "L"	600	CLASS "J"

* SIDE ENTRY/EXIT MUST MEET ALL APPLICABLE STANDARDS & CODES.

DUAL DIMENSIONS: INCHES
MILLIMETERS

CATALOG NUMBER	VOLTAGE RATINGS	WIRING DIAG.	3 PHASE HORSEPOWER RATINGS		DC HORSEPOWER RATINGS			
			240VAC		250VDC		600VDC	
			STD.	MAX.	STD.	MAX.	STD.	MAX.
H227	240VAC; 250VDC	A	-	-	50	50	-	-
H227R	240VAC; 250VDC	A	-	-	50	50	-	-
H227N	240VAC; 250VDC	B	-	-	50	50	-	-
H227NR	240VAC; 250VDC	B	-	-	50	50	-	-
H267	600VAC; 600VDC	A	-	-	-	-	50	50
H267R	600VAC; 600VDC	A	-	-	-	-	50	50
HU267	600VAC; 600VDC	E	-	-	-	-	50	50
HU267R	600VAC; 600VDC	E	100	100	-	-	50	50

HEAVY DUTY SAFETY SWITCHES
VISIBLE BLADE TYPE
800 AMPERE
ENCLOSURE - NEMA TYPE 1 GENERAL PURPOSE
NEMA TYPE 3R RAINPROOF
NEMA TYPE 5 DUST TIGHT (INDOOR)

SQUARE D COMPANY

DWG. NO. 2175