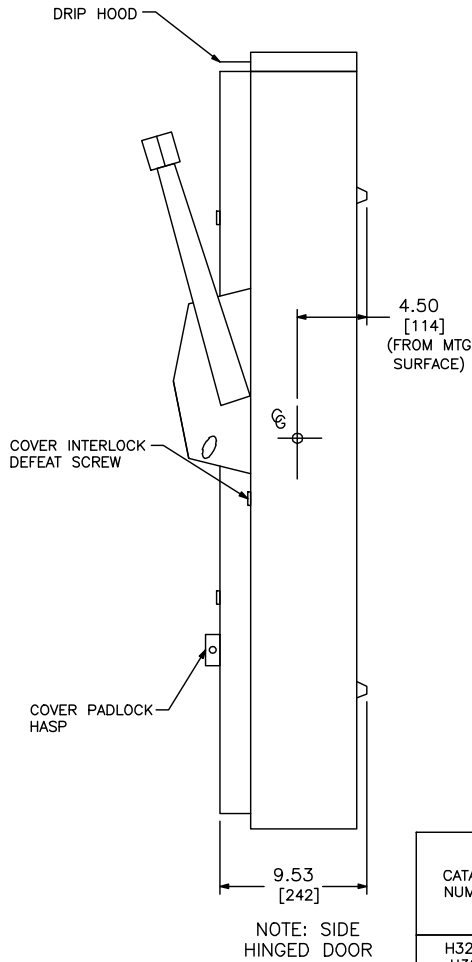
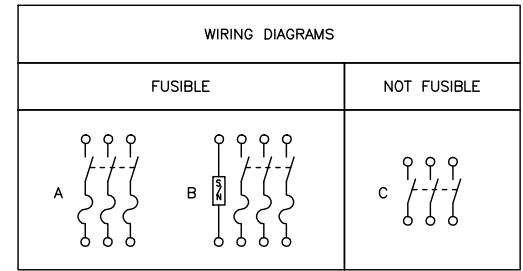


NEMA TYPE 3R
NO KNOCKOUTS

NOTES:
FINISH - GRAY BAKED ENAMEL
UL LISTED - FILE E-154828
ALL NEUTRALS - INSULATED GROUNDABLE
SUITABLE FOR USE AS SERVICE EQUIPMENT
SHORT CIRCUIT CURRENT RATINGS:
10,000 AMPERES WHEN USED WITH OR PROTECTED BY CLASS H OR K FUSES.
200,000 AMPERES WHEN USED WITH OR PROTECTED BY CLASS R FUSES HAVING
CLASS R REJECTION KITS INSTALLED OR CLASS J FUSES.



NOTE: SIDE HINGED DOOR



TERMINAL LUGS DATA

| AMPERE | MAX WIRE | MIN WIRE | TYPE |
|--------|---------------------|--------------------|----------|
| 400 | (1) 750 KCMIL OR | (1) #1/0 AWG OR | AL OR CU |
| | (2) 300 KCMIL | (2) #1/0 AWG | |

SEISMIC NOTES:
USE (4) 3/8" DIA GRADE 5 STEEL MOUNTING BOLTS @ HOLES AA
MAX CONFIGURED WEIGHT 179 LB FOR THE PURPOSE OF DETERMINING
SEISMIC ANCHORAGE REQUIREMENTS. FOR ALL OTHER APPLICATIONS,
CONTACT SCHNEIDER ELECTRIC.

DUAL DIMENSIONS: INCHES
MILLIMETERS

| CATALOG NUMBER | VOLTAGE RATINGS | WIRING DIAG | HORSEPOWER RATINGS | | | | | | | |
|----------------|-----------------|-------------|--------------------|-----|--------|-----|--------|-----|---------|---------|
| | | | 240VAC | | 480VAC | | 600VAC | | 250 VDC | 600 VDC |
| | | | STD | MAX | STD | MAX | STD | MAX | STD | STD |
| H325NR | 240VAC;250VDC | B | 50 | 125 | - | - | - | - | 50 | - |
| H325R | 240VAC;250VDC | A | 50 | 125 | - | - | - | 50 | - | |
| H365NR | 600VAC;600VDC | B | 50 | 125 | 100 | 250 | 125 | 350 | 50 | 50 |
| H365R | 600VAC;600VDC | A | 50 | 125 | 100 | 250 | 125 | 350 | 50 | 50 |
| HU365R | 600VAC;600VDC | C | - | 125 | - | 250 | - | 350 | 50 | 50 |

HEAVY DUTY SAFETY SWITCHES
VISIBLE BLADE TYPE
400 AMPERE - SERIES E5
ENCLOSURE - NEMA TYPE 3R RAINPROOF (SUFFIX R)
SEISMIC



DWG# 3455S
NO.