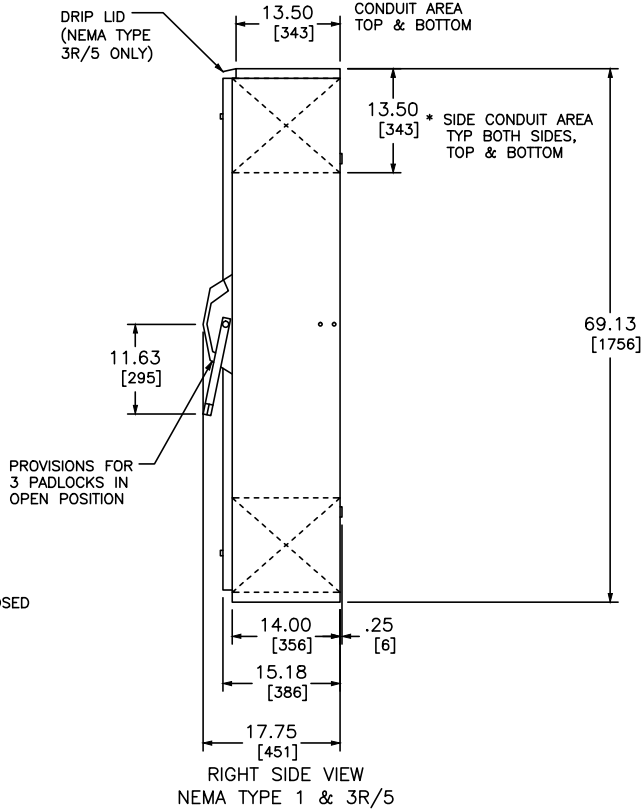
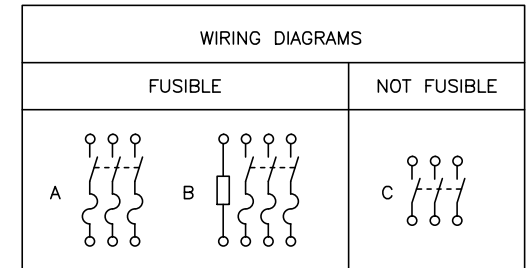


FRONT VIEW



RIGHT SIDE VIEW
NEMA TYPE 1 & 3R/5



TERMINAL LUGS			
AMPERES	MAX WIRE	MIN WIRE	TYPE
800	(3) 750 KCMIL	(3) #3/0 AWG	75°C AL OR CU

FUSE PROVISIONS	
AMPERES	TYPE
800	CLASS "L"

* SIDE ENTRY/EXIT MUST MEET ALL APPLICABLE STANDARDS & CODES

DUAL DIMENSIONS: INCHES
MILLIMETERS

NOTES:
 FINISH - GRAY BAKED ENAMEL-ANSI #49
 UL LISTED - FILE E-154828
 CSA CERTIFIED - FILE LL-97406-3
 ALL NEUTRALS - INSULATED GROUNDABLE (SHIPPED LOOSE)
 SUITABLE FOR USE AS SERVICE EQUIPMENT
 SHORT CIRCUIT RATING:
 200,000 AMPERES WHEN USED WITH OR PROTECTED BY CLASS L FUSES.
 75 LBS. MAX. FORCE REQUIRED TO OPERATE HANDLE.
 FOR NEMA TYPE 3R APPLICATIONS 1/4-20 DRAIN SCREW MUST BE REMOVED.

CATALOG NUMBER	VOLTAGE RATINGS	WIRING DIAG.	3 PHASE HORSEPOWER RATINGS						DC HORSEPOWER RATINGS			
			240VAC		480VAC		600VAC		250VDC		600VDC	
			STD	MAX	STD	MAX	STD	MAX	STD	MAX	STD	MAX
H327	240VAC;250VDC	A	100	250	-	-	-	-	50	50	-	-
H327R	240VAC;250VDC	A	100	250	-	-	-	-	50	50	-	-
H327N	240VAC;250VDC	B	100	250	-	-	-	-	50	50	-	-
H327NR	240VAC;250VDC	B	100	250	-	-	-	-	50	50	-	-
H367	600VAC;600VDC	A	100	250	200	500	250	500	-	-	50	50
H367R	600VAC;600VDC	A	100	250	200	500	250	500	-	-	50	50
H367N	600VAC;600VDC	B	100	250	200	500	250	500	-	-	50	50
H367NR	600VAC;600VDC	B	100	250	200	500	250	500	-	-	50	50
HU367	600VAC;600VDC	C	100	100	-	500	-	500	-	-	50	50
HU367R	600VAC;600VDC	C	100	100	-	500	-	500	-	-	50	50

HEAVY DUTY SAFETY SWITCHES
 VISIBLE BLADE TYPE
 800 AMPERE / ENCLOSURE-NEMA TYPE 1 GENERAL PURPOSE
 NEMA TYPE 3R RAINPROOF
 NEMA TYPE 5 DUST TIGHT (INDOOR)



DWG# 1938
NO.