

Enclosed Safety Switches

Catalog
3100CT1602
2016
Class 3100



CONTENTS

Description	Page
Catalog Number Description	Page 3
General Duty Safety Switches	Page 5
Heavy Duty Safety Switches	Page 17
Double Throw Safety Switches	Page 63

CONTENTS

CATALOG NUMBER DESCRIPTION	3
GENERAL DUTY SAFETY SWITCHES	5
Product Description	5
Configuration	5
Construction	5
Enclosures	6
Accessories	6
Class R Fuse Kits	6
Fuse Puller Kits	6
Equipment Grounding Kits	7
Electrical Interlock Kits	7
Optional Field-Installed Lug Kit	8
Class J Fuse Kit	8
Application	8
Standards	9
Ratings & Dimensions	13
HEAVY DUTY SAFETY SWITCHES	15
Product Description	15
Applications	17
Standards	17
Configuration	18
Construction	18
Enclosures	20
Special Applications	21
316 Grade Stainless Steel	21
Fiberglass Reinforced Polyester Enclosures	22
Krydon™ Enclosures - Type 4X	23
NEMA 7/9	24
Receptacle Switches	25
Appleton Powertite™ Receptacle	25
Crouse-Hinds Arkrite™ Receptacle	26
Hubbellock™ Receptacle	27
Accessories	28
Rainproof Bolt-On Hubs	28
Watertight Hubs	28
Solid Neutral Assemblies	29
Equipment Grounding Kits	30
Cover Viewing Window	31
Electrical Interlock Kits	31
Class R Fuse Kits	32
Fuse Puller Kits	33
Copper Lug Kits	33
Double Lug Kits	34
Compression Lug Kits	34
Key Interlock System	35
Lock-Off Guard Kits	37
Lock-On Provisions	38
Internal Barrier Kits	38
Special Paint	39
Voltage-Indicating Safety Switches	39
Phenolic Legend Plate	40
Switch Lubricant	40
General Information	40
DOUBLE THROW SAFETY SWITCHES	63
Product Description	63
Construction	63
Enclosures	63
Accessories	64
Applications	64
Standards	65
Technical Data	65
Service Grounding Kit	69
Solid Neutral Assembly	69
Electrical Interlocks	70
Class R Fuse Kits	70
Lock-ON Provisions	71
Ratings & Dimensions	72

Note: For information on **Replacement Parts** with specific part numbers, go to www.schneider-electric.us, click on the Support tab, click Product FAQ from the drop down list, enter the device catalog number within the search field, click the search arrow, then look for the information required.

General Duty Switches Catalog Number Description

Table 1: General Duty Switches Catalog Number Description

Number Segment	Character	Description	D	3	2	1	N	RB	—
Type of Switch	Fusible	L = Light duty D = General duty							
	Non-Fusible	DU = General duty							
Blades—Switch Poles	1	One-pole							
	2	Two-poles							
	3	Three-poles							
Voltage Rating	1	120 V ac (plug fuse)							
	2	240 V ac							
Ampere Rating	1	30 A							
	2	60 A							
	3	100 A							
	4	200 A							
	5	400 A							
	6	600 A							
	7	800 A							
Neutral	N	Factory-installed neutral (neutrals are field-installed on most general duty safety switches).							
Enclosure	No suffix	Type 1							
	R	Type 3R							
	RB	Type 3R (bolt-on hub provision)							
Factory Modifications ¹									

¹ Factory modifications are not available for Light duty or General duty safety switches.

GENERAL DUTY SAFETY SWITCHES CONTENTS

- Product Description 5
 - Configuration 5
 - Construction 5
 - Enclosures 6
- Accessories 6
 - Class R Fuse Kits 6
 - Fuse Puller Kits 6
 - Equipment Grounding Kits 7
 - Electrical Interlock Kits 7
 - Optional Field-Installed Lug Kit 8
 - Class J Fuse Kit 8
- Applications 8
- Standards 9
- Ratings and Dimensions 13

General Duty Safety Switches

Product Description

Light duty safety switches are ideal for home applications when disconnecting power to workshops, hobby rooms, furnaces and garages.

General duty safety switches are designed for residential and commercial applications where durability and economy are prime considerations. Typical loads include lighting, air conditioning, and appliances. They are suitable for use as service equipment when equipped with a factory-installed neutral assembly or field-installed service grounding kit, as applicable.

Light duty and General duty safety switches are UL[®] Listed, File E2875, and meet or exceed the NEMA[®] Standard KS1.

Configuration

- One fusible switched pole with insulated neutral
- Two fusible switched poles with insulated neutral
- Three fusible, switched poles with insulated neutral
- Two or three, not fusible, switched poles without insulated neutral

Construction

- Indoor Type 1 or Outdoor Type 3R enclosures
- Visible blades for positive indication that the switch is OFF
- Quick-make, quick-break operating mechanism (General duty only)
- Lugs suitable for aluminum or copper conductors (See Page 8 and 9 for additional lug data)
- Spring reinforced, plated copper fuse clips
- Series F handle/lock-plate is a field-replaceable modular design
- Series F operating mechanism is an enclosed, field-replaceable, modular design
- Series F Type 3R covers have side opening construction
- Top endwalls in 30–200 A Type 3R switches have bolt-on hub provisions
- Multiple padlock provisions in OFF position
- Tangential knockouts alleviate the need for offset bends



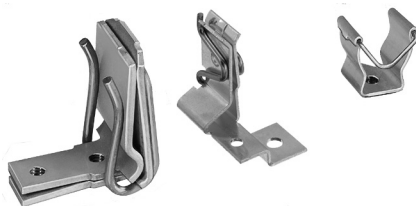
Light Duty



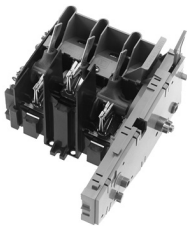
General Duty



Visible Blade Construction

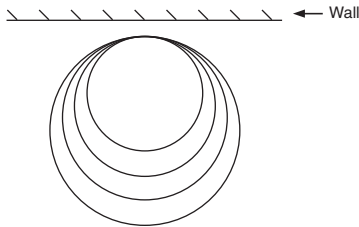


Spring Reinforced Fuse Clips

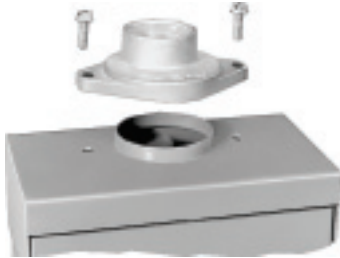


Operating Mechanism with Line Base
Series F

Enclosed Safety Switches General Duty Safety Switches



Tangential Knockouts



RB Hub Provisions 30–200 A

Enclosures

Enclosures are finished in gray, baked enamel that is electrodeposited on cleaned, phosphatized steel.

- Type 1 general purpose, indoor
- Type 3R general purpose, outdoor

Accessories

Rainproof Hubs

Bolt-on hubs for rainproof applications. Switches with RB suffix accept 3/4 in. (19 mm) through 2-1/2 in. (63 mm) bolt-on hubs. Switches with R suffix have blank endwalls.

Table 2: Rainproof Bolt-On Hubs—For Use on Type 3R Enclosures

Conduit Size	3/4	1	1-1/4	1-1/2	2	2-1/2	3	3-1/2	4	Closing Cap
Hub Cat. Number	B075	B100	B125	B150	B200	B250	B300	B350	B400	BCAP

Type 3R rainproof enclosures with catalog number ending in RB have a bolt-on closing cap factory-installed. Order bolt-on hubs separately from table above. Hubs through size 2-1/2 in. (63 mm) can be directly installed on RB devices. Devices requiring 3 in. (76 mm) or larger hubs must have holes cut in the field. Gaskets are provided on 3 in. (76 mm) and larger hubs. All hubs are UL Listed for indoor and rainproof applications and suitable for use with conduit having ANSI standard taper pipe thread.

Class R Fuse Kits

- This kit rejects all but Class R fuses when installed
- For systems up to 100,000 rms symmetrical amperes



Class R Fuse Kits
Series F Switches Only



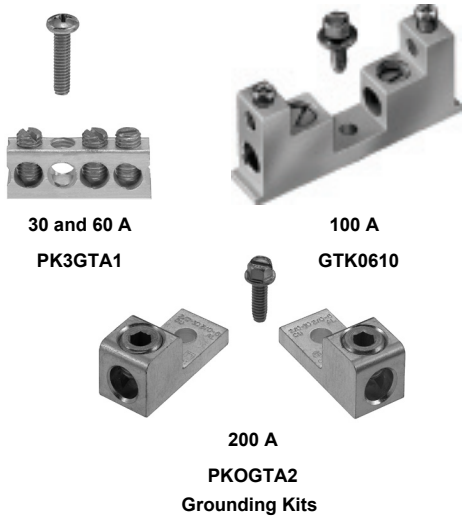
Fuse Puller Kit
Series F Switches Only

Fuse Puller Kits

The Fuse Puller kits consists of three fuse pullers as required for a three-pole fusible 60 or 100 A general duty switch. Kits can be field installed into 60 or 100 A Series F switches.

Table 3: Fuse Puller Kits

Switch Ampere Rating	Series Number	Fuse Puller Kit Catalog Number
60	F	FPK03
100	F	FPK0610



Equipment Grounding Kits

- Aluminum or copper conductors
- Field-installed

Table 4: Equipment Grounding Kits

Switch Ampere Rating	Catalog Number	Lug Wire Range AWG
30 ¹	Std.	(1) 14 - 10 Cu or (1) 12 - 8 Al
30	PK3GTA1	(3) 14 - 4 Cu or (3) 12 - 4 Al or (6) 14 - 12 Cu or (6) 12 - 10 Al
60 ²	GTK03	(2) 14 - 4 Cu or (2) 12 - 4 Al (4) 14 - 12 Cu or (4) 12 - 10 Al
100	GTK0610	(2) 14 - 1/0 Cu or (2) 12 - 1/0 Al (2) 14 - 6 Cu or (2) 12 - 6 Al
200	PKOGTA2	(2) 10 - 2/0 Cu or (2) 6 - 2/0 Cu Al
400, 600	PKOGTA2 ³	(2) 10 - 2/0 Cu or (2) 6 - 2/0 Cu Al
800	PKOGTA3	(6) 6 - 3/0 Al/Cu Max.

¹ Light duty safety switches.

² 60 A non-fusible switches accept PK3GTA1.

³ Two required if ground conductors are run in parallel.

Electrical Interlock Kits

Electrical interlocks for Series F 100–200 A general duty safety switches and Series F 60 A fusible general duty safety switches, are available in kit form for field installation. Each kit contains instructions for proper field mounting. A pivot arm operates from the switch mechanism, breaking the control circuit before the main switch blades break. Switches with electrical interlocks installed are UL Listed.

Table 5: Electrical Interlock Kits

Switch Ampere Rating	Electrical Interlock Kit Catalog Number ¹
Fusible Series F 60	EIK031 or EIK032
Series F 100–200	EIK1 or EIK2

¹ Electrical interlock kit catalog numbers ending with a "1" indicate one normally open and one normally closed contact; ending with a "2" indicates two normally open and two normally closed contacts. Kits are UL Listed.

Table 6: Electrical Interlock Contact Ratings¹

Interlock Type	AC 50 or 60 Hz				DC		
	Volts	Make	Break	Cont.	Volts	Make / Break	Cont.
1 N. O. / 1 N. C. Contact (Ending in 1 ²)	120	40.00 A	15.00 A	15.00 A	115	0.50 A	15.00 A
	240	20.00 A	10.00 A	15.00 A	230	0.25 A	15.00 A
2 N. O. / 2 N. C. Contacts (Ending in 2 ³)	120	30.00 A	3.00 A	10.00 A	115	1.00 A	10.00 A
	240	15.00 A	1.50 A	10.00 A	230	0.30 A	10.00 A

¹ Single-pole, single-throw interlock kits are rated 1/2 hp at 110 and 220 V ac.

² An Electrical interlock catalog number ending in 1 uses a 9007A01 limit switch.

³ An Electrical interlock catalog number ending in 2 uses a 9007C03 limit switch.

Enclosed Safety Switches General Duty Safety Switches



Field-Installed Lug Kit for 400 and 600 A Devices

Optional Field-Installed Lug Kit 400–600 A

Kit consists of three line, three load and two neutral lugs as required for a three-pole 400 A (Type 1) or 600 A (Type 1 or 3R) general duty switch.

Table 7: Field-Installed Lug Kit 400–600 A

Switch Ampere Rating	Lug Kit Catalog Number	Wire Range/NEC®	Lug Wire Range
400 or 600 Series ¹	GD4060LK	1-1/0-600 kcmil 2-1/0-500 kcmil 4-1/0-250 kcmil	2-1/0-600 kcmil 4-1/0-250 kcmil

¹ Not suitable for use on 400 A Type 3R.

Class J Fuse Kit 600 A

The Class J Fuse kit consists of three Class J fuse adapters as required for a two- or three-pole fusible 600 A general duty switch.

Table 8: Class J Fuse Kit 600 A

Switch Ampere Rating	Class J Kit Cat. No.
600 A	GDJK600

Application

Light Duty Safety Switches are ideal for home applications in disconnecting power to workshops, hobby rooms, furnaces and garages:

- Visible blades
- 10,000 A short circuit current rating
- 30 A fusible and non-fusible, 120 V ac, 120/240 V ac
- Replacement parts not available
- Load-make, load-break rated for the switch current rating except L111N
- Horsepower rated except L111N
- Available with plug or cartridge fuse holders
- Grounding kit standard

General Duty Safety Switches are designed for the following applications:

- Residential and light commercial applications
- Infrequent or moderate operations
- 240 V ac maximum
- Up to 100,000 rms symmetrical amperes, using appropriately rated Class R fuses and Class R Fuse Kit, or Class T, or Class J fuses and appropriate Class J Kit
- 30–800 A
- Horsepower rated
- Load-make, load-break rated for the switch current rating



Light Duty



General Duty

Enclosed Safety Switches General Duty Safety Switches

Table 9: Fusible Safety Switch Short Circuit Current Rating

Fuse Class	UL Listed Short Circuit Rating
Plug	10 kA
H, K	10 kA
J ¹ , R	100 kA
T ²	100 kA

¹ Only applicable to 200–600 A except D325NT, D325NTR, D326NT and D326NTR.

² Only applicable to D325NT, D325NTR, D326NT, D326NTR, T327N and T327NR.

Table 10: Non-Fusible Safety Switch Short Circuit Current Rating

Fuse Class or Circuit Breaker Type ¹	UL Listed Short Circuit Rating
Any Brand Circuit Breaker	10 kA
H or J PowerPact Circuit Breaker	Up to 65 kA ²
H, K	10 kA
J, R	100 kA ³
T	100 kA ⁴

¹ Ampere rating of fuse or circuit breaker not to exceed switch ampere ratings.

² Only applicable to DU324 and DU324NRB. HD, JD = 25 kA maximum.

³ SCCR = 50 kA, applicable to DU222RB, DU322 and DU322RB.

⁴ Only applicable to DU323, DU323RB, DU325 and DU326.

Standards

General duty safety switches are manufactured in accordance with these standards:

- UL 98, Standard for Enclosed and Dead Front Switches. UL Listed File E2875
- NEMA Standards Publication KS1, Enclosed Switches
- Federal Specifications WS-865c for Type NDS (Type 1) and Type LD (Type 3R)

Table 11: Terminal Lug Data ¹

Ampere Rating	Conductors Per Phase	Wire Range Wire Bending Space Per NEC® Table 312.6 AWG/kcmil	Lug Wire Range AWG/kcmil
30 ²	1	12–8 (Al) or 14–8 (Cu)	12–8 (Al) or 14–8 (Cu)
30		12–6 (Al) or 14–6 (Cu)	12–6 (Al) or 14–6 (Cu)
60	1	12–3 (Al) or 14–3 (Cu)	12–2 (Al) or 14–2 (Cu)
100	1	12–1 (Al) or 14–1 (Cu)	12–1/0 (Al) or 14–1/0 (Cu)
200	1	6–250 (Al/Cu)	6–300 (Al/Cu)
400 Type 1	1 or 2	1/0–600 (Al/Cu) or	(1) 1/0–750 (Al/Cu) or
		1/0–300 (Al/Cu)	(2) 1/0–300 (Al/Cu)
400 Type 3R	2	1/0–250 (Al/Cu)	(1) 1/0–600 (Al/Cu) or (2) 1/0–250 (Al/Cu)
600	2	4–500 (Al/Cu)	4–600 (Al/Cu)
800	3	3/0–500 (Al/Cu)	3/0–500 (Al/Cu)

¹ 30–100 A switches suitable for 60°C (140 °F) or 75°C (167 °F) conductors. 200–800 A switches suitable for 75°C (167 °F) conductors.

² Light duty switches only.

Enclosed Safety Switches

General Duty Safety Switches

Table 12: Accessories for Current Series General Duty Safety Switches

Catalog Number	Series	Class J Fuse Kit Available for Field-Installation	Class R Fuse Kit Available for Field-Installation ¹	Fuse Puller Kit	Solid Neutral Kit (Al/Cu)	Equipment Grounding Kit (Al/Cu)	Optional Field Installed Lug Kit (Al/Cu) ⁴	Electrical Interlock Kit (1NO/1NC Contacts)	Electrical Interlock Kit (2NO/2NC Contacts)
L111N L211N L221N	E2	—	—	—	Std.	Std.	—	—	—
D211N D211NRB	E3 E2	—	—	—	Std.	PK3GTA1	—	—	—
D221N D221NRB	E3	—	DRK30	—	Std.	PK3GTA1	—	—	—
D222N D222NRB	F1	—	RFK03H	FPK03	Std.	GTK03	—	EIK031	EIK032
D223N D223NRB	F3	—	RFK10	FPK0610	Std.	GTK0610	VCEL02114S1	EIK1	EIK2
D224N D224NRB	F1	—	HRK1020	—	Std. ³	PKOGTA2	VCEL030516H1	EIK1	EIK2
D225N	E3	—	DRK40	—	Std.	PKOGTA2 ²	GD4060LK	—	—
D225NR	E1						—		
D226N	E3	GDJK600	DRK600	—	Std.	PKOGTA2 ²	GD4060LK	—	—
D226NR	E1								
D321N D321NRB	E3	—	DRK30	—	Std.	PK3GTA1	—	—	—
D322N D322NRB	F1	—	RFK03H	FPK03	Std.	GTK03	—	EIK031	EIK032
D323N D323NRB	F3	—	RFK10	FPK0610	Std.	GTK0610	VCEL02114S1	EIK1	EIK2
D324N D324NRB	F1	—	HRK1020	—	Std. ³	PKOGTA2	VCEL030516H1	EIK1	EIK2
D325N	E3	—	DRK40	—	Std.	PKOGTA2 ²	GD4060LK	—	—
D325NT			—						
D325NR	E1	—	DRK40	—	Std.	PKOGTA2 ²	—	—	—
D325NTR			—						
D326N	E3	GDJK600	DRK600	—	Std.	PKOGTA2 ²	GD4060LK	—	—
D326NT		—	—						
D326NR	E1	GDJK600	DRK600	—	Std.	PKOGTA2 ²	GD4060LK	—	—
D326NTR		—	—						
DU221RB	E2	—	—	—	—	PK3GTA1	—	—	—
DU222RB	E1	—	—	—	—	PK3GTA1	—	—	—
DU321	E2	—	—	—	—	PK3GTA1	—	—	—
DU321RB									
DU322	E1	—	—	—	—	PK3GTA1	—	—	—
DU322RB									
DU323 DU323RB	F3	—	—	—	SN0610	GTK0610	VCEL02114S1	EIK1	EIK2
DU324 DU324RB	F1	—	—	—	SN20 ³	PKOGTA2	VCEL030516H1	EIK1	EIK2
DU325	E3	—	—	—	—	PKOGTA2 ²	GD4060LK	—	—
DU326	E3	—	—	—	D600SN	PKOGTA2 ²	GD4060LK	—	—

¹ When installed, this kit rejects all but Class R fuses.

² Use two PKOGTA2 if grounding conductors are run in parallel.

³ For 200% neutral, order one additional neutral kit SN20A and one neutral jumper kit SN20NI.

⁴ VCEL02114S1 and VCEL030516H1 are Versa-Crimp™ lugs. GD4060LK is a mechanical lug kit.

—Continued

Enclosed Safety Switches General Duty Safety Switches

Table 12: Accessories for Current Series General Duty Safety Switches

Catalog Number	Series	Class J Fuse Kit Available for Field-Installation	Class R Fuse Kit Available for Field-Installation ¹	Fuse Puller Kit	Solid Neutral Kit (Al/Cu)	Equipment Grounding Kit (Al/Cu)	Optional Field Installed Lug Kit (Al/Cu) ⁴	Electrical Interlock Kit (1NO/1NC Contacts)	Electrical Interlock Kit (2NO/2NC Contacts)
QO200TR ⁵	G3	—	—	—	—	Std.	—	—	—
QO260NATS ⁵	E2				—	Std.			
QO2000NRB ⁶	E1				Std.	PKOGTA2			
QO2000NS ⁶	E1				Std.	PKOGTA2			
T327N T327NR	E1	—	—	—	Std.	PKOGTA3	—	—	—

- ¹ When installed, this kit rejects all but Class R fuses.
² Use two PKOGTA2 if grounding conductors are run in parallel.
³ VCEL02114S1 and VCEL030516H1 are Versa-Crimp™ lugs. GD4060LK is a mechanical lug kit.
⁴ Enclosed QO200 (60 A) molded case switch.
⁵ For 200% neutral, order one additional neutral kit SN20A and one neutral jumper kit SN20NI.
⁶ Enclosed QO2000 (100 A) molded case switch.

Table 13: 30–800 A Horsepower Ratings General Duty Safety Switches

Catalog Number	Series	Horsepower Ratings					
		120 V ac		240 V ac		240 V ac	
		Std.	Max.	Std.		Max.	
		1Ø	1Ø	1Ø	3Ø	1Ø	3Ø
L111N L211N L221N	E2	— 1/2 1/2	— 2 2	— 1-1/2 1-1/2	—	— 3 3	—
D211N D211NRB	E3 E2	1/2	2	1-1/2	—	3	—
D221N D221NRB	E3	—	—	1-1/2	3 ¹	3	7-1/2 ¹
D222N D222NRB	F1	1-1/2	3	3	7-1/2 ¹	10	15 ¹
D223N D223NRB	F3	—	—	7-1/2	15 ¹	15	30 ¹
D224N D224NRB	F1	—	—	15	25 ¹	—	60 ¹
D225N D225NR	E3 E1	—	—	—	—	—	—
D226N D226NR	E3 E1	—	—	—	—	—	—
D321N D321NRB	E3	—	—	1-1/2	3	3	7-1/2
D322N D322NRB	F1	1-1/2	3	3	7-1/2	10	15
D323N D323NRB	F3	—	—	7-1/2	15	15	30
D324N D324NRB	F1	—	—	15	25	—	60
D325N D325NT	E3	—	—	—	50	—	125 —

¹ For corner grounded delta systems only, use switching poles for ungrounded conductors

—Continued

Enclosed Safety Switches General Duty Safety Switches

Table 13: 30–800 A Horsepower Ratings General Duty Safety Switches

Catalog Number	Series	Horsepower Ratings					
		120 V ac		240 V ac		240 V ac	
		Std.	Max.	Std.		Max.	
		1Ø	1Ø	1Ø	3Ø	1Ø	3Ø
D325NR	E1	—	—	—	50	—	125
D325NTR		—	—	—	—	—	—
D326N	E3	—	—	—	75	—	150
D326NT		—	—	—	—	—	—
D326NR	E1	—	—	—	75	—	150
D326NTR		—	—	—	—	—	—
DU221RB	E2	—	—	—	—	3	—
DU222RB	E1	—	—	—	—	10	—
DU321	E2	—	—	—	—	3	7-1/2
DU321RB		—	—	—	—	—	—
DU322	E1	—	—	—	—	10	15
DU322RB		—	—	—	—	—	—
DU323	F3	—	—	—	—	15	30
DU323RB		—	—	—	—	—	—
DU324	F1	—	—	—	—	15	60
DU324RB		—	—	—	—	—	—
DU325	E3	—	—	—	—	—	125
DU326	E3	—	—	—	—	—	150
QO200TR ²	G3	—	—	—	—	10	—
QO260NATS ²	E2	—	—	—	—	10	—
QO2000NRB ³	E1	—	—	—	—	20	—
QO2000NS ³	E1	—	—	—	—	20	—
T327N	E1	—	—	—	100	—	—
T327NR		—	—	—	100	—	—

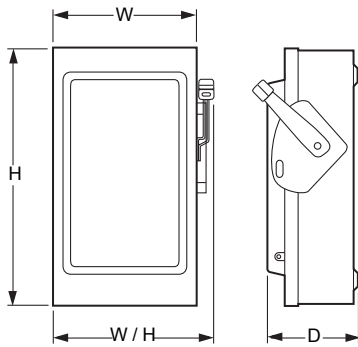
¹ For corner grounded delta systems only, use switching poles for ungrounded conductors.

² Enclosed QO200 (60 A) molded case switch.

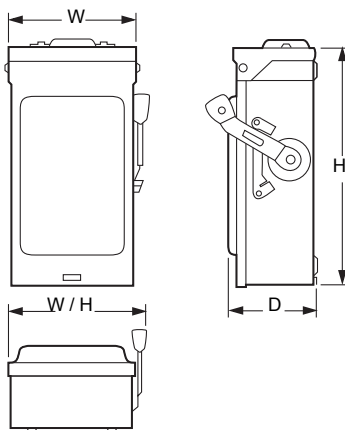
³ Enclosed QO2000 (100 A) molded case switch.

Enclosed Safety Switches General Duty Safety Switches

Table 14: Switch Dimensions



Typical Type 1

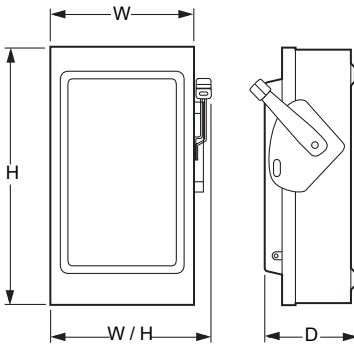


Typical Type 3R

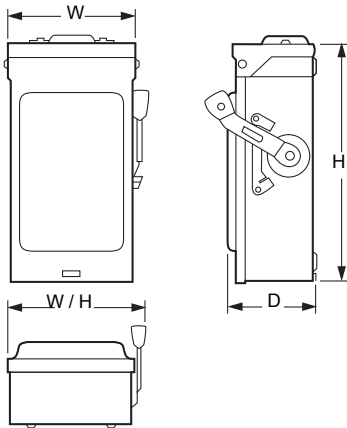
Catalog Number	Series	H		W		W/H		D	
		in.	mm	in.	mm	in.	mm	in.	mm
L111N ¹	E2	7.63	194	5.00	127	6.13	156	4.00	102
L211N ¹	E2	7.63	194	5.00	127	6.13	156	4.00	102
L221N ¹	E2	7.63	194	5.00	127	6.13	156	4.00	102
D211N ¹	E3	9.25	235	6.75	171	7.25	184	3.63	92
D211NRB ¹	E2	9.63	245	7.25	184	7.75	197	3.75	95
D221N ¹	E3	9.25	235	6.75	171	7.25	184	3.63	92
D221NRB ¹	E3	9.63	245	7.25	184	7.75	197	3.75	95
D222N	F1	14.60	371	6.51	165	7.45	189	4.87	124
D222NRB	F1	14.88	378	6.63	168	7.45	189	4.87	124
D223N	F3	17.50	445	8.50	216	10.50	267	6.50	165
D223NRB	F3	17.50	445	8.50	216	10.50	267	6.50	165
D224N	F1	29.00	737	17.25	438	19.00	483	8.25	210
D224NRB	F1	29.25	743	17.25	438	19.00	483	8.25	210
D225N ¹	E3	45.12	1146	24.00	610	24.88	632	8.88	226
D225NR	E1	30.63	778	21.38	543	22.25	565	10.13	257
D226N ¹	E3	49.13	1248	24.00	610	24.88	632	8.88	226
D226NR ¹	E1	49.13	1248	24.75	629	25.13	638	8.88	226
D321N ¹	E3	9.25	235	6.75	171	7.25	184	3.63	92
D321NRB ¹	E3	9.63	245	7.25	184	7.75	197	3.75	95
D322N	F1	14.60	371	6.51	165	7.45	189	4.87	124
D322NRB	F1	14.88	378	6.63	168	7.45	189	4.87	124
D323N	F3	17.50	445	8.50	216	10.50	267	6.50	165
D323NRB	F3	17.50	445	8.50	216	10.50	267	6.50	165
D324N	F1	29.00	737	17.25	438	19.00	483	8.25	210
D324NRB	F1	29.25	743	17.25	438	19.00	483	8.25	210
D325N ¹	E3	45.12	1146	24.00	610	24.88	632	8.88	226
D325NT ¹	E3	45.12	1146	24.00	610	24.88	632	8.88	226
D325NR	E1	30.63	778	21.38	543	22.25	565	10.13	257
D325NTR	E1	30.63	778	21.38	543	22.25	565	10.13	257
D326N ¹	E3	49.13	1248	24.00	610	24.88	632	8.88	226
D326NT ¹	E3	49.13	1248	24.00	610	24.88	632	8.88	226
D326NR	E1	49.13	1248	24.75	629	25.13	638	8.88	226
D326NTR	E1	49.13	1248	24.75	629	25.13	638	8.88	226
DU221RB ¹	E2	9.63	245	7.25	184	7.75	197	3.75	95
DU222RB ¹	E1	9.63	245	7.25	184	7.75	197	3.75	95
DU321 ¹	E2	9.25	235	6.75	171	7.25	184	3.63	92
DU321RB ¹	E2	9.63	245	7.25	184	7.75	197	3.75	95
DU322 ¹	E1	9.25	235	6.75	171	7.25	184	3.63	92
DU322RB ¹	E1	9.63	245	7.25	184	7.75	197	3.75	95
DU323	F1	17.50	445	8.50	216	10.50	267	6.50	165
DU323RB	F1	17.50	445	8.50	216	10.50	267	6.50	165
DU324	F1	29.00	737	17.25	438	19.00	483	8.25	210
DU324RB	F1	29.25	743	17.25	438	19.00	483	8.25	210
DU325 ¹	E3	45.12	1146	24.00	610	24.88	632	8.88	226
DU326 ¹	E3	49.13	1248	24.00	610	24.88	632	8.88	226
QO200TR ¹	G3	6.50	165	4.63	118	—	—	3.88	99

¹ Does not have a cover draw as indicated in above drawing.

Enclosed Safety Switches General Duty Safety Switches



Typical Type 1



Typical Type 3R

Table 14: Switch Dimensions

Catalog Number	Series	H		W		W/H		D	
		in.	mm	in.	mm	in.	mm	in.	mm
QO260NATS ¹	E2	9.25	235	4.88	124	—	—	3.25	83
QO2000NRB ¹	E1	14.00	356	7.75	197	—	—	4.50	114
QO2000NS ¹	E1	13.38	340	6.13	156	—	—	3.50	89
T327N ¹	E1	49.13	1248	24.00	610	24.88	632	8.88	226
T327NR ¹	E1	49.13	1248	24.75	629	25.13	638	8.88	226

¹ Does not have a cover draw as indicated in above drawing.

HEAVY DUTY SAFETY SWITCHES CONTENTS

Product Description	15
Applications	17
Standards	17
Configuration	18
Construction.....	18
Enclosures.....	20
Special Applications	21
316 Grade Stainless Steel	21
Fiberglass Reinforced Polyester Enclosures	22
Krydon™ Enclosures Type 4X	23
NEMA 7/9	24
Receptacle Switches.....	25
Appleton Powertite™ Receptacle	25
Crouse-Hinds Arktite™ Receptacle.....	26
Hubbelock™ Receptacle.....	27
Accessories	28
Rainproof Bolt-On Hubs.....	28
Watertight Hubs	28
Solid Neutral Assemblies	29
Equipment Grounding Kits	30
Cover Viewing Window	31
Electrical Interlock Kits.....	31
Class R Fuse Kits	32
Fuse Puller Kits.....	33
Copper Lug Kits.....	33
Double Lug Kits.....	34
Compression Lug Kits.....	34
Key Interlock System	35
Lock-OFF Guard Kits.....	37
Lock-ON Provisions.....	38
Internal Barrier Kits	38
Special Paint.....	39
Voltage-Indicating Safety Switches.....	39
Phenolic Legend Plate.....	40
Switch Lubricant.....	40
General Information.....	40
Fusible Safety Switches.....	40
Non-Fusible Safety Switches.....	41
Terminal Lug Data.....	42
Accessories for Current Series Heavy Duty Safety Switches.....	43
Horsepower Rating.....	48
Horsepower Rating Specialty Switches.....	55
Horsepower Rating Receptacle Switches.....	56
Dimensions.....	57

Heavy Duty Switch Catalog Number Description

Table 15: Heavy Duty Switch Catalog Number Description

Number Segment	Character	Description	H	3	2	1	N	RB	—
Type of Switch	Fusible	H = Heavy duty							
	Non-Fusible	HU = Heavy duty							
Blades – Switched Poles	2	Two-poles							
	3	Three-poles							
	4	Four-poles							
	6	Six-poles							
Voltage Rating	2	240 V ac / 250 V dc Maximum							
	6	600 V ac / 600 V dc Maximum							
Ampere Rating	1	30 A							
	2	60 A							
	3	100 A							
	4	200 A							
	5	400 A							
	6	600 A							
	7	800 A							
	8	1200 A							
Neutral	N	Factory-installed neutral (neutrals are field-installable on most heavy duty safety switches).							
Enclosure	No suffix	Type 1							
	A	Type 12K							
	AWK	Type 12 (without Knock Outs.)							
	DF	Type 4X Fiberglass Reinforced Polyester							
	DS	Type 4, 4X, and 5 (Type 304 stainless steel)							
	DX	Type 4X Krydon™ Fiberglass Reinforced Polyester							
	R	Type 3R							
	RB	Type 3R (with bolt-on hub provision)							
	SS	Type 4, 4X, and 5 (Type 316 stainless steel)							
		See Table 21 on page 24	Type 7 / 9 (Cast aluminum)						
Factory Modifications	CLR	Class R fuse kit (Rejects all but Class R fuses)							
	EI or EI2	Electrical interlock kit (EI = 1 NO / 1 NC contacts. EI2 = 2 NO / 2 NC contacts)							
	GL	Equipment ground lugs ¹							
	LI, SI, or LI2	Voltage indicators ²							
	KI, KI2 or KIKI	Key interlocks ³							
	LK	Compression lugs (Heavy Duty 800 A and 1200 A only)							
	LOG ⁴	Lock-Off Guard							
	NP	Phenolic legend plate. Customer must provide legend text.							
	PB(xx)	Push buttons, pilot lights, selector switches. Customer must provide catalog number of control device to be installed (Contact Schneider Electric for complete catalog number).							
	SLC	Copper lugs (30–600 A)							
	SP(xx)	Special paint colors (For suffix xx see Table 40 on page 40)							
	SPLO	Lock-on provision							
	VW	Viewing window							
	WA	Appleton™ interlocked receptacle							
	WC	Crouse-Hinds Arktite™ interlocked receptacle							
WH	Hubbellock™ interlocked receptacle								

¹ Equipment Ground Kits (Al/Cu) are factory installed standard in 30–200 A Series F Type 4/4X/5 (stainless steel), 12 and 12K. Equipment Ground Kits are standard on all receptacle switches and Series F 30–200 A, four- and six-pole switches.

² LI = Load side indicator. SI = Line side indicator. LI2 = Line and load side indicators.

³ KI = 1 lock. KI2 = 1 lock with 2 cylinders. KIKI = 2 locks.

⁴ Not available for Type 4X fiberglass, Type 4/4X/5 stainless steel and Type 7/9 enclosures.

Enclosed Safety Switches Heavy Duty Safety Switches



Series F

Heavy Duty Safety Switches

Product Description

The Square D™ by Schneider Electric brand Heavy Duty Safety Switch is designed to be tough, reliable and provide exceptional performance in the most grueling conditions; from commercial and institutional to industrial and manufacturing facilities. F Series safety switches provide significantly higher levels of mechanical endurance than NEMA KS-1 or UL98 standards require. The design life of a F-Series switch is a minimum of three times the NEMA requirement.

An abundance of copper is used in the heaviest current carrying power paths of all Square D by Schneider Electric Heavy Duty Safety Switches. The more copper for current carrying paths, the lower the temperature rise. Managing temperatures inside the switch is the key to providing greater service life.

All heavy duty safety switches feature a quick-make, quick-break operating mechanism, a dual cover interlock and a color-coded indicator handle.

Applications

Heavy duty safety switches are designed for the following applications:

- Commercial and industrial installations
- Up to 600 V ac or 600 V dc maximum
- Up to 200,000 rms symmetrical amperes short circuit current
- 30–1200 A
- Horsepower ratings
- Load-make, load-break rated for the switch current rating
- Seismically Qualified to the:
 - 2010 ASCE 7
 - 2012 International Building Code (IBC)
 - 2013 California Building Code (CBC)
 - State of California's Office of Statewide Health Planning and Development (OSHPD) requirements for seismic certification

Enclosed Safety Switches Heavy Duty Safety Switches

Standards

Heavy duty safety switches are manufactured in accordance with these standards:

- UL98, Standard for enclosed and dead front switches. UL Listed;
 - 30–200 A, see file E2875
 - 400–1200 A, see file E154828
- NEMA Standards Publication KS1 and KS2 enclosed switches
- Federal Specifications WS-865C for Type HD



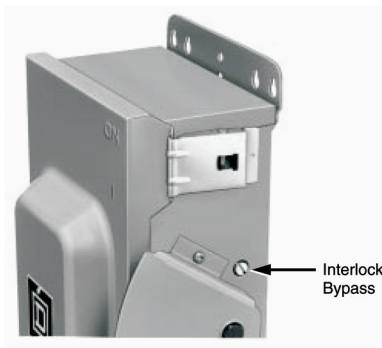
Visible Blades



Operating Mechanism
Series F



Mechanical Lugs



Configuration

- Two or three fusible switched poles with or without insulated, groundable solid neutral
- Four or six fusible switched poles without insulated, groundable solid neutral
- Two, three, four or six non-fusible, switched poles without insulated, groundable solid neutral
- Three fusible switched poles without insulated groundable solid neutral interlocked to Appleton™, Crouse-Hinds™, or Hubbellock™ receptacle
- Three non-fusible switched poles without insulated, groundable solid neutral interlocked to Appleton, Crouse-Hinds, or Hubbellock receptacle

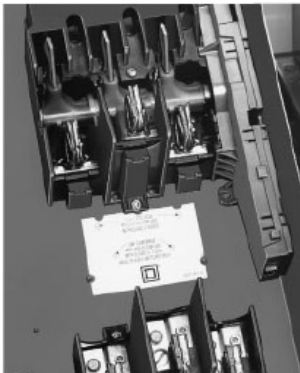
Construction

- Visible blades for positive blade position indication
- Optional viewing window allows visual verification of blade position without opening door; not available on Type 4X fiberglass reinforced polyester enclosures or Type 7/9 enclosures
- Red and black handle indicates the ON (red) or OFF (black) switch position - except Type 7/9 enclosures
- Series F handle, mechanism and lock plate are field replaceable
- Side-opening, left hinged covers
- Highly visible embossed ON-OFF marking / ON-OFF labels are used on Type 4X fiberglass reinforced polyester enclosures
- Quick-make, quick-break, operating mechanism
- Standard with plated aluminum lugs which accept both Cu and Al wires
- Front removable mechanical lugs
- Dual cover interlock prevents the cover from being opened when the switch is ON and prevents the switch from being turned ON when the cover is open
- An interlock bypass is provided for access by authorized personnel

Enclosed Safety Switches Heavy Duty Safety Switches



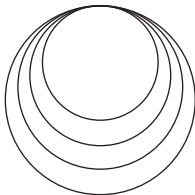
Fuse Pullers



Class J Fuse Provisions
Alternate mounting holes make for easy
conversion to Class J fuses

- Factory installed fuse pullers are standard on 30–100 A Type 4/4X/5 stainless steel, Type 4X fiberglass reinforced polyester and Type 12 or 12K switches; Available as a kit for field installation on 30–100 A F Series switches, Type 1 and 3R switches
- 30–600 A switches are shipped with standard Class H fuse spacing. These switches will accept Class R fuses also; A field-installed rejection kit is available, which when installed, rejects all but Class R fuses; See the TOC for Class R Fuse Kits
- Fuse load base(s) can be repositioned to accept Class J fuses on 30–600 A, 600 V switches and 100–600 A, 240 V switches; 600 A switches also require a mounting kit (catalog number H600J)
- Multiple padlock provision in OFF position (three 3/16-5/16 in. (4-7 mm) shank padlocks)
- Provisions to lock ON with one 3/8 in. (9 mm) padlock available factory installed, except for Type 7/9 and Type 4X fiberglass reinforced polyester switches
- Tangential knockouts, where provided, lessen the need for conduit offset bends
- Lock-OFF provision is standard on all heavy duty safety switches

← Wall



Tangential Knockouts

Enclosed Safety Switches Heavy Duty Safety Switches



Type 1



Type 3R



Type 4/4X/5 Stainless Steel



Type 12



Type 4X Fiberglass Reinforced Polyester



Type 7/9

Enclosures

- Type 1 general purpose, indoor (ANSI-49 grey paint on cold rolled steel)
 - Knockouts standard on 30–200 A enclosures; top, bottom and sidewalls
- Type 3R rainproof, outdoor (ANSI-49 grey paint on galvanized steel)
 - Knockouts standard on 30–200 A enclosures; bottom and sidewalls
- Type 4/4X/5 indoor or outdoor, watertight, dust-tight, and corrosion-resistant (Type 304 or Type 316 stainless steel)
- Type 4X indoor or outdoor, watertight and dust-tight, and corrosion-resistant (fiberglass reinforced polyester)
- Type 7/9 hazardous locations as defined in NEC® Article 500 (copper free cast aluminum):
 - Class I, Divisions 1 and 2, Groups C and D
 - Class II, Divisions 1 and 2, Groups E, F and G
 - Class III, Divisions 1 and 2
- Type 12 and 12K indoor, dust-tight, and drip-tight (ANSI-49 grey paint on galvanized steel)
 - Type 12 has no knockouts (also suitable for Type 3R outdoor use)
 - Type 12K provided with knockouts 30–200 A enclosures; top, bottom and sidewalls

Special Application Enclosures

316 Grade Stainless Steel



H361SS

Type 316 stainless steel enclosure switches offer superior corrosion resistance to a wider range of chemicals than Type 304 stainless steel switches. Type 316 offers better resistance to chloride and is often used in marine, waste treatment and transportation applications.

- UL Listed
- Suitable for service entrance equipment
- Requires water tight hubs (see Table 28 on page 28 for water tight hub catalog numbers)
- Standard with equipment grounding lugs (see Table 30 on page 30 for terminal data)

Table 16: 316 Grade Stainless Steel Three-Pole 600 V ac, 600 V dc

Amperes	Cat. No.	Horsepower Ratings - 3Ø				
		480 V ac ¹		600 V ac ¹		600 V dc ²
		Std.	Max.	Std.	Max.	Max.
Fusible—3P, 600 V ac, 600 V dc						
30	H361SS	5	15	7-1/2	20	15
60	H362SS	15	30	15	50	30
100	H363SS	25	60	30	75	50
200	H364SS	50	125	60	150	50
400	H365SS	100	250	125	350	50
600	H366SS	150	400	200	500	50
Non-Fusible—3P, 600 V ac, 600 V dc						
30	HU361SS	—	20	—	30	15
60	HU362SS	—	50	—	60	30
100	HU363SS	—	75	—	100	50
200	HU364SS	—	125	—	150	50
400	HU365SS	—	250	—	350	50
600	HU366SS	—	400	—	500	50

¹ Std.—Using fast acting one time fuses. Max.—Using dual element time delay fuses.

² For switching dc, use two outside switching poles.

Enclosed Safety Switches Heavy Duty Safety Switches



H363DF

Fiberglass Reinforced Polyester Enclosures - Type 4X

Fiberglass reinforced polyester enclosures are watertight, corrosion resistant, and impervious to windblown dust, rain, and splashing liquid. The molded fiberglass is extremely stable in a wide range of operating temperatures and can withstand heavy impact.

- UL Listed and CSA Certified
- Suitable for service entrance equipment (USA only)
- Standard with water tight hubs provided
- Standard with equipment grounding lugs installed (see Table 30 on page 30 for terminal data)

Table 17: Fiberglass Reinforced Polyester Enclosures Type 4X Three-Pole 600 V ac, 600 V dc

Amperes	Cat. No.	Solid Neutral Assembly Kit	Class R Fuse Kits	Electrical Interlock Kits Field Installed Cat. No.		Horsepower Ratings - 3Ø					Hubs ¹	
				1NO/1NC Contacts	2NO/2NC Contacts	480 V ac ²		600 V ac ²		600 V dc ³	in.	mm
			Cat. No.			Std.	Max.	Std.	Max.	Max.		
Fusible—3P, 600 V ac 600 V dc												
30	H361DF	SN03	RFK06	9999TC10	9999TC20	5	15	7-1/2	20	15	3/4	19
60	H362DF	SN03	RFK06H	9999TC10	9999TC20	15	30	15	50	30	1-1/4	31
100	H363DF	SN0610	RFK10	9999TC10	9999TC20	25	60	30	75	50	2	50
200	H364DF	—	HRK1020	9999R8	9999R9	50	125	60	150	50	2-1/2	63
Non-Fusible—3P, 600 V ac 600 V dc												
30	HU361DF	SN03	—	9999TC10	9999TC20	—	20	—	30	15	3/4	19
60	HU362DF	SN03	—	9999TC10	9999TC20	—	50	—	60	30	1-1/4	31
100	HU363DF	SN0610	—	9999TC10	9999TC20	—	75	—	75	50	2	50
200	HU364DF	—	—	9999R8	9999R9	—	125	—	150	50	2-1/2	63

¹ Two hubs and hub drilling template are provided for field installation.

² Std.—Using fast acting one time fuses. Max.—Using dual element time delay fuses.

³ For switching dc, use two outside switching poles.

Table 18: Fiberglass Reinforced Polyester 600 V ac Short Circuit Current Rating

Catalog Number	10 kAIR Fuses	100 kAIR Fuses	200 kAIR Fuses	14 kAIR Circuit Breaker	18 kAIR Circuit Breaker	25 kAIR Circuit Breaker
H361DF	H, K	—	J, R	—	—	—
H362DF	H, K	—	J, R	—	—	—
H363DF	H, K	—	J, R	—	—	—
H364DF	H, K	—	J, R	—	—	—
HU361DF	H, K	J, R, T ¹	J, R, T	FA	FH	—
HU362DF	H, K	J, R, T ²	J, R, T	FA	FH	—
HU363DF	H, K	J, R, T ³	J, R, T	FA	FH	—
HU364DF	H, K	J, R, T ⁴	J, R, T	—	—	LH

¹ SCCR 100 kAIR when protected by R, J or T fuses rated 60 A maximum.

² SCCR 100 kAIR when protected by R, J or T fuses rated 100 A maximum.

³ SCCR 100 kAIR when protected by R, J or T fuses rated 200 A maximum.

⁴ SCCR 100 kAIR when protected by R, J or T fuses rated 400 A maximum.

Enclosed Safety Switches Heavy Duty Safety Switches

Krydon™ Enclosures - Type 4X



H361DX

Krydon enclosures are compression molded of fiberglass reinforced polyester, specially formulated to withstand attack from almost any corrosive atmosphere found in the toughest industrial application.

- UL Listed
- Suitable for use as service equipment
- Standard with water tight hubs provided
- Standard with equipment grounding lugs installed (see Table 30 on page 30 for terminal data)

Table 19: Krydon Enclosures - Type 4X Three-Pole 600 V ac, 600 V dc

Amperes	Cat. No.	Solid Neutral Assembly Kit	Class R Fuse Kits	Electrical Interlock Kits Field Installed Cat. No.		Horsepower Ratings - 3Ø					Hubs ¹	
				1NO/1NC Contacts	2NO/2NC Contacts	480 V ac ²		600 V ac ²		600 V dc ₃		
			Cat. No.	Std.	Max.	Std.	Max.	Max.	in.	mm		
Fusible—3P, 600 V ac 600 V dc												
30	H361DX	H60SN	RFK06	9999TC10	9999TC20	5	15	7-1/2	20	15	3/4	19
60	H362DX	H60SN	RFK06H	9999TC10	9999TC20	15	30	15	50	30	1-1/4	31
100	H363DX	SN0610	RFK10	9999TC10	9999TC20	25	60	30	75	50	2	50
Non-Fusible—3P, 600 V ac 600 V dc												
30	HU361DX	H60SN	—	9999TC10	9999TC20	—	20	—	30	15	3/4	19
60	HU362DX	H60SN	—	9999TC10	9999TC20	—	50	—	60	30	1-1/4	31
100	HU363DX	SN0610	—	9999TC10	9999TC20	—	75	—	75	50	2	50

- ¹ Two hubs and hub drilling template are provided for field installation.
- ² Std.—Using fast acting one time fuses. Max.—Using dual element time delay fuses.
- ³ For switching dc, use two outside switching poles.

Table 20: Krydon 600 V ac Short Circuit Current Rating

Catalog Number	10 kAIR Fuses	100 kAIR Fuses	200 kAIR Fuses	14 kAIR Circuit Breaker	18 kAIR Circuit Breaker
H361DX	H, K	—	J, R	—	—
H362DX	H, K	—	J, R	—	—
H363DX	H, K	—	J, R	—	—
HU361DX	H, K	J, R, T ¹	J, R, T	FA	FH
HU362DX	H, K	J, R, T ²	J, R, T	FA	FH
HU363DX	H, K	J, R, T ³	J, R, T	FA	FH

- ¹ SCCR 100 kAIR when protected by R, J or T fuses rated 60 A maximum.
- ² SCCR 100 kAIR when protected by R, J or T fuses rated 100 A maximum.
- ³ SCCR 100 kAIR when protected by R, J or T fuses rated 200 A maximum.

Enclosed Safety Switches Heavy Duty Safety Switches



H60XFA

NEMA 7/9

An enclosed automatic molded case switch for use in Divisions 1 and 2 of the following: Class I, Group C and D; Class II, Groups E, F and G; or Class III, Hazardous Locations as defined in the NEC Article 500.

- cULus Listed
- Suitable for use as service equipment
- “Raintight” for outdoor applications
- Standard with threaded conduit opening in both top and bottom endwall
- Standard with equipment grounding lugs installed (see Table 30 on page 30 for terminal data)

Table 21: NEMA 7/9, Three-Pole Molded Case Switch, 600 V ac, 250 V dc ¹, Short Circuit Current Rating 10 kA AIR

Amperes	Enclosed Molded Case Switch ²	Solid Neutral Assembly	Horsepower Ratings - 3Ø			Size of Threaded Conduit Openings Provided ³	
			240 V ac	480 V ac	600 V ac	in.	mm
	Cat. No.	Cat. No.					
60	H60XFA	100SNA	15	30	50	3/4	19
60	H60XFA1212 ⁴	100SNA	15	30	50	3/4	19
100	H100XFA	100SNA	30	60	75	1-1/4	31
100	H100XFA1212 ⁴	100SNA	30	60	75	1-1/4	31
225	H225XJG ⁵	225SNA	60	125	150	2-1/2	63
225	H225XJGAA ^{4 5}	225SNA	60	125	150	2-1/2	63

¹ For switching dc, use two outside switching poles. Not for use on dc motor applications.

² Includes PKDB1, breather and drain kit, required for rainproof application.

³ Threaded conduit opening provided in top and bottom endwall.

⁴ Includes 1NO/1NC auxiliary contacts.

⁵ Not cULus listed due to wire bending space.



H362AWA Interlocked Receptacle Switch with Appleton Powertite Receptacle

Receptacle Switches

Interlocked receptacle switches are furnished with a factory-installed three-phase four-wire Appleton Powertite™, Crouse-Hinds Style 2 Arkite™, or Hubbellock™ receptacle. The fourth wire is connected to the switch equipment grounding terminal and is not a solid neutral termination. Interlocking linkage between the receptacle and switch mechanism prevents insertion or removal of the plug while the switch is in the “ON” position, or insertion of any plug other than specified. The interlocking mechanism also prevents the switch from being turned “ON” if a plug has not been fully inserted into the receptacle.

Appleton Powertite™ Receptacle

- UL Listed and CSA Certified
- Available in 30–100 A, 600 V ac / 250 V dc, fused or non-fused, Type 1, Type 4/4X/5 stainless steel and Type 12/3R
- Suitable for use as service equipment (USA only)
- Receptacles are epoxy powder coated over copper-free cast aluminum

Table 22: Appleton Powertite Receptacle Safety Switch Horsepower Ratings

Amperes	NEMA 1	NEMA 3, 3R, 4, 4X, 5 and 12 304 Stainless Steel	NEMA 12 and 3R	Use with Plug ¹	Horsepower Ratings - 3Ø								
					Cat. No.	Cat. No.	Cat. No.	480 V ac ²		600 V ac ²		250 V dc ³	
								Std.	Max.	Std.	Max.	Std.	Max.
Fusible—3P, 600 V ac 250 V dc													
30	H361WA	H361DSWA	H361AWA	ACP3034BC	5	15	7-1/2	20	5	—			
60	H362WA	H362DSWA	H362AWA	ACP6034BC	15	30	15	50	10	—			
100	H363WA	H363DSWA	H363AWA	ACP1034CD	25	60	30	75	20	—			
Non-Fusible—3P, 600 V ac 250 V dc													
30	HU361WA	HU361DSWA	HU361AWA	ACP3034BC	—	20	—	30	—	5			
60	HU362WA	HU362DSWA	HU362AWA	ACP6034BC	—	50	—	60	—	10			
100	HU363WA	HU363DSWA	HU363AWA	ACP1034CD	—	75	—	100	—	20			

¹ Receptacle UL listed for use with Appleton™ ACP or CPH plugs; UL Classified for use with Crouse-Hinds APJ Arkite™ plugs. (see Table 23 below).

² Std.—Using fast acting one time fuses. Max.—Using dual element time delay fuses.

³ For switching dc, use two outside switching poles.

Table 23: Appleton Powertite 600 V ac Short Circuit Current Rating

Amperes	10 kAIR Fuses	100 kAIR Fuses	200 kAIR Fuses	14 kAIR Circuit Breaker	18 kAIR Circuit Breaker
Fusible—3P, 600 V ac 250 V dc					
30	H, K	—	J, R	—	—
60	H, K	—	J, R	—	—
100	H, K	—	J, R	—	—
Non-Fusible—3P, 600 V ac 250 V dc					
30	H, K	J, R, T ¹	J, R, T	FA	FH
60	H, K	—	J, R, T	FA	FH
100	H, K	—	J, R, T	FA	FH

¹ SCCR when using 60 A Max fuse.

Enclosed Safety Switches Heavy Duty Safety Switches



H362WC Interlocked Receptacle Switch
with Crouse-Hinds Arktite Receptacle

Crouse-Hinds Arktite™ Receptacle

- UL Listed
- Available in 30–100 A, 600 V ac / 250 V dc, fused or non-fused, Type 1, Type 4/4X/5 stainless steel and Type 12/3R
- Suitable for use as service equipment
- Receptacles are cast aluminum, copper free for Type 1 and Type 12/3R safety switches.
- Receptacles are epoxy powder coated, copper free cast aluminum for Type 4/4X/5 stainless steel safety switches.

Table 24: Crouse-Hinds Arktite Safety Switch Horsepower Ratings

Amperes	NEMA 1	NEMA 4/4X/5 304 Stainless Steel	NEMA 12/3R	Use with Plug	Horsepower Ratings - 3Ø					
	Cat. No.	Cat. No.	Cat. No.	Cat. No.	480 V ac ¹		600 V ac ¹		250 V dc ²	
					Std.	Max.	Std.	Max.	Std.	Max.
Fusible—3P, 600 V ac 250 V dc										
30	H361WC	H361DSWC	H361AWC	APJ3485	5	15	7-1/2	20	5	—
60	H362WC	H362DSWC	H362AWC	APJ6485	15	30	15	50	10	—
100	H363WC	H363DSWC	H363AWC	APJ10487	25	60	30	75	20	—
Non-Fusible—3P, 600 V ac 250 V dc										
30	HU361WC	HU361DSWC	HU361AWC	APJ3485	—	20	—	30	—	5
60	HU362WC	HU362DSWC	HU362AWC	APJ6485	—	50	—	60	—	10
100	HU363WC	HU363DSWC	HU363AWC	APJ10487	—	60	—	100	—	20

¹ Std.—Using fast acting one time fuses. Max.—Using dual element time delay fuses.

² For switching dc, use two outside switching poles.

Table 25: Crouse-Hinds 600 V ac Short Circuit Current Rating

Amperes	10 kAIR Fuses	100 kAIR Fuses	200 kAIR Fuses	14 kAIR Circuit Breaker	18 kAIR Circuit Breaker
Fusible—3P, 600 V ac 250 V dc					
30	H, K	—	J, R	—	—
60	H, K	—	J, R	—	—
100	H, K	—	J, R	—	—
Non-Fusible—3P, 600 V ac 250 V dc					
30	H, K	J, R, T ¹	J, R, T	FA	FH
60	H, K	—	J, R, T	FA	FH
100	H, K	—	J, R, T	FA	FH

¹ SCCR when using 60 A Max fuse.

Enclosed Safety Switches Heavy Duty Safety Switches



**H362AWH Interlocked Receptacle Switch
with Hubbellock Receptacle**

Hubbellock™ Receptacle

- UL Listed
- Available in 30–100 A, 600 V ac / 250 V dc, fused or non-fused, Type 1, Type 4/4X/5 stainless steel and Type 12/3R
- Suitable for use as service equipment
- Receptacles are zinc plated steel for Type 1 and 12 safety switches
- Short Circuit Current Rating for fusible switches is 10 kAIR maximum when used with Class H, K, J or R fuses
- Short Circuit Current Rating for non-fusible switches is 10 kAIR maximum when protected by Class H, K, J, R or T fuses

Table 26: Hubbellock Receptacle Safety Switch Horsepower Ratings

Amperes	NEMA 1	NEMA 12	Use with Plug ¹	Horsepower Ratings - 3Ø			
	Cat. No.	Cat. No.	Cat. No.	480 V ac ²		600 V ac ²	
				Std.	Max.	Std.	Max.
Fusible—3P, 600 V ac							
60	H362WH	H362AWH	SD12781	15	30	15	50
Non-Fusible—3P, 600 V ac							
60	HU362WH	HU362AWH	SD12781	—	50	—	60

¹ Hubbell plug is furnished with a Kellems grip for 1-1/2 in. (38 mm) to 1-21/64 in. (33 mm) cable diameter.

² Std.—Using fast acting one time fuses. Max.—Using dual element time delay fuses.

Enclosed Safety Switches Heavy Duty Safety Switches

Accessories

Square D by Schneider Electric brand heavy duty safety switches are UL Listed for use with the following accessories:

Rainproof Bolt-On Hubs



Rainproof Bolt-On Hubs

Order bolt-on hubs separately from Table 27.

- UL Listed for indoor or rainproof applications
- Suitable for use with conduit having ANSI standard taper pipe thread
- Type 3R enclosures with catalog number ending in RB have a bolt-on closing cap factory installed
 - Accepts 3/4 in. (19 mm) through 2-1/2 in. (63 mm) bolt-on hubs
- Switches with R suffix have blank top endwalls
 - Accepts 3 in. (76 mm) through 4 in. (101 mm) bolt-on hubs
 - Conduit entry holes must be cut in the field

Table 27: Rainproof Bolt-On Hubs ¹

Conduit Size	3/4	19	1	25	1 1/4	31	1 1/4	38	2	50	2 1/2	63	3	76	3 1/2	88	4	101	Closing Cap
	in.	mm	in.	mm	in.	mm	in.	mm	in.	mm	in.	mm	in.	mm	in.	mm	in.	mm	
Hub Cat. Number	B075		B100		B125		B150		B200		B250		B300		B350		B400		BCAP

¹ Gaskets are provided on 3 in. (76 mm) and larger hubs.



Watertight Hubs

Watertight Hubs

- UL Listed for dust tight and watertight applications
- Suitable for use with conduit having ANSI standard taper pipe thread
- Watertight hubs are field installed on Type 4/4X/5 stainless steel and Type 12/3R and 12K enclosures
- Watertight hubs are available in zinc or chrome plated finish

Table 28: Watertight Hubs ¹

Conduit Trade Size	1/2	12	3/4	19	1	25	1 1/4	38	1 1/2	38	2	50	2 1/2	63	3	76	3 1/2	88	4	101
	in.	mm	in.	mm	in.	mm	in.	mm	in.	mm	in.	mm	in.	mm	in.	mm	in.	mm	in.	mm
Standard Zinc Hub Cat. Number	H050		H075		H100		H125		H150		H200		H250		H300		H350		H400	
Chrome Plated Hub Cat. Number	H050CP		H075CP		H100CP		H125CP		H150CP		H200CP		—		—		—		—	

¹ Gaskets are provided.

Solid Neutral Assemblies

- Factory or field-installed insulated, groundable solid neutral assemblies.



Field-installed
Insulated, Grounded Neutral

Table 29: Solid Neutral Assembly Kits ^{1 2 3 4}

Amperes	Series ⁵	Neutral Kit Catalog Number	Terminal Data AWG/kcmil	Optional Copper Only Catalog Number	Terminal Data AWK/kcmil
30	F5-F6	SN03 ⁶	(2) 14-3 Al/Cu plus (1) 14-3 Al/Cu Svc Ground	SN03C ⁶	(2) 14-6 Cu plus (1) 14-6 Cu Svc Ground
60	F5-F6 (600 V)	SN0610	(2) 14-1/0 Al/Cu plus (2) 14-6 Al/Cu Svc Ground	SN0610C	(2) 14-1/0 Cu plus (2) 14-6 Cu Svc Ground
	F5-F6 (240 V)	SN03	(2) 14-3 Al/Cu plus (1) 14-3 Al/Cu Svc Ground	SN03C	(2) 14-1/0 Cu plus (2) 14-6 Cu Svc Ground
100	F5-F6	SN0610	(2) 14-1/0 Al/Cu plus (2) 14-6 Al/Cu Svc Ground	SN0610C	(2) 14-1/0 Cu plus (2) 14-6 Cu Svc Ground
200 ⁷	F5-F6	SN20A	(2) 6-250 Al/Cu plus (1) 14-10 Al/Cu Svc Ground	SN20C	(2) 6-250 Cu plus (1) 14-1/0 Cu Svc Ground
400 and 600	E4-E5	H600SN	(4) 1-750 Al/Cu plus (1) 4-300 Al/Cu Svc Ground	H600SNC	(2) 1-600 Cu plus and (2) 4-350 Cu plus (2) 6-250 Cu Svc Ground
800	E4	H800SNE4	(6) 3/0-750 Al/Cu plus (2) 6-350 Al/Cu Svc Ground	—	—
1200	E4	H1200SNE4	(8) 3/0-750 Al/Cu plus (2) 6-350 Al/Cu Svc Ground	—	—

¹ For series not shown in chart refer to the switch wiring diagram.

² For Solid Neutral Assembly Kits for Krydon™ enclosures, see Table 19 on page 23.

³ For Solid Neutral Assembly Kits for Fiberglass Reinforced Polyester enclosures, see Table 17 on page 22.

⁴ Neutrals cannot be installed in four- or six-pole switches or receptacle switches.

⁵ See pages 57 through 61 for safety switch series.

⁶ The following 30 A Series F5-F6 switches use SN0610 or SN0610C: H3612, H3612RB, H3612A, H3612AWK, HU3612, HU3612RB, HU3612A and HU3612AWK.

⁷ For 200% neutral, order two SN20A Neutral Kits and one SN20NI Neutral Jumper Kit.

Enclosed Safety Switches Heavy Duty Safety Switches



GTK0610 Field-installed
Equipment Grounding Kit

Equipment Grounding Kits

Equipment grounding kits available for factory or field installation.

- UL Listed
- For factory installation add suffix GL

Table 30: Equipment Grounding Kits and Terminal Data ^{1 2}

Amperes	Series ³	Catalog Number	Terminal Data AWG/kcmil	Optional Copper Only Catalog Number	Terminal Data AWG/kcmil
30	F5-F6	GTK03 ⁴	(2) 14-4 Cu or (2) 12-4 Al or (4) 14-12 Cu or (4) 12-10 Al	GTK03C ^{4 5}	(2) 14-6 Cu
60	F5-F6 (600 V)	GTK0610	(2) 14-1/0 Cu or (2) 12-1/0 Al and (2) 14-6 Cu or (2) 12-6 Al	GTK0610C	(2) 14-1/0 Cu and (2) 14-6 Cu
60	F5-F6 (240V)	GTK03	(2) 14-4 Cu or (2) 12-4 Al or (4) 14-12 Cu or (4) 12-10 Al	GTK03C	(2) 14-6 Cu
100	F5-F6	GTK0610	(2) 14-1/0 Cu or (2) 12-1/0 Al and (2) 14-6 Cu or (2) 12-6 Al	GTK0610C	(2) 14-1/0 Cu and (2) 14-6 Cu
200	F5-F6	PKOGTA2	(2) 10-2/0 Cu or (2) 6-2/0 Al	PKOGTC2	(2) 14-4 Cu
400 and 600	E4-E5	PKOGTA2 ⁶	(2) 10-2/0 Cu or (2) 6-2/0 Al	PKOGTC3	(4) 14-1/0 Cu
800	E4	PKOGTA7	(4) 4-350 Al/Cu	—	—
1200	E4	PKOGTA8	(8) 4-350 Al/Cu	—	—

¹ For series not shown in chart refer to the switch wiring diagram.

² Equipment Ground Kits (Al/Cu) are factory installed standard in 30–200 A Series F Type 4/4X/5 (stainless steel), 12 and 12K. Equipment Ground Kits are standard factory installed on all receptacle switches and all enclosure Series F 30–200 A, four and six pole switches.

³ See pages 57 through 61 for safety switch series.

⁴ H2212AWK accepts GTK03 or GTK03C. H3612A or AWK accepts GTK03C. H3612 and H3612RB accepts GTK0610. HU3612AWK accepts GTK03C. HU3612A accepts GTK0610C. HU3612RB accepts GTK0610 or GTK0610C.

⁵ Optional copper equipment grounding kit for the four- and six-pole 30 A F Series: H461DS, H461AWK, HU461DS, HU661DS and HU661AWK accepts GTK03C. HU461AWK accepts GTK0610C.

⁶ Two required if equipment grounding conductors are run in parallel.

Enclosed Safety Switches Heavy Duty Safety Switches

Cover Viewing Window

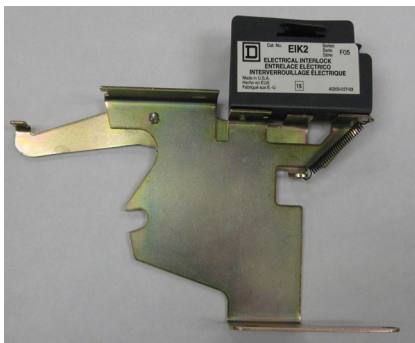


Cover Viewing Window

The optional cover viewing window is positioned over the blades to allow visual verification of the ON-OFF status. Available on 30 through 1200 A heavy duty switches.

- UL Listed
- Factory installed only
- Add VW suffix to the catalog number for factory installation
- Not available on Type 4X fiberglass reinforced polyester, Krydon™ or Type 7/9 enclosure

Electrical Interlock Kits



EIK2 Electrical Interlock Kit

Electrical interlocks for heavy duty safety switches 30 through 1200 A are available factory installed or in kit form for field installation. A pivot arm operates from the switch mechanism, breaking the control circuit before the main switch blades break.

- UL Listed, factory or field installed

Table 31: Electrical Interlock Kit ^{1 2}

Switch Ampere Rating	Series ³	Catalog Number ⁴
30	F5-F6	EIK031
		EIK032
60 (600 V)	F5-F6	EIK1
		EIK2
60 (240 V)	F5-F6	EIK031
		EIK032
100–200	F5-F6	EIK1
		EIK2
30–100 Receptacle Switches	F5-F7	EIK1
		EIK2
30–200 Four and Six Pole Switches	F5-F6	EIK1
		EIK2
400–1200	E4-E5	EIK40601
		EIK40602

¹ For series not shown in table refer to the switch wiring diagram.

² Electrical interlocks for Type 4X fiberglass reinforced polyester and Krydon™, see Table 17 on page 22 and Table 19 on page 23 respectively.

³ See pages 57 through 61 for safety switch series.

⁴ Electrical interlock kit catalog numbers ending with the number 1, indicates one normally open and one normally closed contact. These kits use a 9007AO1 industrial snap switch. Electrical interlock kit catalog numbers ending with the number 2, indicates two normally open and two normally closed contacts. These kits use a 9007CO3 industrial snap switch.

Enclosed Safety Switches Heavy Duty Safety Switches

Table 32: Electrical Interlock Contact Ratings ¹

Interlock Type	ac 50 or 60 Hz				dc		
	Volts	Make	Break	Cont.	Volts	Make and Break	Cont.
1 N.O./ 1 N.C Contact ²	120	40.0 A	15.0 A	15.0 A	115	0.50 A	15.0 A
	240	20.0 A	10.0 A	15.0 A	230	0.25 A	15.0 A
	480	10.0 A	6.0 A	15.0 A	—	—	—
	600	8.0 A	5.0 A	15.0 A	600	0.05 A	15.0 A
2 N.O./ 2 N.C Contact ³	120	30.0 A	3.0 A	10.0 A	115	1.00 A	10.0 A
	240	15.0 A	1.5 A	10.0 A	230	0.30 A	10.0 A
	480	7.5 A	0.75 A	10.0 A	—	—	—
	600	6.0 A	0.60 A	10.0 A	600	0.10 A	10.0 A

¹ Single-pole single-throw interlock kits are rated 1/2 hp at 110 and 220 V ac.

² Catalog numbers ending in 1 use a 9007AO1 limit switch.

³ Catalog numbers ending in 2 use a 9007CO3 limit switch.



Class R Fuse Kits

Class R Fuse Kits

When installed, the Class R Fuse Kit rejects all but Class R fuses.

- UL Listed
- For factory installation, add CLR to the catalog number
- For systems having up to 200,000 rms symmetrical amperes fault current available
- One kit is required for a three-pole switch

Table 33: 240 V ac — Class R Fuse Kits ¹

Amperes	Series ²	Class R Fuse Kit Catalog Number
30	F5-F6	RFK03L
60	F5-F6	RFK03H
100	F5-F6	RFK10
200	F5-F6	HRK1020
400–600	E4-E5	HRK4060

¹ For series not shown in table refer to the switch wiring diagram.

² See pages 57 through 61 for safety switch series.

Table 34: 600 V ac — Class R Fuse Kits ^{1 2}

Amperes	Series ³	Class R Fuse Kit Catalog Number
30 ⁴	F5-F6	RFK03H
30 A Receptacle Switches	F7	RFK06
30 A 4 Pole Switches	F5-F6	RFK06
60	F5-F7	RFK06H
100	F5-F7	RFK10
200	F5-F6	HRK1020
400–600	E4-E5	HRK4060

¹ For series not shown in table refer to the switch wiring diagram.

² Class R Fuse Kits for Fiberglass Reinforced Polyester enclosures and Krydon™ enclosures see Table 17 on page 22 and Table 19 on page 23 respectively.

³ See pages 57 through 61 for safety switch series.

⁴ H361-2, H361-2A, H361-2AWK and H361-2RB use RFK06.

Enclosed Safety Switches Heavy Duty Safety Switches



Fuse Puller Kits

Fuse Puller Kits

- Fuse Puller Kits are standard equipment on the following 30–100 A switches:
 - Type 12 and 12K
 - Type 4/4X/5 stainless steel
 - Type 4X fiberglass reinforced polyester, and Krydon™
- Fuse Puller Kit available for field installation on Type 1 and Type 3R 30–100 A switches
 - One Fuse Puller Kit required for a three-pole fusible 240 V or 600 V heavy duty switch.
 - Fuse Puller Kits can be field installed on switches manufactured since February, 1980

Copper Lug Kits

Copper lug kits available for field or factory installation.

- UL Listed
- Type 12/12K and Type 4/4X/5 stainless steel switches UL Marine Listed
 - Available on 30–200 A safety switches
 - Factory installed copper lug kit bear the manifest for use on vessels over sixty-five feet long
 - Field installed copper lug kit do not bear the manifest for use on vessels over sixty-five feet long
- For field installation, order copper lug kits, see Table 35 below
- For factory installation of copper lugs add suffix SLC to catalog number

Table 35: Copper Lug Kits ¹

Amperes	Copper Lug Kit Catalog Number	Lug Wire Range AWG/kcmil
30–60	CL0306F	(1) 14-8 Cu solid or 14-4 Cu stranded
100	CL10F	(1) 14-8 Cu solid or 14-1/0 Cu stranded
200	CL20F	(1) 6-250 Cu
400	CL40F	(1) 1-600 Cu plus (1) 6-250 Cu
600	CL60F	(2) 4-350 Cu
800	—	—
1200	—	—

¹ One kit includes all phase line/load lugs for a three-pole switch. CL0306F, CL10F and CL20F includes six lugs. CL40F and CL60F includes twelve lugs.

Enclosed Safety Switches Heavy Duty Safety Switches

Double Lug Kits

200 A heavy duty F-series switches are supplied standard with lugs suitable for one wire per phase. For two wires per phase and neutral, order the Double Lug Kit.

Table 36: Double Lug Kits

Amperes	Catalog Number ¹	Lug Wire Range per Phase and Neutral AWG/kcmil	Wire Range Wire Bending Space per NEC Table 312.6 AWG/kcmil
200	AL20DTF	(2) 6-300 Cu/Al	(2) 6-250 Cu/Al

¹ Kit contains 3 lugs. Order two kits for line and load lugs.

Compression Lug Kits: 800 A and 1200 A Safety Switches

- UL Listed
- Compression Lug Kits available for field installation
- Compression Lug Kits available for factory installation; Add suffix LK to standard catalog number
- Compression Lug Kits contain VCEL07512H1 Versa-Crimp™ Compression Lugs
- Order one Compression Lug Kit per switching pole and/or neutral, see Table 37 below

Table 37: Compression Lug Kits

Amperes	Catalog Number	Conductors Per Phase	Lug Wire Range AWG/kcmil
800	H8LKE2	(3) Line and (3) Load	500-750 kcmil (Al) or 500 kcmil (CU)
1200	H12LKE2	(4) Line and (4) Load	500-750 kcmil (Al) or 500 kcmil (CU)

Enclosed Safety Switches Heavy Duty Safety Switches



Key Interlock System

Locking Position— Designations

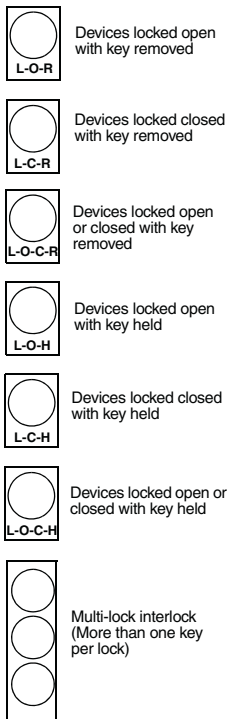
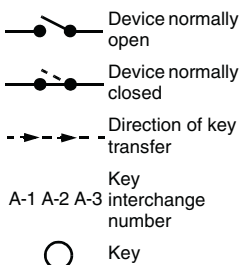


Diagram Symbols

Note:

Device locked open = switch in OFF (O) position
 Device locked closed = switch in ON (I) position



Key Interlock System

Interlocks are used to prevent the operator from making an unauthorized operation. The key interlock system is a simple and easy method to ensure require operation in a predetermined sequence.

- UL Listed
- Factory installed on heavy duty and double throw safety switches
 - Not available on hazardous location devices (Type 7 and 9)
 - Not available on fiberglass reinforced polyester (Type 4X)
- Add suffixes on switch catalog numbers as noted below:
 - KI = 1 lock per switch
 - KI2 = 1 lock with 2 cylinders per switch
 - KIKI = 2 separate locks per switch

Sample Applications

1. To prevent two devices from being closed simultaneously:

Figure 1: Sample Application

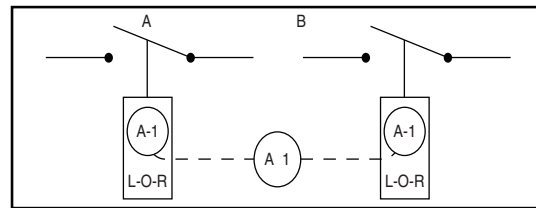


Figure 1 shows two devices that are not to be closed at the same time.

- Using key interlocks shown, only one key is required to operate the system
- Both devices are shown open, therefore, the key is free
- To close any one device insert the key and turn that particular lock
- The key is held in this lock until the device is locked open
- The procedure described above is the same for two devices, neither of which is to be opened simultaneously

Enclosed Safety Switches Heavy Duty Safety Switches

2. To prevent the opening of switch A when circuit breaker B is closed:

Figure 2: Sample Application

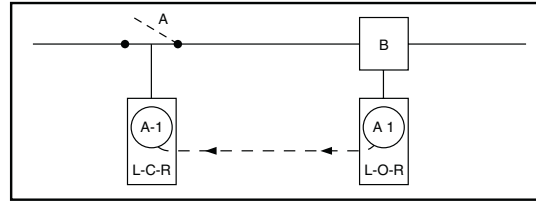
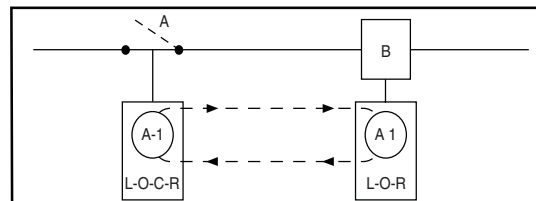


Figure 2 shows switch A and circuit breaker B in the closed position.

- Key A-1 is held in circuit breaker B interlock
- Open the circuit breaker
- Turn key A-1 in the L-O-R interlock on circuit breaker B to lock open. Key A-1 is now free
- Insert key A-1 in the L-C-R interlock on switch A and turn to unlock
- Open switch A. Key A-1 is now held. Reverse the sequence to restore service

3. To prevent operation of switch A when circuit breaker B is closed. Permits re-closing of the circuit breaker for servicing when switch is locked open:

Figure 3: Sample Application



Switch A and circuit breaker B are in the closed position.

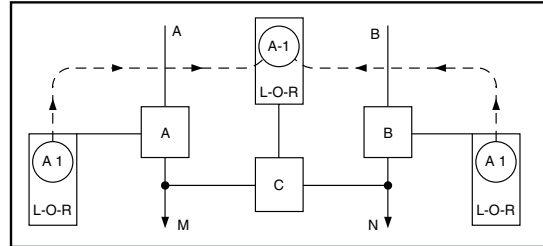
- Key A-1 is held in the circuit breaker interlock
- Open the circuit breaker
- Turn key A-1 in the L-O-R interlock on circuit breaker B to lock open. Key A-1 is now free
- Insert key A-1 in the L-O-C-R interlock on switch A and turn to unlock
- Open switch A. Key A-1 is now held
- Turn key A-1 in the L-O-C-R interlock on switch A to lock open. Key A-1 is now free
- Return key A-1 to circuit breaker interlock and unlock for operating during servicing period

Enclosed Safety Switches Heavy Duty Safety Switches

Reverse the sequence to restore service.

4. To prevent paralleling of lines A and B; two loads, fed from either source (Main-Tie-Main):

Figure 4: Sample Application



Circuit breaker A is closed to supply load M. Circuit breaker B is closed to supply load N. Tie-circuit breaker C is open. Keys A-1 and held in interlocks on both circuit breakers A and B. Tie-circuit breaker C cannot be closed unless either A or B is locked open.

To transfer load N to circuit breaker A, proceed as follows:

- Open circuit breaker B
- Turn key A-1 in L-O-R interlock on circuit breaker B to lock open. Key A-1 is now free
- Insert key A-1 in L-O-R interlock on tie-circuit breaker B and turn to unlock. Key A-1 is now held
- Close tie-circuit breaker C
- Reverse the sequence to restore service
- Load M can be supplied through circuit breaker B in a similar manner

Lock-Off Guard Kits



Optional Lock-Off Guard Kit
Installed

- UL Component Recognized; Marked **cRus**
- Lock-Off Guard Kits are available for field installation, see Table 38 below
- Lock-Off Guard Kits are available factory installed by adding LOG suffix to switch catalog number
- Lock-Off Guard Kits cover the lockout/tagout opening when switch is in the ON position
- Lock-Off Guard Kits are designed to help prevent accidental misapplication of a lockout/tagout device

Table 38: Lock-Off Guard Kits ¹

Switch Rating	Catalog Number
30 A	LOGK1
60 A 240 V	
60 A 600 V	
100 and 200 A	LOGK2

¹ Not available for Type 4X fiberglass, Krydon, Type 4/4X/5 stainless steel and Type 7/9 switches.

Enclosed Safety Switches Heavy Duty Safety Switches

Lock-ON Provisions

- UL Listed
- Lock-ON Provisions allow the switch to be locked in the “ON” position
- Lock-ON Provisions are factory installed only by adding suffix SPLO
- Lock-ON Provisions accept one 3/8 in. (9 mm) hasp padlock
- Lock-ON Provisions are available factory installed on 30–1200 A, Type 1, 3R, 4/4X/5 stainless steel, 12 and 12K switches



Internal Barrier

Internal Barrier Kits

- UL Component Recognized; Marked **cRU^{us}**
- Internal Barrier Kits are field installed only
- Internal Barrier Kits provide IEC529 IP2X “finger safe” protection when door of enclosed disconnect switch is open
- Internal Barrier Kits are transparent; allows visual inspection of the switch
- Internal Barrier Kits’ convenient door allows:
 - Use of test probes without accessing fuses
 - Replacement of fuses without removing barrier
- Internal Barrier Kits helps prevent accidental contact with live parts

Table 39: Internal Barrier Kits

Catalog Number	Description	Safety Switch Application (F Series Only)
SS03	Interior Barrier for 30 A and 240 V, 60 A Safety Switch ¹	240 / 600 V ac, 30 A 240 V ac, 60 A
SS06	Interior Barrier for 600 V, 60 A Safety Switch	600 V ac, 60 A
SS10	Interior Barrier for 240/600 V, 100 A Safety Switch	240 / 600 V ac, 100 A
SS20	Interior Barrier for 240/600 V, 200 A Safety Switch	240 / 600 V ac, 200 A

¹ Requires arc shield on 240 V switches be changed to 600 V arc suppressor. Contact the Customer Care Center 888-778-2733 for the arc suppressor part number.

Enclosed Safety Switches

Heavy Duty Safety Switches

Special Paint

- UL Listed
- Special Paints comply with OSHA Standard 1910.144 and ANSI Specification Z535.1 for marking physical hazards
- Special Paints are powder coated
- Available on Type 1, 3R, 12 and 12K enclosures only
- To order Special Paint add suffixes as noted in Table 40 to the standard switch catalog number
 - Minimum order quantity 10 units
- UL Listed heavy duty switches are available painted with special safety colors

Table 40: Safety Colors ¹

Safety Color	Suffix
Black	SP0
Red	SP2
Orange	SP3
Yellow	SP4
Green	SP5
Blue	SP6
Purple	SP7
Gray	SP8 ²
Gray ANSI 61	SP861
White	SP9

¹ A minimum quantity of ten is required.

² Standard Square D ANSI 49 gray paint, when selecting the suffix SP8, switches will receive an additional coat of paint.

Voltage-Indicating Safety Switches

Voltage-indicating safety switches indicate when voltage is present, helping to prevent arc-flash hazards and electric shocks during maintenance work. Voltage-indicating safety switches can be combined with other safety features such as key interlock, viewing windows and lock on provisions.

- UL Listed
- Factory-installed only
- Order the indicators by adding the appropriate suffix shown in Table 41 to the switch catalog number
- Not available on NEMA 7 and 9 and NEMA 4 X Fiberglass and Krydon Enclosures

Table 41: Voltage Indicators ¹

Suffix ²	Description
SI	Line Side Indicator
LI	Load Side Indicator
LI2	Line and Load Side Indicator

¹ Available on 30-1200 A Heavy Duty Safety Switches and 30-400 A Double Throw Safety Switches. For Type 1 or 3R, 30 A or 60 A fusible switches only, order an equivalent 30 A or 60 A fusible Type 12/3R (Suffix AWK) switch.

² In addition to the suffix in Table 40, a "3" must be added to the switch catalog number for all 30 A and 60 A switches, i.e. H361AWK becomes H3613AWKLI. The 30 A and 60 A switches will be provided in 100 A enclosures.

Enclosed Safety Switches General Information

Phenolic Legend Plate

Available engraved and mounted on all heavy duty safety switches, except NEMA 7 and 9. Legend engraved in 1/4 in. (6 mm) high white letters on black background.

- UL Listed
- Customer to provide legend
- To order, add suffix NP to standard Cat. No.
— Example: H363NP

Switch Lubricant

- Field maintenance lubricant is available for servicing blade and jaw components in switches 600 V and below
- Catalog number SWLUB consists of one tube of BG20 High Performance Synthetic Grease manufactured by Dow Corning®
- SWLUB is available in warehouse stock, shipped individually or in multiples of 12 units per carton

General Information

UL Listed Maximum Short Circuit Current Ratings

Note: Consult the wiring diagram of the switch to verify the UL Listed short circuit current rating.

Fusible Safety Switches

Table 42: Fusible Safety Switches

Heavy Duty Safety Switch Type	UL Listed Fuse Class	UL Listed Short Circuit Current Ratings
Fusible	H, K	10 kA
	R, J, L	200 kA ¹

¹ On 600 V, 200 A switches, 100,000 A max. on corner grounded delta when protected by Class J or R fuses.

Enclosed Safety Switches General Information

Non-Fusible Safety Switches

- **Systems equal or less than 10 kAIR SCCR;** Any brand of circuit breaker or fuse not exceeding the ampere rating of the switch may be used in conjunction with a non-fusible safety switch, see Table 43 below
- **Systems above 10 kAIR SCCR;** The UL Listed short circuit current rating for Square D non-fusible switches is based upon the switch being used in conjunction with fuses or Square D circuit breakers or Mag-Gard motor circuit protectors, see Table 43 below

Table 43: Non-Fusible Safety Switches ^{1 2}

Switch Rating (A)	Fuse Class or Circuit Breaker Type ³	3-Phase			250 V dc / 600 V dc
		240 V ac	480 V ac	600 V ac	
With Upstream Fuse Protection					
All	H, K	10 kA	10 kA	10 kA	Up to 10 kA
	R, T, J, L	200 kA	200 kA	200 kA	
With Upstream Circuit Breaker Protection					
All	Any brand circuit breaker	10 kA	10 kA	10 kA	Up to 10 kA
30–100	HD	25 kA	18 kA	14 kA	
30–100	HG	65 kA	35 kA	18 kA	
30–100	HJ	65 kA	35 kA	25 kA	
30–100	HL	65 kA	35 kA	35 kA	
30–100	HR	65 kA	35 kA	35 kA	
30–100	FA	14 kA	14 kA	14 kA	
30–100	FH	18 kA	18 kA	18 kA	
200	HD, JD	25 kA	18 kA	14 kA	
200	HG, JG	65 kA	35 kA	18 kA	
200	HJ, JJ	65 kA	35 kA	25 kA	
200	HL, JL	65 kA	35 kA	35 kA	
200	HR, JR	65 kA	35 kA	35 kA	
400	LA	22 kA	22 kA	22 kA	
400	LH	25 kA	25 kA	25 kA	
400–600	LD	25 kA	18 kA	14 kA	
400–600	LG	65 kA	35 kA	18 kA	
400–600	LJ	100 kA	65 kA	25 kA	
400–600	LL	100 kA	65 kA	50 kA	
400–600	LR	100 kA	65 kA	65 kA	

¹ For Type 4X Fiberglass Reinforced Polyester switches, see Tables 17 and 18 on page 22.

² Type 7/9 SCCR 10 kAIR 600 V ac maximum.

³ Ampere rating of fuse or circuit breaker not to exceed switch ampere rating.

Enclosed Safety Switches

General Information

Table 44: Terminal Lug Data ¹

Rating (A)	Wires Per Phase and Neutral	Wire Range Wire Bending Space Per NEC Table 312.6 AWG/kcmil	Lug Wire Range AWG/kcmil	Optional ² Versa-Crimp™ Compression Lug Field-Installed	Optional Copper Only Versa-Crimp™ Compression Lug Field-Installed ^{2 3}
30	1	12–6 (Al) or 14–6 (Cu)	12–2 (Al) or 14–2 (Cu)	—	C10–14 ⁴ , D8–14, or E6–14
	2	12–10 (Al) or 14–10 (Cu)			
60 ⁵	1	12–3 (Al) or 14–3 (Cu)	12–2 (Al) or 14–2 (Cu)	—	C10–14 ⁴ , D8–14, or E6–14
100 ⁶	1	12–1/0 (Al) or 14–1/0 (Cu)	12–1/0 (Al) or 14–1/0 (Cu)	VCEL02114S1	VCEL02114S1
200 ⁷	1	6–250 (Al/Cu)	6–300 (Al/Cu)	VCEL030516H1	VCEL030516H1
400 ⁸	1 or 2	1/0–750 (Al/Cu) or 1/0–300 (Al/Cu)	1/0–750 (Al/Cu) and 1/0–300 (Al/Cu)	VCEL07512H1 or VCEL030516H1 ⁹ and VCEL05012H1	VCEL07512H1 or VCEL030516H1 ¹⁰ and VCEL05012H1
	2	3/0–500 (Al/Cu)	3/0–500 (Al/Cu)	VCEL05012H1	VCEL05012H1
800	3	3/0–750 (Al/Cu)	3/0–750 (Al/Cu)	H8LKE2 ¹¹	—
1200	4	3/0–750 (Al/Cu)	3/0–750 (Al/Cu)	H12LKE2 ¹²	—

¹ 30–100 A switches suitable for 60°C (140 °F) or 75°C (167 °F) conductors. 200–1200 A switches suitable for 75°C (167 °F) conductors.

² Hubbell Versa-Crimp™ unless otherwise noted.

³ For Type 1, 12/3R, 12K and 4/4X/5 stainless steel switches only.

⁴ Order C10–14, D8–14 and E6–14 from Thomas and Betts.

⁵ H60XFA and H60XFA1212 — use 75°C (167 °F) copper wire only. #6 AWG copper wire required for 60 A rating.

⁶ H100XFA and H100XFA1212 — use 75°C (167 °F) copper wire only. #3 AWG copper wire required for 100 A rating.

⁷ H225XJG and H225XJGAA — use 75°C (167 °F) copper wire only. Lug wire range is #3 AWG – 350 kcmil. Not UL Listed due to inadequate wire bending space (5 in. (127 mm) on the ON end, 6 in. (152 mm) on the OFF end).

⁸ Maximum wire bending space allows for (1) 600 kcmil or (2) 300 kcmil Al/Cu on Type 4/4X/5 stainless steel and Type 12 switches.

⁹ For Type 1 and 3R only. For Type 4/4X/5 stainless steel and Type 12/3R, 12K use VCEL03038H1 (Al/Cu) or VCEL03038H1 (Cu only). Order two PK516KN mounting kits when installing VCEL030516H1 lugs. Only one kit is required on two-pole switches. PK561KN consists of four 5/16-18 (7 mm) Keps Nuts.

¹⁰ For Type 4/4X/5 stainless steel and Type 12/3R, 12K use VCEL03038H1 (Al/Cu) or VCEL03038H1 (Cu only). Order two PK516KN mounting kits when installing VCEL030516H1 or VCEL030516H1 lugs. Only one kit is required on two-pole switches. PK561KN consists of four 5/16-18 (7 mm) Keps Nuts.

¹¹ For 800 and 1200 A compression lug kits, see Table 37 on page 34 for additional information.

Enclosed Safety Switches General Information

Table 45: Accessories for Current Series Heavy Duty Safety Switches

Catalog Number	Series	Electrical Interlock Kit (1NO/1NC Contacts)	Electrical Interlock Kit (2NO/2NC Contacts)	Class R Kit	Solid Neutral Kit (Al/Cu)	Solid Neutral Kit (Cu Only)	Equipment Grounding Kit (Al/Cu)	Equipment Grounding Kit (Cu Only)	Fuse Puller Kit	Interior Barrier Kit	Lock-Off Guard Kit	Copper Only Lug Kit
H100XFA1212	E1	Std. ¹	—	—	100SNA	—	Std.	—	—	—	—	—
H100XFA	E1	N/A	—	—	100SNA	—	Std.	—	—	—	—	—
H221-2AWK	F6	EIK1	EIK2	RFK03L	SN0610	SN0610C	Std.	GTK03C	Std.	—	—	CL0306F
H221A	F6	EIK031	EIK032	RFK03L	SN03	SN03C	Std.	GTK03C	Std.	SS03	LOGK1	CL0306F
H221AWK	F6	EIK031	EIK032	RFK03L	SN03	SN03C	Std.	GTK03C	Std.	SS03	LOGK1	CL0306F
H221DS	F6	EIK031	EIK032	RFK03L	SN03	SN03C	Std.	GTK03C	Std.	—	—	CL0306F
H221N	F5	EIK031	EIK032	RFK03L	Std.	—	GTK03	—	FPK03	SS03	LOGK1	—
H221NRB	F5	EIK031	EIK032	RFK03L	Std.	—	GTK03	—	FPK03	SS03	LOGK1	—
H222A	F6	EIK031	EIK032	RFK03H	SN03	SN03C	Std.	GTK03C	Std.	SS03	LOGK1	CL0306F
H222AWK	F6	EIK031	EIK032	RFK03H	SN03	SN03C	Std.	GTK03C	Std.	SS03	LOGK1	CL0306F
H222DS	F6	EIK031	EIK032	RFK03H	SN03	SN03C	Std.	GTK03C	Std.	SS03	—	CL0306F
H222N	F5	EIK031	EIK032	RFK03H	Std.	—	GTK03	—	FPK03	SS03	LOGK1	—
H222NRB	F5	EIK031	EIK032	RFK03H	Std.	—	GTK03	—	FPK03	SS03	LOGK1	—
H223A	F6	EIK1	EIK2	RFK10	SN0610	SN0610C	Std.	GTK0610C	Std.	SS10	LOGK2	CL10F
H223AWK	F6	EIK1	EIK2	RFK10	SN0610	SN0610C	Std.	GTK0610C	Std.	SS10	—	CL10F
H223DS	F6	EIK1	EIK2	RFK10	SN0610	SN0610C	Std.	GTK0610C	Std.	SS10	—	CL10F
H223N	F5	EIK1	EIK2	RFK10	Std.	—	GTK0610	—	FPK0610	SS10	LOGK2	—
H223NRB	F5	EIK1	EIK2	RFK10	Std.	—	GTK0610	—	FPK0610	SS10	LOGK2	—
H224A	F6	EIK1	EIK2	HRK1020	SN20A	SN20C	Std.	PKOGTC2	—	SS20	LOGK2	CL20F
H224AWK	F6	EIK1	EIK2	HRK1020	SN20A	SN20C	Std.	PKOGTC2	—	SS20	LOGK2	CL20F
H224DS	F6	EIK1	EIK2	HRK1020	SN20A	SN20C	Std.	PKOGTC2	—	SS20	—	CL20F
H224N	F5	EIK1	EIK2	HRK1020	Std.	—	PKOGTA2	—	—	SS20	LOGK2	—
H224NRB	F5	EIK1	EIK2	HRK1020	Std.	—	PKOGTA2	—	—	SS20	LOGK2	—
H225	E4	EIK40601	EIK40602	HRK4060	H600SN	—	(2) PKOGTA2	—	—	—	—	—
H225AWK	E5	EIK40601	EIK40602	HRK4060	H600SN	H600SNC	(2) PKOGTA2	PKOGTC3	—	—	—	CL40F
H225DS	E5	EIK40601	EIK40602	HRK4060	H600SN	H600SNC	(2) PKOGTA2	PKOGTC3	—	—	—	CL40F
H225N	E4	EIK40601	EIK40602	HRK4060	Std.	—	(2) PKOGTA2	—	—	—	—	—
H225NAWK	E5	EIK40601	EIK40602	HRK4060	Std.	H600SNC	(2) PKOGTA2	PKOGTC3	—	—	—	CL40F
H225NDS	E5	EIK40601	EIK40602	HRK4060	Std.	H600SNC	(2) PKOGTA2	PKOGTC3	—	—	—	CL40F
H225NR	E5	EIK40601	EIK40602	HRK4060	Std.	—	(2) PKOGTA2	—	—	—	—	—
H225R	E5	—	EIK40602	HRK4060	H600SN	N/A	(2) PKOGTA2	—	—	—	—	—
H225XJG	A1	—	—	—	225SNA	N/A	Std.	—	—	—	—	—
H225XJGAA	A1	Std. ¹	—	—	225SNA	N/A	Std.	—	—	—	—	—
H226	E4	EIK40601	EIK40602	HRK4060	H600SN	N/A	(2) PKOGTA2	—	—	—	—	—
H226AWK	E5	EIK40601	EIK40602	HRK4060	H600SN	H600SNC	(2) PKOGTA2	PKOGTC3	—	—	—	CL60F
H226DS	E5	EIK40601	EIK40602	HRK4060	H600SN	H600SNC	(2) PKOGTA2	PKOGTC3	—	—	—	CL60F
H226N	E4	EIK40601	EIK40602	HRK4060	Std.	—	(2) PKOGTA2	—	—	—	—	—
H226NAWK	E5	EIK40601	EIK40602	HRK4060	Std.	H600SNC	(2) PKOGTA2	PKOGTC3	—	—	—	CL60F
H226NDS	E5	EIK40601	EIK40602	HRK4060	Std.	H600SNC	(2) PKOGTA2	PKOGTC3	—	—	—	CL60F
H226NR	E5	EIK40601	EIK40602	HRK4060	Std.	—	(2) PKOGTA2	—	—	—	—	—
H226R	E5	EIK40601	EIK40602	HRK4060	H600SN	—	(2) PKOGTA2	—	—	—	—	—
H227	E4	EIK40601	EIK40602	—	H800SNE4	—	PKOGTA7	—	—	—	—	—
H227AWK	E4	EIK40601	EIK40602	—	H800SNE4	—	PKOGTA7	—	—	—	—	—
H227N	E4	EIK40601	EIK40602	—	Std.	—	PKOGTA7	—	—	—	—	—
H227NAWK	E4	EIK40601	EIK40602	—	Std.	—	PKOGTA7	—	—	—	—	—
H227NR	E4	EIK40601	EIK40602	—	Std.	—	PKOGTA7	—	—	—	—	—
H227R	E4	EIK40601	EIK40602	—	H800SNE4	—	PKOGTA7	—	—	—	—	—
H228	E4	EIK40601	EIK40602	—	H1200SNE4	—	PKOGTA8	—	—	—	—	—
H228AWK	E4	EIK40601	EIK40602	—	H1200SNE4	—	PKOGTA8	—	—	—	—	—
H228N	E4	EIK40601	EIK40602	—	Std.	—	PKOGTA8	—	—	—	—	—
H228NAWK	E4	EIK40601	EIK40602	—	Std.	—	PKOGTA8	—	—	—	—	—
H228NR	E4	EIK40601	EIK40602	—	Std.	—	PKOGTA8	—	—	—	—	—
H228R	E4	EIK40601	EIK40602	—	H1200SNE4	—	PKOGTA8	—	—	—	—	—
H265	E4	EIK40601	EIK40602	HRK4060	H600SN	—	(2) PKOGTA2	—	—	—	—	—
H265AWK	E5	EIK40601	EIK40602	HRK4060	H600SN	H600SNC	(2) PKOGTA2	PKOGTC3	—	—	—	CL40F
H265DS	E5	EIK40601	EIK40602	HRK4060	H600SN	H600SNC	(2) PKOGTA2	PKOGTC3	—	—	—	CL40F
H265R	E5	EIK40601	EIK40602	HRK4060	H600SN	—	(2) PKOGTA2	—	—	—	—	—
H266	E4	EIK40601	EIK40602	HRK4060	H600SN	—	(2) PKOGTA2	—	—	—	—	—
H266AWK	E5	EIK40601	EIK40602	HRK4060	H600SN	H600SNC	(2) PKOGTA2	PKOGTC3	—	—	—	CL60F
H266DS	E5	EIK40601	EIK40602	HRK4060	H600SN	H600SNC	(2) PKOGTA2	PKOGTC3	—	—	—	CL60F
H266R	E5	EIK40601	EIK40602	HRK4060	H600SN	—	(2) PKOGTA2	—	—	—	—	—
H267	E4	EIK40601	EIK40602	—	H800SNE4	—	PKOGTA7	—	—	—	—	—
H267AWK	E4	EIK40601	EIK40602	—	H800SNE4	—	PKOGTA7	—	—	—	—	—
H267R	E4	EIK40601	EIK40602	—	H800SNE4	—	PKOGTA7	—	—	—	—	—
H268	E4	EIK40601	EIK40602	—	H1200SNE4	—	PKOGTA8	—	—	—	—	—
H268AWK	E4	EIK40601	EIK40602	—	H1200SNE4	—	PKOGTA8	—	—	—	—	—
H268R	E4	EIK40601	EIK40602	—	H1200SNE4	—	PKOGTA8	—	—	—	—	—

¹ 1NO/1NC auxiliary contacts provided on the enclosed molded case switch.

² Requires both SS4060LI and SS4060LO for line and load side protection.

³ Requires both SS80120LI and SS80120LO for line and load side protection.

—Continued

Enclosed Safety Switches General Information

Table 45: Accessories for Current Series Heavy Duty Safety Switches

Catalog Number	Series	Electrical Interlock Kit (1NO/1NC Contacts)	Electrical Interlock Kit (2NO/2NC Contacts)	Class R Kit	Solid Neutral Kit (Al/Cu)	Solid Neutral Kit (Cu Only)	Equipment Grounding Kit (Al/Cu)	Equipment Grounding Kit (Cu)	Fuse Puller Kit	Interior Barrier Kit	Lock-Off Guard Kit	Copper Only Lug Kit
H321A	F6	EIK031	EIK032	RFK03L	SN03	SN03C	Std.	GTK03C	Std.	SS03	LOGK1	CL0306F
H321AWK	F6	EIK031	EIK032	RFK03L	SN03	SN03C	Std.	GTK03C	Std.	SS03	LOGK1	CL0306F
H321DS	F6	EIK031	EIK032	RFK03L	SN03	SN03C	Std.	GTK03C	Std.	SS03	—	CL0306F
H321N	F5	EIK031	EIK032	RFK03L	Std.	—	GTK03	—	FPK03	SS03	LOGK1	—
H321NRB	F5	EIK031	EIK032	RFK03L	Std.	—	GTK03	—	FPK03	SS03	LOGK1	—
H322A	F6	EIK031	EIK032	RFK03H	SN03	SN03C	Std.	GTK03C	Std.	SS03	LOGK1	CL0306F
H322AAWK	F6	EIK031	EIK032	RFK03H	SN03	SN03C	Std.	GTK03C	Std.	SS03	LOGK1	CL0306F
H322DS	F6	EIK031	EIK032	RFK03H	SN03	SN03C	Std.	GTK03C	Std.	SS03	—	CL0306F
H322N	F5	EIK031	EIK032	RFK03H	Std.	—	GTK03	—	FPK03	SS03	LOGK1	—
H322NRB	F5	EIK031	EIK032	RFK03H	Std.	—	GTK03	—	FPK03	SS03	LOGK1	—
H323A	F6	EIK1	EIK2	RFK10	SN0610	SN0610C	Std.	GTK0610C	Std.	SS10	LOGK2	CL10F
H323AWK	F6	EIK1	EIK2	RFK10	SN0610	SN0610C	Std.	GTK0610C	Std.	SS10	LOGK2	CL10F
H323DS	F6	EIK1	EIK2	RFK10	SN0610	SN0610C	Std.	GTK0610C	Std.	SS10	—	CL10F
H323N	F5	EIK1	EIK2	RFK10	Std.	—	GTK0610	—	FPK0610	SS10	LOGK2	—
H323NRB	F5	EIK1	EIK2	RFK10	Std.	—	GTK0610	—	FPK0610	SS10	LOGK2	—
H324A	F6	EIK1	EIK2	HRK1020	SN20A	SN20C	Std.	PKOGTC2	—	SS20	LOGK2	CL20F
H324AWK	F6	EIK1	EIK2	HRK1020	SN20A	SN20C	Std.	PKOGTC2	—	SS20	LOGK2	CL20F
H324DS	F6	EIK1	EIK2	HRK1020	SN20A	SN20C	Std.	PKOGTC2	—	SS20	LOGK2	CL20F
H324N	F5	EIK1	EIK2	HRK1020	Std.	—	PKOGTA2	—	—	SS20	LOGK2	—
H324NRB	F5	EIK1	EIK2	HRK1020	Std.	—	PKOGTA2	—	—	SS20	LOGK2	—
H325	E4	EIK40601	EIK40602	HRK4060	H600SN	—	(2) PKOGTA2	—	—	—	—	—
H325AWK	E5	EIK40601	EIK40602	HRK4060	H600SN	H600SNC	(2) PKOGTA2	PKOGTC3	—	—	—	CL40F
H325DS	E5	EIK40601	EIK40602	HRK4060	H600SN	H600SNC	(2) PKOGTA2	PKOGTC3	—	—	—	CL40F
H325N	E4	EIK40601	EIK40602	HRK4060	Std.	—	(2) PKOGTA2	—	—	—	—	—
H325NAWK	E5	EIK40601	EIK40602	HRK4060	Std.	H600SNC	(2) PKOGTA2	PKOGTC3	—	—	—	CL40F
H325NDS	E5	EIK40601	EIK40602	HRK4060	Std.	H600SNC	(2) PKOGTA2	PKOGTC3	—	—	—	CL40F
H325NR	E5	EIK40601	EIK40602	HRK4060	Std.	—	(2) PKOGTA2	—	—	—	—	—
H325R	E5	EIK40601	EIK40602	HRK4060	H600SN	—	(2) PKOGTA2	—	—	—	—	—
H326	E4	EIK40601	EIK40602	HRK4060	H600SN	—	(2) PKOGTA2	—	—	—	—	—
H326AWK	E5	EIK40601	EIK40602	HRK4060	H600SN	H600SNC	(2) PKOGTA2	PKOGTC3	—	—	—	CL60F
H326DS	E5	EIK40601	EIK40602	HRK4060	H600SN	H600SNC	(2) PKOGTA2	PKOGTC3	—	—	—	CL60F
H326N	E4	EIK40601	EIK40602	HRK4060	Std.	—	(2) PKOGTA2	—	—	—	—	—
H326NAWK	E5	EIK40601	EIK40602	HRK4060	Std.	H600SNC	(2) PKOGTA2	PKOGTC3	—	—	—	CL60F
H326NDS	E5	EIK40601	EIK40602	HRK4060	Std.	H600SNC	(2) PKOGTA2	PKOGTC3	—	—	—	CL60F
H326NR	E5	EIK40601	EIK40602	HRK4060	Std.	—	(2) PKOGTA2	—	—	—	—	—
H326R	E5	EIK40601	EIK40602	HRK4060	H600SN	—	(2) PKOGTA2	—	—	—	—	—
H327	E4	EIK40601	EIK40602	—	H800SNE4	—	PKOGTA7	—	—	—	—	—
H327AWK	E4	EIK40601	EIK40602	—	H800SNE4	—	PKOGTA7	—	—	—	—	—
H327N	E4	EIK40601	EIK40602	—	Std.	—	PKOGTA7	—	—	—	—	—
H327NAWK	E4	EIK40601	EIK40602	—	Std.	—	PKOGTA7	—	—	—	—	—
H327NR	E4	EIK40601	EIK40602	—	Std.	—	PKOGTA7	—	—	—	—	—
H327R	E4	EIK40601	EIK40602	—	H800SNE4	—	PKOGTA7	—	—	—	—	—
H328	E4	EIK40601	EIK40602	—	H1200SNE4	—	PKOGTA8	—	—	—	—	—
H328AWK	E4	EIK40601	EIK40602	—	H1200SNE4	—	PKOGTA8	—	—	—	—	—
H328N	E4	EIK40601	EIK40602	—	Std.	—	PKOGTA8	—	—	—	—	—
H328NAWK	E4	EIK40601	EIK40602	—	Std.	—	PKOGTA8	—	—	—	—	—
H328NR	E4	EIK40601	EIK40602	—	Std.	—	PKOGTA8	—	—	—	—	—
H328R	E4	EIK40601	EIK40602	—	H1200SNE4	—	PKOGTA8	—	—	—	—	—
H361	F5	EIK031	EIK032	RFK03H	SN03	—	GTK03	—	FPK03	SS03	LOGK1	—
H361-2	F5	EIK1	EIK2	RFK06	SN0610	—	GTK0610	—	FPK0610	SS03	LOGK2	—
H361-2A	F6	EIK1	EIK2	RFK06	SN0610	SN0610C	Std.	GTK03C	Std.	SS03	LOGK2	CL0306F
H361-2AWK	F6	EIK1	EIK2	RFK06	SN0610	SN0610C	Std.	GTK03C	Std.	SS03	LOGK2	CL0306F
H361A	F6	EIK031	EIK032	RFK03H	SN03	SN03C	Std.	GTK03C	Std.	SS03	LOGK1	CL0306F
H361AWA	F7	EIK1	EIK2	RFK06	—	—	Std.	GTK03C	Std.	—	LOGK2	CL0306F
H361AWC	F7	EIK1	EIK2	RFK06	—	—	Std.	GTK03C	Std.	—	LOGK2	CL0306F
H361AWK	F6	EIK031	EIK032	RFK03H	SN03	SN03C	Std.	GTK03C	Std.	SS03	LOGK1	CL0306F
H361DF	F1	9999TC10	9999TC20	RFK06	—	—	Std.	—	—	—	—	—
H361DS	F6	EIK031	EIK032	RFK03H	SN03	SN03C	Std.	GTK03C	Std.	SS03	—	CL0306F
H361DSWA	F7	EIK1	EIK2	RKF06	—	—	Std.	GTK03C	Std.	—	—	CL0306F
H361DSWC	F7	EIK1	EIK2	RKF06	—	—	Std.	GTK03C	Std.	—	—	CL0306F
H361DX	F1	9999TC10	9999TC20	RFK06	H60SN	—	Std.	—	—	—	—	—
H361N	F5	EIK031	EIK032	RFK03H	Std.	—	GTK03.	—	FPK03	SS03	LOGK1	—
H361NRB	F5	EIK031	EIK032	RFK03H	—	—	GTK03	—	FPK03	SS03	LOGK1	—
H361RB	F5	EIK031	EIK032	RFK03H	SN03	—	GTK03	—	FPK03	SS03	LOGK1	—
H361SS	F6	EIK031	EIK032	RFK03H	SN03	SN03C	Std.	GTK03C.	Std.	SS03	—	CL0306F
H361WA	F6	EIK1	EIK2	RKF06	—	—	Std.	—	FPK0610	—	LOGK2	—
H361WC	F6	EIK1	EIK2	RKF06	—	—	Std.	—	FPK0610	—	LOGK2	—
H362	F5	EIK1	EIK2	RFK06H	SN0610	—	GTK0610	—	FPK0610	SS06	LOGK2	—
H362A	F6	EIK1	EIK2	RFK06H	SN0610	SN0610C	Std.	GTK0610C	Std.	SS06	LOGK2	CL0306F

—Continued

Enclosed Safety Switches General Information

Table 45: Accessories for Current Series Heavy Duty Safety Switches

Catalog Number	Series	Electrical Interlock Kit (1NO/1NC Contacts)	Electrical Interlock Kit (2NO/2NC Contacts)	Class R Kit	Solid Neutral Kit (Al/Cu)	Solid Neutral (Cu Only)	Equipment Grounding Kit (Al/Cu)	Equipment Grounding Kit (Cu)	Fuse Puller Kit	Interior Barrier Kit	Lock-Off Guard Kit	Copper Only Lug Kit
H362AWA	F7	EIK1	EIK2	RFK06H	—	—	Std.	GTK0610C	Std.	—	LOGK2	CL0306F
H362AWC	F7	EIK1	EIK2	RFK06H	—	—	Std.	GTK0610C	Std.	—	LOGK2	CL0306F
H362AWH	F6	EIK1	EIK2	RFK06H	—	—	Std.	GTK0610C	Std.	—	LOGK2	CL0306F
H362AWK	F6	EIK1	EIK2	RFK06H	SN0610	SN0610C	Std.	GTK0610C	Std.	SS06	LOGK2	CL0306F
H362DF	F1	9999TC10	9999TC20	RFK06H	SN03	—	Std.	—	—	—	—	—
H362DS	F6	EIK1	EIK2	RFK06H	SN0610	SN0610C	Std.	GTK0610C	Std.	SS06	—	CL0306F
H362DSWA	F7	EIK1	EIK2	RFK06H	—	—	Std.	GTK0610C	Std.	—	—	CL0306F
H362DSWC	F7	EIK1	EIK2	RFK06H	—	—	Std.	GTK0610C	Std.	—	—	CL0306F
H362DX	F1	9999TC10	9999TC20	RFK06H	H60SN	—	Std.	—	—	—	—	—
H362N	F5	EIK1	EIK2	RFK06H	Std.	—	GTK0610	—	FPK0610	SS06	LOGK2	—
H362NRB	F5	EIK1	EIK2	RFK06H	Std.	—	GTK0610	—	FPK0610	SS06	LOGK2	—
H362RB	F5	EIK1	EIK2	RFK06H	SN0610	—	GTK0610	—	FPK0610	SS06	LOGK2	—
H362SS	F6	EIK1	EIK2	RFK06H	SN0610	SN0610C	Std.	GTK0610C	Std.	SS06	—	CL0306F
H362WA	F6	EIK1	EIK2	RFK06H	—	—	Std.	—	FPK0610	—	LOGK2	—
H362WC	F6	EIK1	EIK2	RFK06H	—	—	Std.	—	FPK0610	—	LOGK2	—
H362WH	F5	EIK1	EIK2	RFK06H	—	—	Std.	—	FPK0610	—	LOGK2	—
H363	F5	EIK1	EIK2	RFK10	SN0610	—	GTK0610	—	FPK0610	SS10	LOGK2	—
H363A	F6	EIK1	EIK2	RFK10	SN0610	SN0610C	Std.	GTK0610C	FPK0610	SS10	LOGK2	CL10F
H363AWA	F7	EIK1	EIK2	RFK10	—	—	Std.	GTK0610C	Std.	—	LOGK2	CL10F
H363AWC	F7	EIK1	EIK2	RFK10	—	—	Std.	GTK0610C	Std.	—	LOGK2	CL10F
H363AWK	F6	EIK1	EIK2	RFK10	SN0610	SN0610C	Std.	GTK0610C	Std.	SS10	LOGK2	CL10F
H363DF	F1	9999TC10	9999TC20	RFK10	SN0610	—	Std.	—	—	—	—	—
H363DS	F6	EIK1	EIK2	RFK10	SN0610	SN0610C	Std.	GTK0610C	Std.	SS10	—	CL10F
H363DSWA	F7	EIK1	EIK2	RFK10	—	—	Std.	GTK0610C	Std.	—	—	CL10F
H363DSWC	F7	EIK1	EIK2	RFK10	—	—	Std.	GTK0610C	Std.	—	—	CL10F
H363DX	F1	9999TC10	9999TC20	RFK10	SN0610	—	Std.	—	—	—	—	—
H363N	F5	EIK1	EIK2	RFK10	Std.	—	GTK0610	—	FPK0610	SS10	LOGK2	—
H363NRB	F5	EIK1	EIK2	RFK10	Std.	—	GTK0610	—	FPK0610	SS10	LOGK2	—
H363RB	F5	EIK1	EIK2	RFK10	SN0610	—	GTK0610	—	FPK0610	SS10	LOGK2	—
H363SS	F6	EIK1	EIK2	RFK10	SN0610	SN0610C	Std.	GTK0610C	Std.	SS10	—	CL10F
H363WA	F6	EIK1	EIK2	RFK10	—	—	Std.	—	FPK0610	—	LOGK2	—
H363WC	F6	EIK1	EIK2	RFK10	—	—	Std.	—	FPK0610	—	LOGK2	—
H364	F5	EIK1	EIK2	HRK1020	SN20A	—	PKOGTA2	—	—	SS20	LOGK2	—
H364A	F6	EIK1	EIK2	HRK1020	SN20A	SN20C	Std.	PKOGTC2	—	SS20	LOGK2	CL20F
H364AWK	F6	EIK1	EIK2	HRK1020	SN20A	SN20C	Std.	PKOGTC2	—	SS20	LOGK2	CL20F
H364DF	E1	9999R8	9999R9	HRK1020	—	—	Std.	—	—	—	—	—
H364DS	F6	EIK1	EIK2	HRK1020	SN20A	SN20C	Std.	PKOGTC2	—	SS20	—	CL20F
H364N	F5	EIK1	EIK2	HRK1020	Std.	—	PKOGTA2	—	—	SS20	LOGK2	—
H364NA	F6	EIK1	EIK2	HRK1020	Std.	SN20C	Std.	PKOGTC2	—	SS20	LOGK2	CL20F
H364NAWK	F6	EIK1	EIK2	HRK1020	Std.	SN20C	Std.	PKOGTC2	—	SS20	LOGK2	CL20F
H364NDS	F6	EIK1	EIK2	HRK1020	Std.	SN20C	Std.	PKOGTC2	—	SS20	—	CL20F
H364NRB	F5	EIK1	EIK2	HRK1020	Std.	—	PKOGTA2	—	—	SS20	LOGK2	—
H364RB	F5	EIK1	EIK2	HRK1020	SN20A	—	PKOGTA2	—	—	SS20	LOGK2	—
H364SS	F6	EIK1	EIK2	HRK1020	SN20A	SN20C	Std.	PKOGTC2	—	SS20	—	CL20F
H365	E4	EIK40601	EIK40602	HRK4060	H600SN	—	(2) PKOGTA2	—	—	—	—	—
H365AWK	E5	EIK40601	EIK40602	HRK4060	H600SN	H600SNC	(2) PKOGTA2	PKOGTC3	—	—	—	CL40F
H365DS	E5	EIK40601	EIK40602	HRK4060	H600SN	H600SNC	(2) PKOGTA2	PKOGTC3	—	—	—	CL40F
H365N	E4	EIK40601	EIK40602	HRK4060	Std.	—	(2) PKOGTA2	—	—	—	—	—
H365NAWK	E5	EIK40601	EIK40602	HRK4060	Std.	H600SNC	(2) PKOGTA2	PKOGTC3	—	—	—	CL40F
H365NDS	E5	EIK40601	EIK40602	HRK4060	Std.	H600SNC	(2) PKOGTA2	PKOGTC3	—	—	—	CL40F
H365NR	E5	EIK40601	EIK40602	HRK4060	Std.	—	(2) PKOGTA2	—	—	—	—	—
H365R	E5	EIK40601	EIK40602	HRK4060	H600SN	—	(2) PKOGTA2	—	—	—	—	—
H365SS	E5	EIK40601	EIK40602	HRK4060	H600SN	H600SNC	(2) PKOGTA2	PKOGTC3	—	—	—	CL40F
H366	E4	EIK40601	EIK40602	HRK4060	H600SN	—	(2) PKOGTA2	—	—	—	—	—
H366AWK	E5	EIK40601	EIK40602	HRK4060	H600SN	H600SNC	(2) PKOGTA2	PKOGTC3	—	—	—	CL60F
H366DS	E5	EIK40601	EIK40602	HRK4060	H600SN	H600SNC	(2) PKOGTA2	PKOGTC3	—	—	—	CL60F
H366N	E4	EIK40601	EIK40602	HRK4060	Std.	—	(2) PKOGTA2	—	—	—	—	—
H366NAWK	E5	EIK40601	EIK40602	HRK4060	Std.	H600SNC	(2) PKOGTA2	PKOGTC3	—	—	—	CL60F
H366NDS	E5	EIK40601	EIK40602	HRK4060	Std.	H600SNC	(2) PKOGTA2	PKOGTC3	—	—	—	CL60F
H366NR	E5	EIK40601	EIK40602	HRK4060	Std.	—	(2) PKOGTA2	—	—	—	—	—
H366R	E5	EIK40601	EIK40602	HRK4060	H600SN	—	(2) PKOGTA2	—	—	—	—	—
H366SS	E5	EIK40601	EIK40602	HRK4060	H600SN	H600SNC	(2) PKOGTA2	PKOGTC3	—	—	—	CL60F
H367	E4	EIK40601	EIK40602	—	H800SNE4	—	PKOGTA7	—	—	—	—	—
H367AWK	E4	EIK40601	EIK40602	—	H800SNE4	—	PKOGTA7	—	—	—	—	—
H367N	E4	EIK40601	EIK40602	—	Std.	—	PKOGTA7	—	—	—	—	—
H367NAWK	E4	EIK40601	EIK40602	—	Std.	—	PKOGTA7	—	—	—	—	—
H367NR	E4	EIK40601	EIK40602	—	Std.	—	PKOGTA7	—	—	—	—	—
H367R	E4	EIK40601	EIK40602	—	H800SNE4	—	PKOGTA7	—	—	—	—	—

² Requires both SS4060LI and SS4060LO for line and load side protection.

³ Requires both SS80120LI and SS80120LO for line and load side protection.

—Continued

Enclosed Safety Switches General Information

Table 45: Accessories for Current Series Heavy Duty Safety Switches

Catalog Number	Series	Electrical Interlock Kit (1NO/1NC Contacts)	Electrical Interlock Kit (2NO/2NC Contacts)	Class R Kit	Solid Neutral Kit (Al/Cu)	Solid Neutral (Cu Only)	Equipment Grounding Kit (Al/Cu)	Equipment Grounding Kit (Cu)	Fuse Puller Kit	Interior Barrier Kit	Lock-Off Guard Kit	Copper Only Lug Kit
H368	E4	EIK40601	EIK40602	—	H1200SNE4	—	PKOGTA8	—	—	—	—	—
H368AWK	E4	EIK40601	EIK40602	—	H1200SNE4	—	PKOGTA8	—	—	—	—	—
H368N	E4	EIK40601	EIK40602	—	Std.	—	PKOGTA8	—	—	—	—	—
H368NAWK	E4	EIK40601	EIK40602	—	Std.	—	PKOGTA8	—	—	—	—	—
H368NR	E4	EIK40601	EIK40602	—	Std.	—	PKOGTA8	—	—	—	—	—
H368R	E4	EIK40601	EIK40602	—	H1200SNE4	—	PKOGTA8	—	—	—	—	—
H461	F5	EIK1	EIK2	RFK06	—	—	—	—	(2) FPK0610	—	LOGK2	—
H461AWK	F6	EIK1	EIK2	RFK06	—	—	Std.	GTK03C	Std.	—	LOGK2	CL0306F
H461DS	F6	EIK1	EIK2	RFK06	—	—	Std.	GTK03C	Std.	—	—	CL0306F
H462	F5	EIK1	EIK2	RFK06H	—	—	Std.	—	(2) FPK0610	—	LOGK1	—
H462AWK	F6	EIK1	EIK2	RFK06H	—	—	Std.	GTK0610C	Std.	—	LOGK2	CL0306F
H462DS	F6	EIK1	EIK2	RFK06H	—	—	Std.	GTK0610C	Std.	—	—	CL0306F
H463	F5	EIK1	EIK2	RFK10	—	—	Std.	—	(2) FPK10	—	LOGK2	—
H463AWK	F6	EIK1	EIK2	RFK10	—	—	Std.	GTK0610C	Std.	—	LOGK2	CL10F
H463DS	F6	EIK1	EIK2	RFK10	—	—	Std.	GTK0610C	Std.	—	—	CL10F
H464	F5	EIK1	EIK2	HRK1020	—	—	Std.	—	—	—	LOGK2	—
H464AWK	F6	EIK1	EIK2	HRK1020	—	—	Std.	—	—	—	LOGK2	—
H464DS	F6	EIK1	EIK2	HRK1020	—	—	Std.	PKOGTC2	—	—	—	CL20F
H465	E4	EIK40601	EIK40602	HRK4060	—	—	(2) PKOGTA2	—	—	—	—	—
H465AWK	E5	EIK40601	EIK40602	HRK4060	—	—	(2) PKOGTA2	PKOGTC3	—	—	—	CL40F
H466	E4	EIK40601	EIK40602	HRK4060	—	—	(2) PKOGTA2	—	—	—	—	—
H60XFA	E1	—	—	—	100SNA	—	—	—	—	—	—	—
H60XFA1212	E1	Std. 1	—	—	100SNA	—	—	—	—	—	—	—
H663AWK	F6	EIK1	EIK2	RFK10	—	—	Std.	GTK0610C	Std.	—	LOGK2	CL10F
H663DS	F6	EIK1	EIK2	RFK10	—	—	Std.	GTK0610C	Std.	—	—	CL10F
H664AWK	F6	EIK1	EIK2	HRK1020	—	—	Std.	PKOGTC2	—	—	LOGK2	CL20F
H664DS	F6	EIK1	EIK2	HRK1020	—	—	Std.	PKOGTC2	—	—	—	CL20F
HU265	E4	EIK40601	EIK40602	—	H600SN	—	(2) PKOGTA2	—	—	—	—	—
HU265AWK	E5	EIK40601	EIK40602	—	H600SN	H600SNC	(2) PKOGTA2	PKOGTC3	—	—	—	CL40F
HU265DS	E5	EIK40601	EIK40602	—	H600SN	H600SNC	(2) PKOGTA2	PKOGTC3	—	—	—	CL40F
HU265R	E5	EIK40601	EIK40602	—	H600SN	—	(2) PKOGTA2	—	—	—	—	—
HU266	E4	EIK40601	EIK40602	—	H600SN	—	(2) PKOGTA2	—	—	—	—	—
HU266AWK	E5	EIK40601	EIK40602	—	H600SN	H600SNC	(2) PKOGTA2	PKOGTC3	—	—	—	CL60F
HU266DS	E5	EIK40601	EIK40602	—	H600SN	H600SNC	(2) PKOGTA2	PKOGTC3	—	—	—	CL60F
HU266R	E5	EIK40601	EIK40602	—	H600SN	—	(2) PKOGTA2	—	—	—	—	—
HU267	E4	EIK40601	EIK40602	—	H800SNE4	—	PKOGTA7	—	—	—	—	—
HU267AWK	E4	EIK40601	EIK40602	—	H800SNE4	—	PKOGTA7	—	—	—	—	—
HU267R	E4	EIK40601	EIK40602	—	H800SNE4	—	PKOGTA7	—	—	—	—	—
HU268	E4	EIK40601	EIK40602	—	H1200SNE4	—	PKOGTA8	—	—	—	—	—
HU268AWK	E4	EIK40601	EIK40602	—	H1200SNE4	—	PKOGTA8	—	—	—	—	—
HU268R	E4	EIK40601	EIK40602	—	H1200SNE4	—	PKOGTA8	—	—	—	—	—
HU361	F5	EIK031	EIK032	—	SN03	—	GTK03	—	—	SS03	LOGK1	—
HU3612A	F6	EIK1	EIK2	—	SN0610	SN0610C	Std.	GTK0610C	—	SS06	LOGK2	CL0306F
HU3612AWK	F6	EIK1	EIK2	—	SN0610	SN0610C	Std.	GTK0610C	—	SS06	LOGK2	CL0306F
HU3612RB	F5	EIK031	EIK032	—	SN0610	—	GTK0610	—	—	SS03	LOGK2	—
HU361A	F6	EIK031	EIK032	—	SN03	SN03C	Std.	GTK03C	—	SS03	LOGK1	CL0306F
HU361AEI	F6	Std.	EIK032	—	SN03	SN03C	Std.	GTK03C	—	SS03	LOGK1	CL0306F
HU361AWA	F7	EIK1	EIK2	—	—	—	Std.	GTK03C	—	—	LOGK2	CL0306F
HU361AWC	F7	EIK1	EIK2	—	—	—	Std.	GTK03C	—	—	LOGK2	CL0306F
HU361AWK	F6	EIK031	EIK032	—	SN03	SN03C	Std.	GTK03C	—	SS03	LOGK1	CL0306F
HU361AWKEI	F6	Std.	EIK032	—	SN03	SN03C	Std.	GTK03C	—	SS03	LOGK1	CL0306F
HU361DF	F1	9999TC10	9999TC20	—	SN03	—	Std.	—	—	—	—	—
HU361DS	F6	EIK031	EIK032	—	SN03	SN03C	Std.	GTK03C	—	SS03	—	CL0306F
HU361DSEI	F6	Std.	EIK032	—	SN03	SN03C	Std.	GTK03C	—	SS03	—	CL0306F
HU361DSWA	F7	EIK1	EIK2	—	—	—	Std.	GTK03C	—	—	—	CL0306F
HU361DSWC	F7	EIK1	EIK2	—	—	—	Std.	GTK03C	—	—	—	CL0306F
HU361DX	F1	9999TC10	9999TC20	—	H60SN	—	Std.	—	—	—	—	—
HU361EI	F5	Std.	EK032	—	SN03	—	GTK03	—	—	SS03	LOGK1	—
HU361RB	F5	EK031	EK032	—	SN03	—	GTK03	—	—	SS03	LOGK1	—
HU361RBEI	F5	Std.	EK032	—	SN03	—	GTK03	—	—	SS03	LOGK1	—
HU361SS	F6	EK031	EK032	—	SN03	SN03C	Std.	GTK03C	—	SS03	—	CL0306F
HU361WA	F6	EIK1	EIK2	—	—	—	Std.	—	—	—	LOGK2	—
HU361WC	F6	EIK1	EIK2	—	—	—	Std.	—	—	—	LOGK2	—
HU362	F5	EIK1	EIK2	—	SN0610	—	GTK0610	—	—	SS06	LOGK2	—
HU362A	F6	EIK1	EIK2	—	SN0610	SN0610C	Std.	GTK0610C	—	SS06	LOGK2	CL0306F
HU362AWA	F7	EIK1	EIK2	—	—	—	Std.	GTK0610C	—	—	LOGK2	CL0306F
HU362AWC	F7	EIK1	EIK2	—	—	—	Std.	GTK0610C	—	—	LOGK2	CL0306F
HU362AWH	F6	EIK1	EIK2	—	—	—	Std.	GTK0610C	—	—	LOGK2	CL0306F

¹ 1NO/1NC auxiliary contacts provided on the enclosed molded case switch.

—Continued

Enclosed Safety Switches General Information

Table 45: Accessories for Current Series Heavy Duty Safety Switches

Catalog Number	Series	Electrical Interlock Kit (1NO/1NC Contacts)	Electrical Interlock Kit (2NO/2NC Contacts)	Class R Kit	Solid Neutral Kit (Al/Cu)	Solid Neutral (Cu Only)	Equipment Grounding Kit (Al/Cu)	Equipment Grounding Kit (Cu)	Fuse Puller Kit	Interior Barrier Kit	Lock-Off Guard Kit	Copper Only Lug Kit
HU362AWK	F6	EIK1	EIK2	—	SN0610	SN0610C	Std.	GTK0610C	—	SS06	LOGK2	CL0306F
HU362DF	F1	9999TC10	9999TC20	—	SN03	—	Std.	—	—	—	—	—
HU362DS	F6	EIK1	EIK2	—	SN0610	SN0610C	Std.	GTK0610C	—	SS06	—	CL0306F
HU362DSEI	F6	Std.	EIK2	—	SN0610	SN0610C	Std.	GTK0610C	—	SS06	—	CL0306F
HU362DSWA	F7	EIK1	EIK2	—	—	—	Std.	GTK0610C	—	—	—	CL0306F
HU362DSWC	F7	EIK1	EIK2	—	—	—	Std.	GTK0610C	—	—	—	CL0306F
HU362DX	F1	9999TC10	9999TC20	—	H60SN	—	Std.	—	—	—	—	—
HU362RB	F5	EIK1	EIK2	—	SN0610	—	GTK0610	—	—	SS06	LOGK2	—
HU362SS	F6	EIK1	EIK2	—	SN0610	SN0610C	Std.	GTK0610C	—	SS06	—	CL0306F
HU362WA	F6	EIK1	EIK2	—	—	—	Std.	—	—	—	LOGK2	—
HU362WC	F6	EIK1	EIK2	—	—	—	Std.	—	—	—	LOGK2	—
HU362WH	F5	EIK1	EIK2	—	—	—	Std.	—	—	—	LOGK2	—
HU363	F5	EIK1	EIK2	—	SN0610	—	GTK0610	—	—	SS10	LOGK2	—
HU363A	F6	EIK1	EIK2	—	SN0610	SN0610C	Std.	GTK0610C	—	SS10	LOGK2	CL10F
HU363AWA	F7	EIK1	EIK2	—	—	—	Std.	GTK0610C	—	—	LOGK2	CL10F
HU363AWC	F7	EIK1	EIK2	—	—	—	Std.	GTK0610C	—	—	LOGK2	CL10F
HU363AWK	F6	EIK1	EIK2	—	SN0610	SN0610C	Std.	GTK0610C	—	SS10	LOGK2	CL10F
HU363DF	F1	9999TC10	9999TC20	—	SN0610	—	Std.	—	—	—	—	—
HU363DS	F6	EIK1	EIK2	—	SN0610	SN0610C	Std.	GTK0610C	—	SS10	—	CL10F
HU363DSWA	F7	EIK1	EIK2	—	—	—	Std.	GTK0610C	—	—	—	CL10F
HU363DSWC	F7	EIK1	EIK2	—	—	—	Std.	GTK0610C	—	—	—	CL10F
HU363DX	F1	9999TC10	9999TC20	—	SN0610	—	Std.	—	—	—	—	—
HU363RB	F5	EIK1	EIK2	—	SN0610	—	GTK0610	—	—	SS10	LOGK2	—
HU363SS	F6	EIK1	EIK2	—	SN0610	SN0610C	Std.	GTK0610C	—	SS10	—	CL10F
HU363WA	F6	EIK1	EIK2	—	—	—	Std.	GTK0610C	—	—	LOGK2	CL10F
HU363WC	F6	EIK1	EIK2	—	—	—	Std.	GTK0610C	—	—	LOGK2	CL10F
HU364	F5	EIK1	EIK2	—	SN20A	—	PKOGTA2	—	—	SS20	LOGK2	—
HU364A	F6	EIK1	EIK2	—	SN20A	SN20C	Std.	PKOGTC2	—	SS20	LOGK2	CL10F
HU364AWK	F6	EIK1	EIK2	—	SN20A	SN20C	Std.	PKOGTC2	—	SS20	LOGK2	CL20F
HU364DF	E1	EIK1	EIK2	—	—	—	Std.	—	—	—	—	—
HU364DS	F6	9999R8	9999R9	—	SN20A	SN20C	Std.	PKOGTC2	—	SS20	—	CL20F
HU364RB	F5	EIK1	EIK2	—	SN20A	—	PKOGTA2	—	—	SS20	LOGK2	—
HU364SS	F6	EIK1	EIK2	—	SN20A	SN20C	Std.	PKOGTC2	—	SS20	—	CL20F
HU365	E4	EIK40601	EIK40602	—	H600SN	—	(2) PKOGTA2	PKOGTC3	—	—	—	—
HU365AWK	E5	EIK40601	EIK40602	—	H600SN	H600SNC	(2) PKOGTA2	PKOGTC3	—	—	—	CL40F
HU365DS	E5	EIK40601	EIK40602	—	H600SN	H600SNC	(2) PKOGTA2	PKOGTC3	—	—	—	CL40F
HU365R	E5	EIK40601	EIK40602	—	H600SN	—	(2) PKOGTA2	—	—	—	—	—
HU365SS	E5	EIK40601	EIK40602	—	H600SN	H600SNC	(2) PKOGTA2	PKOGTC3	—	—	—	CL40F
HU366	E4	EIK40601	EIK40602	—	H600SN	—	(2) PKOGTA2	—	—	—	—	—
HU366AWK	E5	EIK40601	EIK40602	—	H600SN	H600SNC	(2) PKOGTA2	PKOGTC3	—	—	—	CL60F
HU366DS	E5	EIK40601	EIK40602	—	H600SN	H600SNC	(2) PKOGTA2	PKOGTC2	—	—	—	CL60F
HU366R	E4	EIK40601	EIK40602	—	H600SN	—	(2) PKOGTA2	—	—	—	—	—
HU366SS	E5	EIK40601	EIK40602	—	H600SN	H600SNC	(2) PKOGTA2	PKOGTC3	—	—	—	CL60F
HU367	E4	EIK40601	EIK40602	—	H800SNE4	—	PKOGTA7	—	—	—	—	—
HU367AWK	E4	EIK40601	EIK40602	—	H800SNE4	—	PKOGTA7	—	—	—	—	—
HU367R	E4	EIK40601	EIK40602	—	H800SNE4	—	PKOGTA7	—	—	—	—	—
HU368	E4	EIK40601	EIK40602	—	H1200SNE4	—	PKOGTA8	—	—	—	—	—
HU368AWK	E4	EIK40601	EIK40602	—	H1200SNE4	—	PKOGTA8	—	—	—	—	—
HU368R	E4	EIK40601	EIK40602	—	H1200SNE4	—	PKOGTA8	—	—	—	—	—
HU461	F5	EIK1	EIK2	—	—	—	Std.	—	—	—	LOGK2	—
HU461AWK	F6	EIK1	EIK2	—	—	—	Std.	GTK0610C	—	—	LOGK2	CL0306F
HU461DS	F6	EIK1	EIK2	—	—	—	Std.	GTK0610C	—	—	LOGK2	CL0306F
HU462	F5	EIK1	EIK2	—	—	—	Std.	—	—	—	LOGK2	—
HU462AWK	F6	EIK1	EIK2	—	—	—	Std.	GTK0610C	—	—	LOGK2	CL0306F
HU462DS	F6	EIK1	EIK2	—	—	—	Std.	GTK0610C	—	—	LOGK2	CL0306F
HU463	F5	EIK1	EIK2	—	—	—	Std.	—	—	—	LOGK2	—
HU463AWK	F6	EIK1	EIK2	—	—	—	Std.	GTK0610C	—	—	LOGK2	CL10F
HU463DS	F6	EIK1	EIK2	—	—	—	Std.	GTK0610C	—	—	LOGK2	CL10F
HU464	F5	EIK1	EIK2	—	—	—	Std.	—	—	—	LOGK2	—
HU464AWK	F6	EIK1	EIK2	—	—	—	Std.	PKOGTC2	—	—	LOGK2	CL20F
HU464DS	F6	EIK1	EIK2	—	—	—	Std.	PKOGTC2	—	—	LOGK2	CL20F
HU465	E2	EIK40601	EIK40602	—	—	—	(2) PKOGTA2	—	—	—	—	—
HU465AWK	E5	EIK40601	EIK40602	—	—	—	(2) PKOGTA2	PKOGTC3	—	—	—	—
HU466	E4	EIK40601	EIK40602	—	—	—	(2) PKOGTA2	—	—	—	—	—
HU661AWK	F6	EIK1	EIK2	—	—	—	Std.	GTK03C	—	—	LOGK2	CL0306F
HU661DS	F6	EIK1	EIK2	—	—	—	Std.	GTK03C	—	—	LOGK2	CL0306F
HU662AWK	F6	EIK1	EIK2	—	—	—	Std.	GTK0610C	—	—	LOGK2	CL0306F
HU662DS	F6	EIK1	EIK2	—	—	—	Std.	GTK0610C	—	—	LOGK2	CL0306F

—Continued

Enclosed Safety Switches General Information

Table 45: Accessories for Current Series Heavy Duty Safety Switches

Catalog Number	Series	Electrical Interlock Kit (1NO/1NC Contacts)	Electrical Interlock Kit (2NO/2NC Contacts)	Class R Kit	Solid Neutral Kit (Al/Cu)	Solid Neutral (Cu Only)	Equipment Grounding Kit (Al/Cu)	Equipment Grounding Kit (Cu)	Fuse Puller Kit	Interior Barrier Kit	Lock-Off Guard Kit	Copper Only Lug Kit
HU663AWK	F6	EIK1	EIK2	—	—	—	Std.	GTK0610C	—	—	LOGK2	CL10F
HU663DS	F6	EIK1	EIK2	—	—	—	Std.	GTK0610C	—	—	—	CL10F
HU664AWK	F6	EIK1	EIK2	—	—	—	Std.	PKOGTC2	—	—	LOGK2	CL20F
HU664DS	F6	EIK1	EIK2	—	—	—	Std.	PKOGTC2	—	—	—	CL20F

¹ 1NO/1NC auxiliary contacts provided on the enclosed molded case switch.

² Requires both SS4060LI and SS4060LO for line and load side protection.

³ Requires both SS80120LI and SS80120LO for line and load side protection.

Table 46: 30 A Horsepower Rating

Catalog Number	Series	120 V ac		240 V ac						480 V ac						600 V ac						V dc					
		Std		Max		Std			Max			Std			Max			Std			Max						
		1Ø	1Ø	1Ø	2Ø	3Ø	1Ø	2Ø	3Ø	1Ø	2Ø	3Ø	1Ø	2Ø	3Ø	1Ø	2Ø	3Ø	1Ø	2Ø	3Ø	125	250	600	125	250	600
H221A	F6	0.5	2	1.5	—	3 ¹	3	—	7.5 ¹	—	—	—	—	—	—	—	—	—	—	—	—	—	—	—	—	—	—
H221AWK	F6	0.5	2	1.5	—	3 ¹	3	—	7.5 ¹	—	—	—	—	—	—	—	—	—	—	—	—	—	—	—	—	—	—
H221AWS	F6	0.5	2	1.5	—	3 ¹	3	—	7.5 ¹	—	—	—	—	—	—	—	—	—	—	—	—	—	—	—	—	—	—
H221DS	F6	0.5	2	1.5	—	3 ¹	3	—	7.5 ¹	—	—	—	—	—	—	—	—	—	—	—	—	—	—	—	—	—	—
H221N	F5	0.5	2	1.5	—	3	3	—	7.5	—	—	—	—	—	—	—	—	—	—	—	—	—	—	—	—	—	—
H221NRS	F5	0.5	2	1.5	—	3	3	—	7.5	—	—	—	—	—	—	—	—	—	—	—	—	—	—	—	—	—	—
H321A	F6	0.5	2	1.5	—	3 ¹	3	—	7.5 ¹	—	—	—	—	—	—	—	—	—	—	—	—	—	—	—	—	—	—
H321AWS	F6	0.5	2	1.5	—	3 ¹	3	—	7.5 ¹	—	—	—	—	—	—	—	—	—	—	—	—	—	—	—	—	—	—
H321DS	F6	0.5	2	1.5	—	3 ¹	3	—	7.5 ¹	—	—	—	—	—	—	—	—	—	—	—	—	—	—	—	—	—	—
H321N	F5	0.5	—	1.5	—	3	3	—	7.5	—	—	—	—	—	—	—	—	—	—	—	—	—	—	—	—	—	—
H321NRS	F5	0.5	—	1.5	—	3	3	—	7.5	—	—	—	—	—	—	—	—	—	—	—	—	—	—	—	—	—	—
H361	F5	—	—	—	—	—	—	—	3	—	5	7.5	—	15	—	—	—	7.5	—	—	20	—	5	10	—	—	15
H3612	F5	—	—	—	—	—	—	—	3	—	5	7.5	—	15	—	—	—	7.5	—	—	20	—	5	10	—	—	15
H361A	F6	—	—	—	—	—	—	—	3	—	5	7.5	—	15	—	—	—	7.5	—	—	20	—	5	10	—	—	15
H361AWS	F6	—	—	—	—	—	—	—	3	—	5	7.5	—	15	—	—	—	7.5	—	—	20	—	5	10	—	—	15
H361DS	F5	—	—	—	—	—	—	—	3	—	5	7.5	—	15	—	—	—	7.5	—	—	20	—	5	10	—	—	15
H361N	F5	—	—	—	—	—	—	—	3	—	5	7.5	—	15	—	—	—	7.5	—	—	20	—	5	10	—	—	15
H361NRS	F5	—	—	—	—	—	—	—	3	—	5	7.5	—	15	—	—	—	7.5	—	—	20	—	5	10	—	—	15
H361RS	F5	—	—	—	—	—	—	—	3	—	5	7.5	—	15	—	—	—	7.5	—	—	20	—	5	10	—	—	15
H361SS	F6	—	—	—	—	—	—	—	3	—	5	7.5	—	15	—	—	—	7.5	—	—	20	—	5	10	—	—	15
H3612A	F6	—	—	—	—	—	—	—	3	—	5	7.5	—	15	—	—	—	7.5	—	—	20	—	5	10	—	—	15
H3612AWS	F6	—	—	—	—	—	—	—	3	—	5	7.5	—	15	—	—	—	7.5	—	—	20	—	5	10	—	—	15
H461	F5	—	—	—	3	3	—	10	7.5	—	7.5	5	—	20	15	—	10	7.5	—	25	20	2	5	10	3	—	15
H461AWS	F6	—	—	—	3	3	—	10	7.5	—	7.5	5	—	20	15	—	10	7.5	—	25	20	2	5	10	3	—	15
H461DS	F6	—	—	—	3	3	—	10	7.5	—	7.5	5	—	20	15	—	10	7.5	—	25	20	2	5	10	3	—	15
HU361	F5	—	2	—	—	—	5	—	10	—	—	—	7.5	—	20	—	—	—	—	10	—	—	—	—	3	5	15
HU361A	F6	—	2	—	—	—	5	—	10	—	—	—	7.5	—	20	—	—	—	—	10	—	—	—	—	3	5	15
HU361AWS	F6	—	2	—	—	—	5	—	10	—	—	—	7.5	—	20	—	—	—	—	10	—	—	—	—	3	5	15
HU361DS	F6	—	2	—	—	—	5	—	10	—	—	—	7.5	—	20	—	—	—	—	10	—	—	—	—	3	5	15
HU361RS	F5	—	2	—	—	—	5	—	10	—	—	—	7.5	—	20	—	—	—	—	10	—	—	—	—	3	5	15
HU361SS	F6	—	2	—	—	—	5	—	10	—	—	—	7.5	—	20	—	—	—	—	10	—	—	—	—	3	5	15
HU461	F5	—	—	—	—	—	—	10	10	—	—	—	—	20	20	—	—	—	—	25	30	—	—	—	3	10	15
HU461AWS	F6	—	—	—	—	—	—	10	10	—	—	—	—	20	20	—	—	—	—	25	30	—	—	—	3	10	15
HU461DS	F6	—	—	—	—	—	—	10	10	—	—	—	—	20	20	—	—	—	—	25	30	—	—	—	3	10	15
HU661AWS	F6	—	—	—	—	—	—	—	10	—	—	—	—	20	20	—	—	—	—	—	30	—	—	—	—	—	—
HU661DS	F6	—	—	—	—	—	—	—	10	—	—	—	—	20	20	—	—	—	—	—	30	—	—	—	—	—	—

¹ For corner grounded only, install neutral and use switching poles for ungrounded conductors.

Enclosed Safety Switches General Information

Table 47: 60 A Horsepower Rating

Catalog Number	Series	120 V ac		240 V ac						480 V ac						600 V ac						V dc							
		Std		Max		Std.			Max			Std			Max			Std			Max			Std			Max		
		1Ø	1Ø	1Ø	2Ø	3Ø	1Ø	2Ø	3Ø	1Ø	2Ø	3Ø	1Ø	2Ø	3Ø	1Ø	2Ø	3Ø	1Ø	2Ø	3Ø	125	250	600	125	250	600		
H222A	F6	1.5	3	3	—	7.5 ¹	10	—	15 ¹	—	—	—	—	—	—	—	—	—	—	—	—	5	10	—	—	—	—		
H222AWK	F6	1.5	3	3	—	7.5 ¹	10	—	15 ¹	—	—	—	—	—	—	—	—	—	—	—	—	5	10	—	—	—	—		
H222DS	F6	1.5	3	3	—	7.5 ¹	10	—	15 ¹	—	—	—	—	—	—	—	—	—	—	—	—	5	10	—	—	—	—		
H222N	F5	1.5	3	3	—	7.5	10	—	15	—	—	—	—	—	—	—	—	—	—	—	—	5	10	—	—	—	—		
H222NRB	F5	1.5	3	3	—	7.5	10	—	15	—	—	—	—	—	—	—	—	—	—	—	—	5	10	—	—	—	—		
H322A	F6	1.5	3	3	—	7.5 ²	10	—	15 ²	—	—	—	—	—	—	—	—	—	—	—	—	5	10	—	—	—	—		
H322AWK	F6	1.5	3	3	—	7.5 ²	10	—	15 ²	—	—	—	—	—	—	—	—	—	—	—	—	5	10	—	—	—	—		
H322DS	F6	1.5	3	3	—	7.5 ²	10	—	15 ²	—	—	—	—	—	—	—	—	—	—	—	—	5	10	—	—	—	—		
H322N	F5	1.5	3	3	—	7.5	10	—	15	—	—	—	—	—	—	—	—	—	—	—	—	5	10	—	—	—	—		
H322NRB	F5	1.5	3	3	—	7.5	10	—	15	—	—	—	—	—	—	—	—	—	—	—	—	5	10	—	—	—	—		
H362	F5	—	—	3	—	7.5 ²	10	—	15 ²	5	—	15 ²	20	—	30 ²	—	—	15	—	—	50	—	10	25	—	—	30		
H362A	F6	—	—	3	—	7.5 ²	10	—	15 ²	5	—	15 ²	20	—	30 ²	—	—	15	—	—	50	—	10	25	—	—	30		
H362AWK	F6	—	—	3	—	7.5 ²	10	—	15 ²	5	—	15 ²	20	—	30 ²	—	—	15	—	—	50	—	10	25	—	—	30		
H362DS	F6	—	—	3	—	7.5 ²	10	—	15 ²	5	—	15 ²	20	—	30 ²	—	—	15	—	—	50	—	10	25	—	—	30		
H362N	F5	—	—	3	—	7.5	10	—	15	5	—	15	20	—	30	—	—	15	—	—	50	—	10	25	—	—	30		
H362NRB	F5	—	—	3	—	7.5	10	—	15	5	—	15	20	—	30	—	—	15	—	—	50	—	10	25	—	—	30		
H362RB	F5	—	—	3	—	7.5 ²	10	—	15 ²	5	—	15 ²	20	—	30 ²	—	—	15	—	—	50	—	10	25	—	—	30		
H362SS	F6	—	—	3	—	7.5 ²	10	—	15 ²	5	—	15 ²	20	—	30 ²	—	—	15	—	—	50	—	10	25	—	—	30		
H462	F5	—	—	—	7.5	7.5	—	20	15	—	15	15	—	40	30	—	20	15	—	50	50	5	10	25	—	—	30		
H462AWK	F6	—	—	—	7.5	7.5	—	20	15	—	15	15	—	40	30	—	20	15	—	50	50	5	10	25	—	—	30		
H462DS	F6	—	—	—	7.5	7.5	—	20	15	—	15	15	—	40	30	—	20	15	—	50	50	5	10	25	—	—	30		
HU362	F5	—	5	—	—	—	10	—	20 ³	—	—	—	25	—	50 ⁴	—	—	30	—	—	60	—	—	—	5	10	30		
HU362A	F6	—	5	—	—	—	10	—	20 ³	—	—	—	25	—	50 ⁴	—	—	30	—	—	60	—	—	—	5	10	30		
HU362AWK	F6	—	5	—	—	—	10	—	20 ³	—	—	—	25	—	50 ⁴	—	—	30	—	—	60	—	—	—	5	10	30		
HU362DS	F6	—	5	—	—	—	10	—	20 ³	—	—	—	25	—	50 ⁴	—	—	30	—	—	60	—	—	—	5	10	30		
HU362RB	F5	—	5	—	—	—	10	—	20 ³	—	—	—	25	—	50 ⁴	—	—	30	—	—	60	—	—	—	5	10	30		
HU462	F5	—	—	—	—	—	20	20	—	—	—	—	40	50	—	—	—	—	50	60	—	—	—	—	5	10	30		
HU462AWK	F6	—	—	—	—	—	20	20	—	—	—	—	40	50	—	—	—	—	50	60	—	—	—	—	5	10	30		
HU462DS	F6	—	—	—	—	—	20	20	—	—	—	—	40	50	—	—	—	—	50	60	—	—	—	—	5	10	30		
HU662AWK	F6	—	—	—	—	—	—	20	—	—	—	—	—	50	—	—	—	—	—	—	60	—	—	—	—	—	—		
HU662DS	F6	—	—	—	—	—	—	20	—	—	—	—	—	50	—	—	—	—	—	—	60	—	—	—	—	—	—		

- 1 For corner grounded delta only, install neutral and use switching poles for ungrounded conductors.
- 2 If corner grounded delta, install neutral and use outer switching poles for ungrounded conductors.
- 3 15 HP on corner grounded delta. Install neutral and use outer switching poles.
- 4 30 HP on corner grounded delta. Install neutral and use outer switching poles.

Enclosed Safety Switches General Information

Table 48: 100 A Horsepower Rating

Catalog Number	Series	120 V ac		240 V ac						480 V ac						600 V ac						V dc					
		Std		Max		Std			Max			Std			Max			Std			Max						
		1Ø	1Ø	1Ø	2Ø	3Ø	1Ø	2Ø	3Ø	1Ø	2Ø	3Ø	1Ø	2Ø	3Ø	1Ø	2Ø	3Ø	1Ø	2Ø	3Ø	125	250	600	125	250	600
H223A	F6	—	—	7.5	—	15 ¹	15	—	30 ¹	—	—	—	—	—	—	—	—	—	—	—	—	—	—	—	—	—	—
H223AWK	F6	—	—	7.5	—	15 ¹	15	—	30 ¹	—	—	—	—	—	—	—	—	—	—	—	—	—	—	—	—	—	—
H223DS	F6	—	—	7.5	—	15 ¹	15	—	30 ¹	—	—	—	—	—	—	—	—	—	—	—	—	—	—	—	—	—	—
H223N	F5	—	—	7.5	—	15	15	—	30	—	—	—	—	—	—	—	—	—	—	—	—	—	—	—	—	—	—
H223NRB	F5	—	—	7.5	—	15	15	—	30	—	—	—	—	—	—	—	—	—	—	—	—	—	—	—	—	—	—
H323A	F6	—	—	7.5	—	15 ²	15	—	30 ²	—	—	—	—	—	—	—	—	—	—	—	—	—	—	—	—	—	—
H323AWK	F6	—	—	7.5	—	15 ²	15	—	30 ²	—	—	—	—	—	—	—	—	—	—	—	—	—	—	—	—	—	—
H323DS	F6	—	—	7.5	—	15 ²	15	—	30 ²	—	—	—	—	—	—	—	—	—	—	—	—	—	—	—	—	—	—
H323N	F5	—	—	7.5	—	15	15	—	30	—	—	—	—	—	—	—	—	—	—	—	—	—	—	—	—	—	—
H323NRB	F5	—	—	7.5	—	15	15	—	30	—	—	—	—	—	—	—	—	—	—	—	—	—	—	—	—	—	—
H363	F5	—	—	7.5	—	15 ²	15	—	30 ²	10	—	25 ²	30	—	60	—	—	30	—	—	75	—	20	40	—	—	50
H363A	F6	—	—	7.5	—	15 ²	15	—	30 ²	10	—	25 ²	30	—	60	—	—	30	—	—	75	—	20	40	—	—	50
H363AWK	F6	—	—	7.5	—	15 ²	15	—	30 ²	10	—	25 ²	30	—	60	—	—	30	—	—	75	—	20	40	—	—	50
H363DS	F6	—	—	7.5	—	15 ²	15	—	30 ²	10	—	25 ²	30	—	60	—	—	30	—	—	75	—	20	40	—	—	50
H363N	F5	—	—	7.5	—	15	15	—	30	10	—	25	30	—	60	—	—	30	—	—	75	—	20	40	—	—	50
H363NRB	F5	—	—	7.5	—	15	15	—	30	10	—	25	30	—	60	—	—	30	—	—	75	—	20	40	—	—	50
H363RB	F5	—	—	7.5	—	15 ²	15	—	30 ²	10	—	25 ²	30	—	60	—	—	30	—	—	75	—	20	40	—	—	50
H363SS	F6	—	—	7.5	—	15 ²	15	—	30 ²	10	—	25 ²	30	—	60	—	—	30	—	—	75	—	20	40	—	—	50
H463	F5	—	—	—	15	15	—	30	30	—	25	25	—	50	60	—	30	30	—	50	75	—	20	25	—	—	30
H463AWK	F6	—	—	—	15	15	—	30	30	—	25	25	—	50	60	—	30	30	—	50	75	—	20	25	—	—	30
H463DS	F6	—	—	—	15	15	—	30	30	—	25	25	—	50	60	—	30	30	—	50	75	—	20	25	—	—	30
H663AWK	F6	—	—	—	—	15	—	—	30	—	—	25	—	—	60	—	—	30	—	—	75	—	—	—	—	—	—
H663DS	F6	—	—	—	—	15	—	—	30	—	—	25	—	—	60	—	—	30	—	—	75	—	—	—	—	—	—
HU363	F5	—	7.5	—	—	—	20	—	40	—	—	—	40	—	75 ³	—	—	—	40	—	100	—	—	—	7.5	20	50
HU363A	F6	—	7.5	—	—	—	20	—	40	—	—	—	40	—	75 ³	—	—	—	40	—	100	—	—	—	7.5	20	50
HU363AWK	F6	—	7.5	—	—	—	20	—	40	—	—	—	40	—	75 ³	—	—	—	40	—	100	—	—	—	7.5	20	50
HU363DS	F6	—	7.5	—	—	—	20	—	40	—	—	—	40	—	75 ³	—	—	—	40	—	100	—	—	—	7.5	20	50
HU363RB	F5	—	7.5	—	—	—	20	—	40	—	—	—	40	—	75 ³	—	—	—	40	—	100	—	—	—	7.5	20	50
HU363SS	F6	—	7.5	—	—	—	20	—	40	—	—	—	40	—	75 ³	—	—	—	40	—	100	—	—	—	7.5	20	50
HU463	F5	—	—	—	—	—	30	40	—	—	—	—	50	75	—	—	—	—	50	75	—	—	—	—	—	20	30
HU463AWK	F6	—	—	—	—	—	30	40	—	—	—	—	50	75	—	—	—	—	50	75	—	—	—	—	—	20	30
HU463DS	F6	—	—	—	—	—	30	40	—	—	—	—	50	75	—	—	—	—	50	75	—	—	—	—	—	20	30
HU663AWK	F6	—	—	—	—	—	—	—	40	—	—	—	—	—	75	—	—	—	—	—	75	—	—	—	—	—	—
HU663DS	F6	—	—	—	—	—	—	—	40	—	—	—	—	—	75	—	—	—	—	—	75	—	—	—	—	—	—

- ¹ For corner grounded delta only, install neutral and use switching poles for ungrounded conductors.
- ² If corner grounded delta, install neutral and use outer switching poles for ungrounded conductors.
- ³ 60 HP on corner grounded delta. Install neutral and use outer switching poles.

Enclosed Safety Switches

General Information

Table 49: 200 A Horsepower Rating

Catalog Number	Series	120 V ac		240 V ac						480 V ac						600 V ac						V dc					
		Std	Max	Std			Max			Std			Max			Std			Max			Std			Max		
		1Ø	1Ø	1Ø	2Ø	3Ø	1Ø	2Ø	3Ø	1Ø	2Ø	3Ø	1Ø	2Ø	3Ø	1Ø	2Ø	3Ø	1Ø	2Ø	3Ø	125	250	600	125	250	600
H224A	F6	—	—	15	—	25 ¹	—	—	60 ¹	—	—	—	—	—	—	—	—	—	—	—	—	—	—	—	—	—	—
H224AWK	F6	—	—	15	—	25 ¹	—	—	60 ¹	—	—	—	—	—	—	—	—	—	—	—	—	—	—	—	—	—	—
H224DS	F6	—	—	15	—	25 ¹	—	—	60 ¹	—	—	—	—	—	—	—	—	—	—	—	—	—	—	—	—	—	—
H224N	F5	—	—	15	—	25	—	—	60	—	—	—	—	—	—	—	—	—	—	—	—	—	—	—	—	—	—
H224NRB	F5	—	—	15	—	25	—	—	60	—	—	—	—	—	—	—	—	—	—	—	—	—	—	—	—	—	—
H324A	F6	—	—	15	—	25 ¹	—	—	60 ¹	—	—	—	—	—	—	—	—	—	—	—	—	—	—	—	—	—	—
H324AWK	F6	—	—	15	—	25 ¹	—	—	60 ¹	—	—	—	—	—	—	—	—	—	—	—	—	—	—	—	—	—	—
H324DS	F6	—	—	15	—	25 ¹	—	—	60 ¹	—	—	—	—	—	—	—	—	—	—	—	—	—	—	—	—	—	—
H324N	F5	—	—	15	—	25	—	—	60	—	—	—	—	—	—	—	—	—	—	—	—	—	—	—	—	—	—
H324NRB	F5	—	—	15	—	25	—	—	60	—	—	—	—	—	—	—	—	—	—	—	—	—	—	—	—	—	—
H364	F5	—	—	15	—	25 ²	—	—	60 ²	25	—	50 ²	50	—	125 ²	30	—	60 ²	50	—	150 ²	—	40	50	—	—	—
H364A	F6	—	—	15	—	25 ²	—	—	60 ²	25	—	50 ²	50	—	125 ²	30	—	60 ²	50	—	150 ²	—	40	50	—	—	—
H364AWK	F6	—	—	15	—	25 ²	—	—	60 ²	25	—	50 ²	50	—	125 ²	30	—	60 ²	50	—	150 ²	—	40	50	—	—	—
H364DS	F6	—	—	15	—	25 ²	—	—	60 ²	25	—	50 ²	50	—	125 ²	30	—	60 ²	50	—	150 ²	—	40	50	—	—	—
H364N	F5	—	—	15	—	25	—	—	60	25	—	50	50	—	125	30	—	60	50	—	150 ²	—	40	50	—	—	—
H364NRB	F5	—	—	15	—	25	—	—	60	25	—	50	50	—	125	30	—	60	50	—	150	—	40	50	—	—	—
H364RB	F5	—	—	15	—	25 ²	—	—	60 ²	25	—	50 ²	50	—	125 ²	30	—	60 ²	50	—	150 ²	—	40	50	—	—	—
H364SS	F6	—	—	15	—	25 ²	—	—	60 ²	25	—	50 ²	50	—	125 ²	30	—	60 ²	50	—	150 ²	—	40	50	—	—	—
H464	F5	—	—	—	30	25	—	—	50	60	—	50	50	—	125	—	50	60	—	—	150	—	40	50	—	—	—
H464AWK	F6	—	—	—	30	25	—	—	50	60	—	50	50	—	125	—	50	60	—	—	150	—	40	50	—	—	—
H464DS	F6	—	—	—	30	25	—	—	50	60	—	50	50	—	125	—	50	60	—	—	150	—	40	50	—	—	—
H664AWK	F6	—	—	—	30	25	—	—	50	60	—	50	50	—	125	—	50	60	—	—	150	—	40	50	—	—	—
H664DS	F6	—	—	—	30	25	—	—	50	60	—	50	50	—	125	—	50	60	—	—	150	—	40	50	—	—	—
HU364	F5	—	—	—	—	—	15	—	60 ²	—	—	—	50	—	125 ²	—	—	—	50	—	150 ²	—	40	50	—	—	—
HU364A	F6	—	—	—	—	—	15	—	60 ²	—	—	—	50	—	125 ²	—	—	—	50	—	150 ²	—	40	50	—	—	—
HU364AWK	F6	—	—	—	—	—	15	—	60 ²	—	—	—	50	—	125 ²	—	—	—	50	—	150 ²	—	40	50	—	—	—
HU364DS	F6	—	—	—	—	—	15	—	60 ²	—	—	—	50	—	125 ²	—	—	—	50	—	150 ²	—	40	50	—	—	—
HU364RB	F5	—	—	—	—	—	15	—	60 ²	—	—	—	50	—	125 ²	—	—	—	50	—	150 ²	—	40	50	—	—	—
HU364SS	F6	—	—	—	—	—	15	—	60 ²	—	—	—	50	—	125 ²	—	—	—	50	—	150 ²	—	40	50	—	—	—
HU464	F5	—	—	—	—	—	—	50	60	—	—	—	—	50	125	—	—	—	—	50	150	—	40	50	—	—	—
HU464AWK	F6	—	—	—	—	—	—	50	60	—	—	—	—	50	125	—	—	—	—	50	150	—	40	50	—	—	—
HU464DS	F6	—	—	—	—	—	—	50	60	—	—	—	—	50	125	—	—	—	—	50	150	—	40	50	—	—	—
HU664AWK	F6	—	—	—	—	—	—	—	60	—	—	—	—	—	125	—	—	—	—	—	150	—	—	—	—	—	—
HU664DS	F6	—	—	—	—	—	—	—	60	—	—	—	—	—	125	—	—	—	—	—	150	—	—	—	—	—	—

¹ For corner grounded delta only, install neutral and use switching poles for ungrounded conductors.

² If corner grounded delta, install neutral and use outer switching poles for ungrounded conductors.

Enclosed Safety Switches General Information

Table 50: 400 A Horsepower Rating

Catalog Number	Series	120 V ac		240 V ac						480 V ac						600 V ac						V dc							
		Std		Max		Std			Max			Std			Max			Std			Max			Std			Max		
		1Ø	1Ø	1Ø	2Ø	3Ø	1Ø	2Ø	3Ø	1Ø	2Ø	3Ø	1Ø	2Ø	3Ø	1Ø	2Ø	3Ø	1Ø	2Ø	3Ø	125	250	600	125	250	600		
H225	E4	—	—	—	—	50 ¹	—	—	125 ¹	—	—	—	—	—	—	—	—	—	—	—	—	—	—	—	—	—	—		
H225AWK	E5	—	—	—	—	50 ¹	—	—	125 ¹	—	—	—	—	—	—	—	—	—	—	—	—	—	—	—	—	—	—		
H225DS	E5	—	—	—	—	50 ¹	—	—	125 ¹	—	—	—	—	—	—	—	—	—	—	—	—	—	—	—	—	—	—		
H225N	E4	—	—	—	—	50	—	—	125	—	—	—	—	—	—	—	—	—	—	—	—	—	—	—	—	—	—		
H225NAWK	E5	—	—	—	—	50	—	—	125	—	—	—	—	—	—	—	—	—	—	—	—	—	—	—	—	—	—		
H225NDS	E5	—	—	—	—	50	—	—	125	—	—	—	—	—	—	—	—	—	—	—	—	—	—	—	—	—	—		
H225NR	E5	—	—	—	—	50	—	—	125	—	—	—	—	—	—	—	—	—	—	—	—	—	—	—	—	—	—		
H225R	E5	—	—	—	—	50 ¹	—	—	125 ¹	—	—	—	—	—	—	—	—	—	—	—	—	—	—	—	—	—	—		
H325	E4	—	—	—	—	50	—	—	125	—	—	—	—	—	—	—	—	—	—	—	—	—	—	—	—	—	—		
H325AWK	E5	—	—	—	—	50	—	—	125	—	—	—	—	—	—	—	—	—	—	—	—	—	—	—	—	—	—		
H325DS	E5	—	—	—	—	50	—	—	125	—	—	—	—	—	—	—	—	—	—	—	—	—	—	—	—	—	—		
H325N	E4	—	—	—	—	50	—	—	125	—	—	—	—	—	—	—	—	—	—	—	—	—	—	—	—	—	—		
H325NAWK	E5	—	—	—	—	50	—	—	125	—	—	—	—	—	—	—	—	—	—	—	—	—	—	—	—	—	—		
H325NDS	E5	—	—	—	—	50	—	—	125	—	—	—	—	—	—	—	—	—	—	—	—	—	—	—	—	—	—		
H325NR	E5	—	—	—	—	50	—	—	125	—	—	—	—	—	—	—	—	—	—	—	—	—	—	—	—	—	—		
H325R	E5	—	—	—	—	50	—	—	125	—	—	—	—	—	—	—	—	—	—	—	—	—	—	—	—	—	—		
H265	E4	—	—	—	—	50 ¹	—	—	125 ¹	—	—	100 ¹	—	—	250 ¹	—	—	—	—	—	—	—	—	—	—	—	—	—	
H265AWK	E5	—	—	—	—	50 ¹	—	—	125 ¹	—	—	100 ¹	—	—	250 ¹	—	—	—	—	—	—	—	—	—	—	—	—	—	
H265DS	E5	—	—	—	—	50 ¹	—	—	125 ¹	—	—	100 ¹	—	—	250 ¹	—	—	—	—	—	—	—	—	—	—	—	—	—	
H265R	E5	—	—	—	—	50 ¹	—	—	125 ¹	—	—	100 ¹	—	—	250 ¹	—	—	—	—	—	—	—	—	—	—	—	—	—	
H365	E4	—	—	—	—	50	—	—	125	—	—	100	—	—	250	—	—	125	—	—	350	—	—	—	—	—	—	—	
H365AWK	E5	—	—	—	—	50	—	—	125	—	—	100	—	—	250	—	—	125	—	—	350	—	—	—	—	—	—	—	
H365DS	E5	—	—	—	—	50	—	—	125	—	—	100	—	—	250	—	—	125	—	—	350	—	—	—	—	—	—	—	
H365N	E4	—	—	—	—	50	—	—	125	—	—	100	—	—	250	—	—	125	—	—	350	—	—	—	—	—	—	—	
H365NAWK	E5	—	—	—	—	50	—	—	125	—	—	100	—	—	250	—	—	125	—	—	350	—	—	—	—	—	—	—	
H365NDS	E5	—	—	—	—	50	—	—	125	—	—	100	—	—	250	—	—	125	—	—	350	—	—	—	—	—	—	—	
H365NR	E5	—	—	—	—	50	—	—	125	—	—	100	—	—	250	—	—	125	—	—	350	—	—	—	—	—	—	—	
H365R	E5	—	—	—	—	50	—	—	125	—	—	100	—	—	250	—	—	125	—	—	350	—	—	—	—	—	—	—	
H365SS	E5	—	—	—	—	50	—	—	125	—	—	100	—	—	250	—	—	125	—	—	350	—	—	—	—	—	—	—	
H465	E4	—	—	—	—	50	—	—	125	—	—	100	—	—	250	—	—	125	—	—	350	—	—	—	—	—	—	—	
H465AWK	E5	—	—	—	—	50	—	—	125	—	—	100	—	—	250	—	—	125	—	—	350	—	—	—	—	—	—	—	
HU265	E4	—	—	—	—	—	—	—	125 ¹	—	—	—	—	—	250 ¹	—	—	—	—	—	—	—	—	—	—	—	—	—	
HU265AWK	E5	—	—	—	—	—	—	—	125 ¹	—	—	—	—	—	250 ¹	—	—	—	—	—	—	—	—	—	—	—	—	—	
HU265DS	E5	—	—	—	—	—	—	—	125 ¹	—	—	—	—	—	250 ¹	—	—	—	—	—	—	—	—	—	—	—	—	—	
HU265R	E5	—	—	—	—	—	—	—	125 ¹	—	—	—	—	—	250 ¹	—	—	—	—	—	—	—	—	—	—	—	—	—	
HU365	E4	—	—	—	—	—	—	—	125	—	—	—	—	—	250	—	—	—	—	—	350	—	—	—	—	—	—	—	
HU365AWK	E5	—	—	—	—	—	—	—	125	—	—	—	—	—	250	—	—	—	—	—	350	—	—	—	—	—	—	—	
HU365DS	E5	—	—	—	—	—	—	—	125	—	—	—	—	—	250	—	—	—	—	—	350	—	—	—	—	—	—	—	
HU365R	E5	—	—	—	—	—	—	—	125	—	—	—	—	—	250	—	—	—	—	—	350	—	—	—	—	—	—	—	
HU365SS	E5	—	—	—	—	—	—	—	125	—	—	—	—	—	250	—	—	—	—	—	350	—	—	—	—	—	—	—	
HU465	E4	—	—	—	—	—	—	—	125	—	—	—	—	—	250	—	—	—	—	—	—	—	—	—	—	—	—	—	
HU465AWK	E5	—	—	—	—	—	—	—	125	—	—	—	—	—	250	—	—	—	—	—	350	—	—	—	—	—	—	—	

¹ For corner grounded only, install neutral and use switching poles for ungrounded conductors.

Enclosed Safety Switches

General Information

Table 51: 600 A Horsepower Rating

Catalog Number	Series	120 V ac		240 V ac						480 V ac						600 V ac						V dc					
		Std		Max		Std			Max			Std			Max			Std			Max						
		1Ø	1Ø	1Ø	2Ø	3Ø	1Ø	2Ø	3Ø	1Ø	2Ø	3Ø	1Ø	2Ø	3Ø	1Ø	2Ø	3Ø	1Ø	2Ø	3Ø	125	250	600	125	250	600
H226	E4	—	—	—	—	75 ¹	—	—	200 ¹	—	—	—	—	—	—	—	—	—	—	—	—	—	—	—	—	—	—
H226AWK	E5	—	—	—	—	75 ¹	—	—	200 ¹	—	—	—	—	—	—	—	—	—	—	—	—	—	—	—	—	—	—
H226DS	E5	—	—	—	—	75 ¹	—	—	200 ¹	—	—	—	—	—	—	—	—	—	—	—	—	—	—	—	—	—	—
H226N	E4	—	—	—	—	75	—	—	200	—	—	—	—	—	—	—	—	—	—	—	—	—	—	—	—	—	—
H226NAWK	E5	—	—	—	—	75	—	—	200	—	—	—	—	—	—	—	—	—	—	—	—	—	—	—	—	—	—
H226NDS	E5	—	—	—	—	75	—	—	200	—	—	—	—	—	—	—	—	—	—	—	—	—	—	—	—	—	—
H226NR	E5	—	—	—	—	75	—	—	200	—	—	—	—	—	—	—	—	—	—	—	—	—	—	—	—	—	—
H226R	E5	—	—	—	—	75 ¹	—	—	200 ¹	—	—	—	—	—	—	—	—	—	—	—	—	—	—	—	—	—	—
H326	E4	—	—	—	—	75 ¹	—	—	200 ¹	—	—	—	—	—	—	—	—	—	—	—	—	—	—	—	—	—	—
H326AWK	E5	—	—	—	—	75 ¹	—	—	200 ¹	—	—	—	—	—	—	—	—	—	—	—	—	—	—	—	—	—	—
H326DS	E5	—	—	—	—	75 ¹	—	—	200 ¹	—	—	—	—	—	—	—	—	—	—	—	—	—	—	—	—	—	—
H326N	E4	—	—	—	—	75	—	—	200	—	—	—	—	—	—	—	—	—	—	—	—	—	—	—	—	—	—
H326NAWK	E5	—	—	—	—	75	—	—	200	—	—	—	—	—	—	—	—	—	—	—	—	—	—	—	—	—	—
H326NDS	E5	—	—	—	—	75	—	—	200	—	—	—	—	—	—	—	—	—	—	—	—	—	—	—	—	—	—
H326NR	E5	—	—	—	—	75	—	—	200	—	—	—	—	—	—	—	—	—	—	—	—	—	—	—	—	—	—
H326R	E5	—	—	—	—	75 ¹	—	—	200 ¹	—	—	—	—	—	—	—	—	—	—	—	—	—	—	—	—	—	—
H266	E4	—	—	—	—	75 ¹	—	—	200 ¹	—	—	150 ¹	—	—	—	—	—	—	—	—	—	—	—	—	—	—	—
H266AWK	E5	—	—	—	—	75 ¹	—	—	200 ¹	—	—	150 ¹	—	—	—	—	—	—	—	—	—	—	—	—	—	—	—
H266DS	E5	—	—	—	—	75 ¹	—	—	200 ¹	—	—	150 ¹	—	—	—	—	—	—	—	—	—	—	—	—	—	—	—
H266R	E5	—	—	—	—	75 ¹	—	—	200 ¹	—	—	150 ¹	—	—	—	—	—	—	—	—	—	—	—	—	—	—	—
H366	E4	—	—	—	—	75	—	—	200	—	—	150	—	—	—	—	—	—	—	—	—	—	—	—	—	—	—
H366AWK	E5	—	—	—	—	75	—	—	200	—	—	150	—	—	—	—	—	—	—	—	—	—	—	—	—	—	—
H366DS	E5	—	—	—	—	75	—	—	200	—	—	150	—	—	—	—	—	—	—	—	—	—	—	—	—	—	—
H366N	E4	—	—	—	—	75	—	—	200	—	—	150	—	—	—	—	—	—	—	—	—	—	—	—	—	—	—
H366NAWK	E5	—	—	—	—	75	—	—	200	—	—	150	—	—	—	—	—	—	—	—	—	—	—	—	—	—	—
H366NDS	E5	—	—	—	—	75	—	—	200	—	—	150	—	—	—	—	—	—	—	—	—	—	—	—	—	—	—
H366NR	E5	—	—	—	—	75	—	—	200	—	—	150	—	—	—	—	—	—	—	—	—	—	—	—	—	—	—
H366R	E5	—	—	—	—	75	—	—	200	—	—	150	—	—	—	—	—	—	—	—	—	—	—	—	—	—	—
H366SS	E5	—	—	—	—	75	—	—	200	—	—	150	—	—	—	—	—	—	—	—	—	—	—	—	—	—	—
H466	E4	—	—	—	—	75	—	—	200	—	—	150	—	—	—	—	—	—	—	—	—	—	—	—	—	—	—
HU266	E4	—	—	—	—	—	—	—	200 ¹	—	—	—	—	—	—	—	—	—	—	—	—	—	—	—	—	—	—
HU266AWK	E5	—	—	—	—	—	—	—	200 ¹	—	—	—	—	—	—	—	—	—	—	—	—	—	—	—	—	—	—
HU266DS	E5	—	—	—	—	—	—	—	200 ¹	—	—	—	—	—	—	—	—	—	—	—	—	—	—	—	—	—	—
HU266R	E5	—	—	—	—	—	—	—	200 ¹	—	—	—	—	—	—	—	—	—	—	—	—	—	—	—	—	—	—
HU366	E4	—	—	—	—	—	—	—	200	—	—	—	—	—	—	—	—	—	—	—	—	—	—	—	—	—	—
HU366AWK	E5	—	—	—	—	—	—	—	200	—	—	—	—	—	—	—	—	—	—	—	—	—	—	—	—	—	—
HU366DS	E5	—	—	—	—	—	—	—	200	—	—	—	—	—	—	—	—	—	—	—	—	—	—	—	—	—	—
HU366R	E5	—	—	—	—	—	—	—	200	—	—	—	—	—	—	—	—	—	—	—	—	—	—	—	—	—	—
HU366SS	E5	—	—	—	—	—	—	—	200	—	—	—	—	—	—	—	—	—	—	—	—	—	—	—	—	—	—
HU466	E4	—	—	—	—	—	—	—	200	—	—	—	—	—	—	—	—	—	—	—	—	—	—	—	—	—	—

¹ For corner grounded only, install neutral and use switching poles for ungrounded conductors.

Enclosed Safety Switches

General Information

Table 54: Horsepower Rating Specialty Switches

Catalog Number	Series	120 V ac		240 V ac				480 V ac				600 V ac				V dc		
		Std	Max	Std		Max		Std		Max		Std		Max		Max. hp Ratings		
		1Ø	1Ø	1Ø	3Ø	1Ø	3Ø	1Ø	3Ø	1Ø	3Ø	1Ø	3Ø	1Ø	3Ø	125	250	600
Fiberglass Reinforced Polyester Enclosures—Type 4X																		
H361DF	F1	—	—	1.5 ¹	3 ²	3 ¹	7.5 ²	3 ¹	5 ²	7.5 ¹	15 ²	—	7.5	—	15	—	5 ⁶	15 ⁷
H362DF	F1	—	—	3 ¹	7.5 ²	10 ¹	15 ²	5 ¹	15 ²	20 ¹	30 ²	—	15	—	50	—	30 ⁷	25
H363DF	F1	—	—	7.5 ¹	15 ²	15 ¹	30 ²	10 ¹	25 ²	30 ¹	60 ²	—	30	—	75	—	20 ⁶	50 ⁹
H364DF	E1	—	—	—	25	—	60	—	50	—	125	—	60	—	150	—	40	50
HU361DF	F1	—	3 ¹	—	—	3 ¹	7.5 ²	—	—	10 ¹	20 ²	—	—	—	30	3	10	15
HU362DF	F1	—	5 ¹	—	—	10 ¹	20 ^{2 3}	—	—	25 ¹	50 ^{2 4}	—	—	—	60	5	10	30
HU363DF	E1	—	7.5	—	—	20 ¹	30	—	—	40 ¹	75 ^{2 5}	—	—	—	75	7.5	20	50
HU364DF	E1	—	—	—	—	—	60	—	—	—	125	—	—	—	150	—	40	—
Krydon Enclosures																		
H361DX	F1	—	—	1.5 ¹	3 ²	3 ¹	7.5 ²	3 ¹	5 ²	7.5 ¹	15 ²	—	7.5	—	20	—	5 ⁶	15 ⁷
H362DX	F1	—	—	3 ¹	7.5 ²	10 ¹	15 ²	5 ¹	15 ²	20 ¹	30 ²	—	15	—	50	—	10 ⁶	30 ⁸
H363DX	F1	—	—	7.5 ¹	15 ²	15 ¹	30 ²	10 ¹	25 ²	30 ¹	60 ²	—	30	—	75	—	20 ⁶	50 ⁹
HU361DX	F1	—	3	—	—	5 ¹	10 ²	—	—	10 ¹	20 ²	—	—	—	30	3	10	15
HU362DX	F1	—	5	—	—	10 ¹	20 ^{2 3}	—	—	25 ¹	50 ²	—	—	—	60	5	10	30
HU363DX	F1	—	7.5	—	—	20 ¹	30 ²	—	—	40 ¹	75 ^{2 5}	—	—	—	75	7.5	20	50
Type 7/9 Enclosures																		
H60XFA	E1	—	—	—	—	—	15	—	—	—	30	—	—	—	50	—	—	—
H60XFA1212	E1	—	—	—	—	—	15	—	—	—	30	—	—	—	50	—	—	—
H100XFA	E1	—	—	—	—	—	30	—	—	—	60	—	—	—	75	—	—	—
H100XFA1212	E1	—	—	—	—	—	30	—	—	—	60	—	—	—	75	—	—	—
H225XJG	A1	—	—	—	—	—	60	—	—	—	125	—	—	—	150	—	—	—
H225XJGAA	A1	—	—	—	—	—	60	—	—	—	125	—	—	—	150	—	—	—

- ¹ Use outer switching poles.
- ² For corner grounded only, install neutral and use switching poles for ungrounded conductors.
- ³ 15 hp rating on corner grounded delta system.
- ⁴ 30 hp rating on corner grounded delta system.
- ⁵ 60 hp rating on corner grounded delta system.
- ⁶ Standard hp rating.
- ⁷ Standard hp rating: 10 hp.
- ⁸ 25 hp rating on corner grounded delta system.
- ⁹ Standard hp rating: 40 hp.

Enclosed Safety Switches General Information

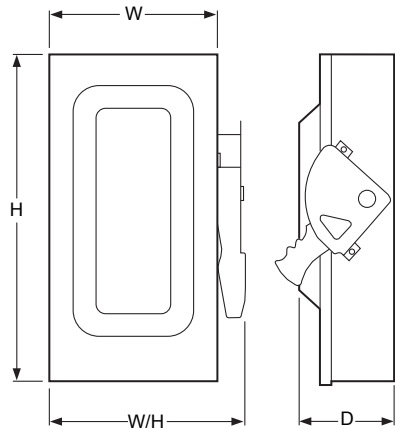
Table 55: Horsepower Rating Receptacle Switches

Catalog Number	Series	120 V ac		240 V ac				480 V ac				600 V ac				V dc		
		Std.	Max.	Std.		Max.		Std.		Max.		Std.		Max.		Max. hp Ratings		
		1Ø	1Ø	1Ø	3Ø	1Ø	3Ø	1Ø	3Ø	1Ø	3Ø	1Ø	3Ø	1Ø	3Ø	125	250	600
H361AWA	F7	—	—	—	—	—	—	—	5	—	15	—	7.5	—	20	—	5 ^{1 2}	—
H361DSWA	F7	—	—	—	—	—	—	—	5	—	15	—	7.5	—	20	—	5 ^{1 2}	—
H361WA	F6	—	—	—	—	—	—	—	5	—	15	—	7.5	—	20	—	5 ^{1 2}	—
HU361AWA	F7	—	—	—	—	—	—	—	—	—	20	—	—	—	30	—	5 ¹	—
HU361DSWA	F7	—	—	—	—	—	—	—	—	—	20	—	—	—	30	—	5 ¹	—
HU361WA	F6	—	—	—	—	—	—	—	—	—	20	—	—	—	30	—	5 ¹	—
H361AWC	F7	—	—	—	—	—	—	—	5	—	15	—	7.5	—	20	—	5 ^{1 2}	—
H361DSWC	F7	—	—	—	—	—	—	—	5	—	15	—	7.5	—	20	—	5 ^{1 2}	—
H361WC	F6	—	—	—	—	—	—	—	5	—	15	—	7.5	—	20	—	5 ^{1 2}	—
HU361AWC	F7	—	—	—	—	—	—	—	—	—	20	—	—	—	30	—	5 ¹	—
HU361DSWC	F7	—	—	—	—	—	—	—	—	—	20	—	—	—	30	—	5 ¹	—
HU361WC	F6	—	—	—	—	—	—	—	—	—	20	—	—	—	30	—	5 ¹	—
H362AWA	F7	—	—	—	7.5	—	15	—	15	—	30	—	15	—	50	—	10 ^{1 2}	—
H362DSWA	F7	—	—	—	7.5	—	15	—	15	—	30	—	15	—	50	—	10 ^{1 2}	—
H362WA	F6	—	—	—	7.5	—	15	—	15	—	30	—	15	—	50	—	10 ^{1 2}	—
HU362AWA	F7	—	5	—	—	10 ¹	20	—	—	25 ¹	50	—	—	30 ¹	60	—	10 ¹	—
HU362DSWA	F7	—	5	—	—	10 ¹	20	—	—	25 ¹	50	—	—	30 ¹	60	—	10 ¹	—
HU362WA	F6	—	5	—	—	10 ¹	20	—	—	25 ¹	50	—	—	30 ¹	60	—	10 ¹	—
H362AWC	F7	—	—	—	7.5	—	15	—	15	—	30	—	15	—	50	—	10 ^{1 2}	—
H362DSWC	F7	—	—	—	7.5	—	15	—	15	—	30	—	15	—	50	—	10 ^{1 2}	—
H362WC	F6	—	—	—	7.5	—	15	—	15	—	30	—	15	—	50	—	10 ^{1 2}	—
HU362AWC	F7	—	5	—	—	10 ¹	20	—	—	25 ¹	50	—	—	30 ¹	60	—	10 ¹	—
HU362DSWC	F7	—	5	—	—	10 ¹	20	—	—	25 ¹	50	—	—	30 ¹	60	—	10 ¹	—
HU362WC	F6	—	5	—	—	10 ¹	20	—	—	25 ¹	50	—	—	30 ¹	60	—	10 ¹	—
H362AWH	F6	—	—	—	7.5	—	15	—	15	—	30	—	15	—	50	—	—	—
H362WH	F5	—	—	—	7.5	—	15	—	15	—	30	—	15	—	50	—	—	—
HU362AWH	F6	—	5	—	—	10 ¹	20	—	—	25 ¹	50	—	—	30 ¹	60	—	—	—
HU362WH	F5	—	5	—	—	10 ¹	20	—	—	25 ¹	50	—	—	30 ¹	60	—	—	—
H363AWA	F7	—	—	—	15	—	30	—	25	—	60	—	30	—	75	—	20 ^{1 2}	—
H363DSWA	F7	—	—	—	15	—	30	—	25	—	60	—	30	—	75	—	20 ^{1 2}	—
H363WA	F6	—	—	—	15	—	30	—	25	—	60	—	30	—	75	—	20 ^{1 2}	—
HU363AWA	F7	—	—	—	—	—	—	—	—	—	75	—	—	—	100	—	20 ¹	—
HU363DSWA	F7	—	—	—	—	—	—	—	—	—	75	—	—	—	100	—	20 ¹	—
HU363WA	F6	—	—	—	—	—	—	—	—	—	75	—	—	—	100	—	20 ¹	—
H363AWC	F7	—	—	—	15	—	30	—	25	—	60	—	30	—	75	—	20 ^{1 2}	—
H363DSWC	F7	—	—	—	15	—	30	—	25	—	60	—	30	—	75	—	20 ^{1 2}	—
H363WC	F6	—	—	—	15	—	30	—	25	—	60	—	30	—	75	—	20 ^{1 2}	—
HU363AWC	F7	—	—	—	—	20 ¹	40	—	—	40 ¹	60	—	—	40 ¹	100	7.5 ¹	20 ¹	—
HU363DSWC	F7	—	—	—	—	20 ¹	40	—	—	40 ¹	60	—	—	40 ¹	100	7.5 ¹	20 ¹	—
HU363WC	F6	—	—	—	—	20 ¹	40	—	—	40 ¹	60	—	—	40 ¹	100	7.5 ¹	20 ¹	—

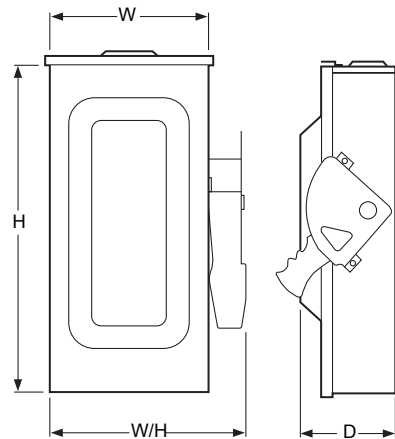
¹ Use both outer switching poles.

² Standard hp rating.

Enclosed Safety Switches General Information



Typical Type 1



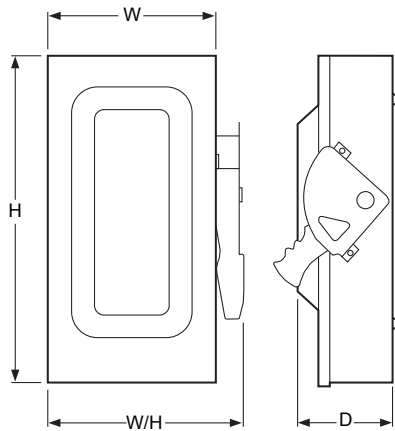
Typical Type 3R

Table 56: Dimensions

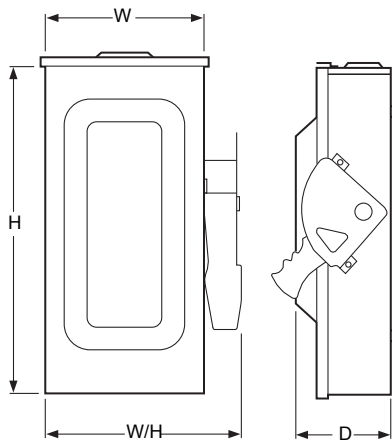
Catalog Number	Series	Approximate Dimensions							
		H		W		W/H		D	
		in.	mm	in.	mm	in.	mm	in.	mm
H221N	F5	14.60	371	6.50	165	7.55	192	4.88	124
H221NRB		14.88	378	6.63	168	7.55	192	4.88	124
H222N		14.60	371	6.50	165	7.55	192	4.88	124
H222NRB		14.88	378	6.63	168	7.55	192	4.88	124
H223N	F5	21.25	540	8.50	216	10.50	267	6.38	162
H223NRB		21.25	540	8.50	216	10.50	267	6.38	162
H224N		29.00	737	17.13	435	18.50	470	8.25	210
H224NRB		29.25	743	17.25	438	18.63	473	8.50	216
H225, N	E4	50.25	1276	27.63	702	27.63	702	10.13	257
H225NR, R		50.31	1278	27.88	708	27.88	708	10.13	257
H226, N		50.25	1276	27.63	702	27.63	702	10.13	257
H226NR, R		50.31	1278	27.88	708	27.88	708	10.13	257
H227, N	E4	69.13	1756	36.62	930	36.62	930	17.75	451
H227NR, R		69.13	1756	36.62	930	36.62	930	17.75	451
H228, N		69.13	1756	36.62	930	36.62	930	17.75	451
H228NR, R		69.13	1756	36.62	930	36.62	930	17.75	451
H265	E4	50.25	1276	27.63	702	27.63	702	10.13	257
H265R		50.31	1278	27.88	708	27.88	708	10.13	257
H266		50.25	1276	27.63	702	27.63	702	10.13	257
H266R		50.31	1278	27.88	708	27.88	708	10.13	257
H267	E4	69.13	1756	36.62	930	36.62	930	17.75	451
H267R		69.13	1756	36.62	930	36.62	930	17.75	451
H268		69.13	1756	36.62	930	36.62	930	17.75	451
H268R		69.13	1756	36.62	930	36.62	930	17.75	451
H321N	F5	14.60	371	6.50	165	7.55	192	4.88	124
H321NRB		14.88	378	6.63	168	7.55	192	4.88	124
H322N		14.60	371	6.50	165	7.55	192	4.88	124
H322NRB		14.88	378	6.63	168	7.55	192	4.88	124
H323N	F5	21.25	540	8.50	216	10.50	267	6.38	162
H323NRB		21.25	540	8.50	216	10.50	267	6.38	162
H324N		29.00	737	17.13	435	18.50	470	8.25	210
H324NRB		29.25	743	17.25	438	18.63	473	8.50	216
H325, N	E4	50.25	1276	27.63	702	27.63	702	10.13	257
H325R, NR		50.31	1278	27.88	708	27.88	708	10.13	257
H326, N		50.25	1276	27.63	702	27.63	702	10.13	257
H326R, NR		50.31	1278	27.88	708	27.88	708	10.13	257
H327, N	E4	69.13	1756	36.62	930	36.62	930	17.75	451
H327R, NR		69.13	1756	36.62	930	36.62	930	17.75	451
H328, N		69.13	1756	36.62	930	36.62	930	17.75	451
H328R, NR		69.13	1756	36.62	930	36.62	930	17.75	451
H361, N	F5	14.60	371	6.50	165	7.55	192	4.88	124
H361-2		17.50	445	9.00	229	10.50	267	6.38	162
H361NRB, RB		14.88	378	6.63	168	7.55	192	4.88	124
H361WA	F6	18.19	462	9.00	229	10.50	267	6.81	173
H361WC		18.19	462	9.00	229	10.50	267	6.81	173
H362, N	F5	17.50	445	9.00	229	10.50	267	6.38	162
H362NRB, RB		17.50	445	9.00	229	10.50	267	6.38	162
H362WA	F6	18.19	462	9.00	229	10.50	267	6.81	173
H362WC		16.75	425	9.00	229	10.50	267	7.00	178
H362WH	F5	18.19	462	9.00	229	10.50	267	6.81	173
H363, N		21.25	540	8.50	216	10.50	267	6.38	162
H363NRB, RB		21.25	540	8.50	216	10.50	267	6.38	162
H363WA	F6	21.85	462	9.00	229	10.50	267	6.81	173
H363WC		21.85	555	9.00	229	10.50	267	6.81	173

Enclosed Safety Switches General Information

Table 56: Dimensions



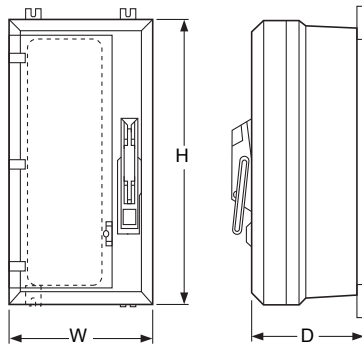
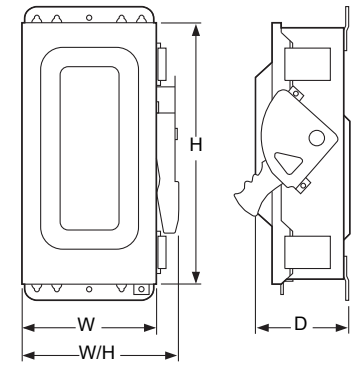
Typical Type 1



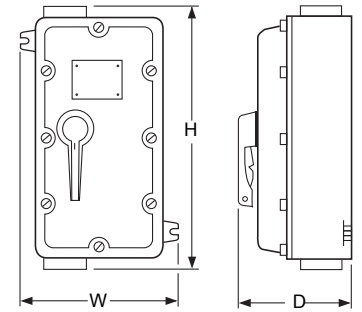
Typical Type 3R

Catalog Number	Series	Approximate Dimensions							
		H		W		W/H		D	
		in.	mm	in.	mm	in.	mm	in.	mm
H364 H364N H364NRB H364RB	F5	29.00 29.00 29.25 29.25	737 737 743 743	17.13 17.13 17.25 17.25	435 435 438 438	18.50 18.50 18.63 18.63	470 470 473 473	8.25 8.25 8.50 8.50	210 210 216 216
H365, N H365R, NR H366, N H366NR, R	E4	50.25 50.31 50.25 50.31	1276 1278 1276 1278	27.63 27.88 27.63 27.88	702 708 702 708	27.63 27.88 27.63 27.88	702 708 702 708	10.13 10.13 10.13 10.13	257 257 257 257
H367, N H367NR, R H368, N H368NR, R	E4	69.13 69.13 69.13 69.13	1756 1756 1756 1756	36.62 36.62 36.62 36.62	930 930 930 930	36.62 36.62 36.62 36.62	930 930 930 930	17.75 17.75 17.75 17.75	451 451 451 451
H461 H462 H463 H464	F5	20.50 20.50 20.50 29.00	521 521 521 737	14.75 14.75 14.75 23.25	375 375 375 591	16.13 16.13 16.13 24.88	410 410 410 632	17.75 17.75 17.75 8.75	451 451 451 222
H465 H466 HU265 HU265R	E4	50.25 50.31 50.25 50.31	1276 1278 1276 1278	33.88 27.88 27.63 27.88	861 708 702 708	33.88 27.88 27.63 27.88	861 708 702 708	10.13 10.13 10.13 10.13	257 257 257 257
HU266 HU266R HU267 HU267R	E4	50.25 50.31 69.13 69.13	1276 1278 1756 1756	27.63 27.88 36.62 36.62	702 708 930 930	27.63 27.88 36.62 36.62	702 708 930 930	10.13 10.13 17.75 17.75	257 257 451 451
HU268 HU268R HU361 H361RB	E4 F5	69.13 69.13 14.60 14.88	1756 1756 371 378	36.62 36.62 6.50 6.63	930 930 165 168	36.62 36.62 7.55 7.55	930 930 192 192	17.75 17.75 4.88 4.88	451 451 124 124
HU362 HU362RB HU362WH HU363	F5	17.75 21.25 21.25 21.25	445 540 540 540	9.00 8.50 8.50 8.50	229 216 216 216	10.50 10.50 10.50 10.50	267 267 267 267	6.38 6.38 6.38 6.38	162 162 162 162
HU363RB HU364 HU364RB	F5	21.25 29.00 29.25	540 737 743	8.50 17.13 17.25	216 435 438	10.50 18.50 18.63	267 470 473	6.38 8.25 8.50	162 210 216
HU365 HU365R HU366 HU366R HU367	E4	50.25 50.31 50.25 50.31 69.13	1276 1278 1276 1278 1756	27.63 27.88 27.63 27.88 36.62	702 708 702 708 930	27.63 27.88 27.63 27.88 36.62	702 708 702 708 930	10.13 10.13 10.13 10.13 17.75	257 257 257 257 451
HU367R HU368 HU368R	F5	69.13 69.13 69.13	1756 1756 1756	36.62 36.62 36.62	930 930 930	36.62 36.62 36.62	930 930 930	17.75 17.75 17.75	451 451 451
HU461 HU462	F6	20.50 20.50	521 521	14.75 14.75	375 375	16.13 16.13	410 410	6.85 6.85	174 174
HU463 HU464	F5	20.50 29.00	521 737	14.75 23.25	375 591	16.13 24.88	410 632	6.85 8.75	174 222
HU465 HU466	E4	50.25 50.25	1276 1276	33.88 33.88	861 861	33.88 33.88	861 861	10.13 10.13	257 257

Enclosed Safety Switches General Information



Typical Type 4X Fiberglass Reinforced Polyester and Krydon



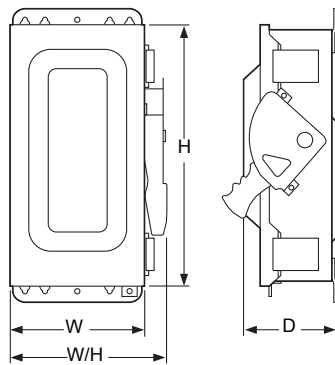
Typical Type 7/9

Table 56: Dimensions

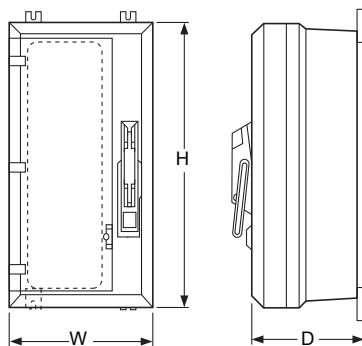
Catalog Number	Series	Approximate Dimensions							
		H		W		W/H		D	
		in.	mm	in.	mm	in.	mm	in.	mm
H461AWK H461DS H462AWK H462DS	F6	20.50 20.82 20.50 20.82	521 529 521 529	14.75 15.08 14.75 15.08	375 383 375 383	6.80 6.80 6.13 6.80	173 173 156 173	6.96 6.96 6.96 6.96	177 177 177 177
H221AWK, A H221DS H221-2AWK	F6	14.60 14.93 16.50	371 379 419	6.63 7.22 9.00	168 183 229	7.55 8.67 10.50	192 220 267	4.96 5.11 7.00	125 130 178
H222AWK, A H222DS H223AWK, A H223DS	F6	14.60 14.93 20.50 20.82	371 379 521 529	6.63 7.22 9.00 9.36	168 183 229 238	7.55 8.67 10.50 11.25	192 220 267 286	4.96 5.11 7.00 6.97	125 130 178 177
H224AWK, A H224DS	F6	29.00 29.00	737 737	17.25 17.75	438 451	18.63 19.25	473 489	8.75 8.88	216 226
H225AWK, DS H225NAWK, NDS	E4	46.25 46.25	1175 1175	26.25 26.25	667 667	26.25 26.25	667 667	10.13 10.13	259 259
H225XKA	C2	22.56	573	10.88	276	10.88	276	7.75	197
H226AWK, DS H226NAWK, NDS H227AWK, NAWK H228AWK, NAWK	E4	46.25 46.25 69.13 69.13	1175 1175 1756 1756	26.25 26.25 36.62 36.62	667 667 930 930	26.25 26.25 36.62 36.62	667 667 930 930	10.13 10.13 17.75 17.75	259 259 451 451
H265AWK, DS H266AWK, A, DS H267AWK, NAWK H268AWK, NAWK	E4	46.25 46.25 69.13 69.13	1175 1175 1756 1756	26.25 26.25 36.62 36.62	667 667 930 930	26.25 26.25 36.62 36.62	667 667 930 930	10.13 10.13 17.75 17.75	259 259 451 451
H321AWK, A H321DS H322AWK, A H322DS	F6	14.60 14.93 14.60 14.93	1756 379 371 379	6.63 7.22 6.63 7.22	168 183 168 183	7.55 8.67 7.55 8.67	192 220 192 220	4.96 5.11 4.96 5.11	125 130 125 130
H323AWK, A H323DS	F6	20.50 20.82	521 529	9.00 9.36	229 238	10.50 11.25	267 286	7.00 6.97	178 177
H324AWK, A, DS H325AWK, DS H325NAWK, NDS	E4	29.00 46.25 46.25	737 1175 1175	17.25 26.25 26.25	438 667 667	18.63 26.25 26.25	473 667 667	8.75 10.13 10.13	216 259 259
H326AWK, DS H326NAWK, NDS H327AWK, NAWK H328AWK, NAWK	E4	46.25 46.25 69.13 69.13	1175 1175 1756 1756	26.25 26.25 36.62 36.62	667 667 930 930	26.25 26.25 36.62 36.62	667 667 930 930	10.13 10.13 17.75 17.75	259 259 451 451
H361AWA H361AWC	F7	16.50 16.50	419 419	9.00 9.00	229 229	10.50 10.50	267 267	7.00 7.00	178 178
H361AWK, A, DS	F6	14.60	371	6.63	168	7.55	192	4.96	125
H361DF H361DX	F1	16.50 19.40	419 493	11.00 11.40	279 290	11.00 11.40	279 290	8.80 8.60	224 218
H361-2AWK, A	F6	16.50	419	9.00	229	10.50	267	7.00	178
H362AWK, A H362DS H362AWA H362AWC	F7	16.50 16.87 16.50 16.50	419 428 419 419	9.00 8.92 9.00 9.00	229 227 229 229	10.50 10.81 10.50 10.50	267 275 267 267	7.00 6.97 7.00 7.00	178 177 178 178
H362AWH	F6	16.50	419	9.00	229	10.50	267	7.00	178
H364, N H364RB, NRB	F5	29.00 29.25	737 743	17.13 17.25	436 438	18.50 18.63	470 473	10.13 8.50	257 216
H365, N H365R, NR H366, N H366NR, R	E4	50.25 50.31 50.25 50.31	1276 1278 1276 1278	27.63 27.88 27.63 27.88	702 708 702 708	27.63 27.88 27.63 27.88	702 708 702 708	10.13 10.13 10.13 10.13	257 257 257 257
H367, N H367NR, R H368, N H368NR, R	E4	69.13 69.13 69.13 69.13	1756 1756 1756 1756	36.62 36.62 36.62 36.62	930 930 930 930	36.62 36.62 36.62 36.62	930 930 930 930	17.75 17.75 17.75 17.75	451 451 451 451

Enclosed Safety Switches General Information

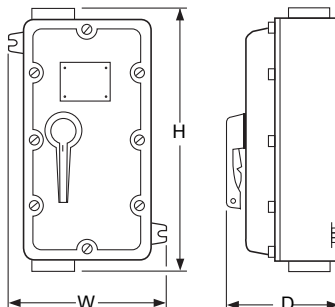
Table 56: Dimensions



Typical Type 4/4X/5/12/12K



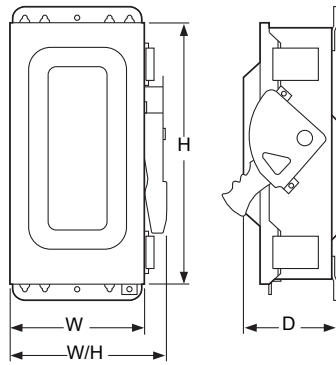
**Typical Type 4X Fiberglass
Reinforced Polyester and Krydron**



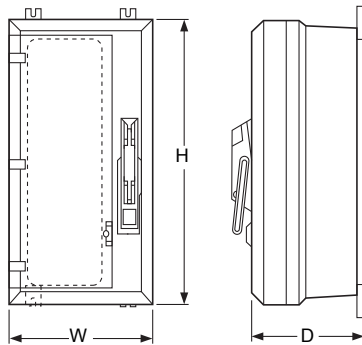
Typical Type 7/9

Catalog Number	Series	Approximate Dimensions							
		H		W		W/H		D	
		in.	mm	in.	mm	in.	mm	in.	mm
H60XFA H100XFA	E1	15.93	405	9.87	251	9.87	251	6.96	177
H221AWK, A H221DS H221-2AWK	F6	14.60 14.93 16.50	371 379 419	6.63 7.22 9.00	168 183 229	7.55 8.67 10.50	192 220 267	4.96 5.11 7.00	125 130 178
H222AWK, A H222DS H223AWK, A H223DS	F6	14.60 14.93 20.50 20.82	371 379 521 529	6.63 7.22 9.00 9.36	168 183 229 238	7.55 8.67 10.50 11.25	192 220 267 286	4.96 5.11 7.00 6.97	125 130 178 177
H224AWK, A H224DS	F6	29.00 29.00	737 737	17.25 17.75	438 451	18.63 19.25	473 489	8.75 8.88	216 226
H225AWK, DS H225NAWK, NDS	E4	46.25 46.25	1175 1175	26.25 26.25	667 667	26.25 26.25	667 667	10.13 10.13	259 259
H225XKA	C2	22.56	573	10.88	276	10.88	276	7.75	197
H226AWK, DS H226NAWK, NDS H227AWK, NAWK H228AWK, NAWK	E4	46.25 46.25 69.13 69.13	1175 1175 1756 1756	26.25 26.25 36.62 36.62	667 667 930 930	26.25 26.25 36.62 36.62	667 667 930 930	10.13 10.13 17.75 17.75	259 259 451 451
H265AWK, DS H266AWK, A, DS H267AWK, NAWK H268AWK, NAWK	E4	46.25 46.25 69.13 69.13	1175 1175 1756 1756	26.25 26.25 36.62 36.62	667 667 930 930	26.25 26.25 36.62 36.62	667 667 930 930	10.13 10.13 17.75 17.75	259 259 451 451
H321AWK, A H321DS H322AWK, A H322DS	F6	14.60 14.93 14.60 14.93	1756 379 371 379	6.63 7.22 6.63 7.22	168 183 168 183	7.55 8.67 7.55 8.67	192 220 192 220	4.96 5.11 4.96 5.11	125 130 125 130
H323AWK, A H323DS	F6	20.50 20.82	521 529	9.00 9.36	229 238	10.50 11.25	267 286	7.00 6.97	178 177
H324AWK, A, DS H325AWK, DS H325NAWK, NDS	E4	29.00 46.25 46.25	737 1175 1175	17.25 26.25 26.25	438 667 667	18.63 26.25 26.25	473 667 667	8.75 10.13 10.13	216 259 259
H326AWK, DS H326NAWK, NDS H327AWK, NAWK H328AWK, NAWK	E4	46.25 46.25 69.13 69.13	1175 1175 1756 1756	26.25 26.25 36.62 36.62	667 667 930 930	26.25 26.25 36.62 36.62	667 667 930 930	10.13 10.13 17.75 17.75	259 259 451 451
H361AWA H361AWC	F7	16.50 16.50	419 419	9.00 9.00	229 229	10.50 10.50	267 267	7.00 7.00	178 178
H361AWK, A H361DS	F6	14.60 14.93	371 379	6.63 7.22	168 183	7.55 8.67	192 220	4.96 5.11	125 130
H361DF H361DX	F1	16.50 19.40	419 493	11.00 11.40	279 290	11.00 11.40	279 290	8.80 8.60	224 218
H361-2AWK, A H362AWK, A H362DS	F6	16.50 16.50 16.87	419 419 428	9.00 9.00 8.92	229 229 227	10.50 10.50 10.81	267 267 275	7.00 7.00 6.97	178 178 177
H362AWA H362AWC H362AWH	F6	16.50 16.50 16.50	419 419 419	9.00 9.00 9.00	229 229 229	10.50 10.50 10.50	267 267 267	7.00 7.00 7.00	178 178 178
H364, N H364RB, NRB	F5	29.00 29.25	737 743	17.13 17.25	436 438	18.50 18.63	470 473	10.13 8.50	257 216
H365, N H365R, NR H366, N H366R, NR	E4	50.25 50.31 50.25 50.31	1276 1278 1276 1278	27.63 27.88 27.63 27.88	702 708 702 708	27.63 27.88 27.63 27.88	702 708 702 708	10.13 10.13 10.13 10.13	257 257 257 257
H367AWK, NAWK H368AWK, NAWK	E4	69.13 69.13	1756 1756	36.62 36.62	930 930	36.62 36.62	930 930	17.75 17.75	451 451

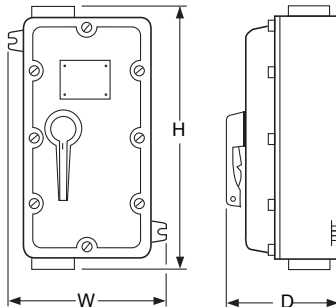
Enclosed Safety Switches General Information



Typical Type 4/ 4X/5/12/12K



Typical Type 4X Fiberglass
Reinforced Polyester and Krydon



Typical Type 7/9

Table 56: Dimensions

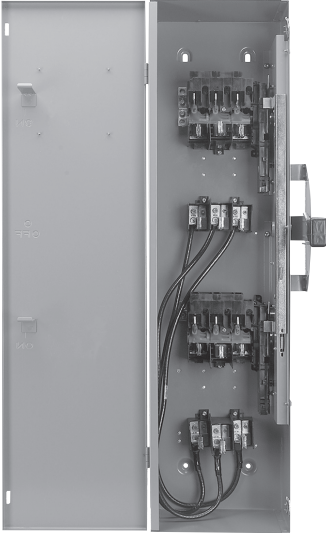
Catalog Number	Series	Approximate Dimensions							
		H		W		W/H		D	
		in.	mm	in.	mm	in.	mm	in.	mm
H461AWK	F6	20.50	521	14.75	375	16.13	410	6.80	173
H462AWK		20.50	521	14.75	375	16.13	410	6.80	173
H462DS		20.82	529	15.08	383	16.85	428	6.97	177
H463AWK		20.50	521	14.75	375	16.13	410	6.80	173
H463DS	F6	20.82	529	15.08	383	16.85	428	6.97	177
H464AWK		29.00	737	23.25	591	24.88	632	8.75	222
H464DS		29.00	737	23.75	603	25.25	641	8.88	226
H465AWK	E4	46.25	1175	32.50	826	32.50	826	10.13	259
H663AWK	F6	20.50	521	14.75	375	16.13	410	6.80	173
H663DS		20.82	529	15.08	383	16.85	428	6.97	177
H664AWK		29.00	737	23.25	591	24.88	632	8.75	222
H664DS		29.00	737	23.75	603	25.25	641	8.88	226
HU265AWK,DS	E4	46.25	1175	26.25	667	26.25	667	10.13	259
HU266AWK, DS		46.25	1175	26.25	667	26.25	667	10.13	259
HU267AWK		69.13	1756	36.62	930	36.62	930	17.75	451
HU268AWK		69.13	1756	36.62	930	36.62	930	17.75	451
HU361AWK, A	F6	14.60	371	6.63	168	7.55	192	4.96	125
HU361DS		14.93	379	7.22	183	8.67	220	5.11	130
HU361DSWA	F7	16.87	428	8.92	227	10.81	275	5.11	130
HU361DSWC		16.87	428	8.92	227	10.79	274	5.11	130
HU361DF	F1	16.50	419	11.00	279	11.00	279	8.80	224
HU361DX		19.40	493	11.40	290	11.40	290	8.60	218
HU362AWH	F6	16.50	419	9.00	229	10.50	267	7.00	178
HU362AWK, A		16.50	419	9.00	229	10.50	267	7.00	178
HU362DS		16.87	428	8.92	227	10.81	265	6.97	177
HU362DSWA	F7	16.87	428	8.92	227	10.81	275	5.11	130
HU362DSWC		16.87	428	8.92	227	10.79	274	5.11	130
HU362DF	F1	16.50	419	11.00	279	11.00	279	8.80	224
HU362DX		19.40	493	11.40	290	11.40	290	8.60	218
HU363AWA	F7	20.50	521	9.00	229	10.50	267	7.00	178
HU363AWC		20.50	521	9.00	229	10.50	267	7.00	178
HU363AWK, A	F6	20.50	521	9.00	229	10.50	267	7.00	178
HU363DS		20.82	529	9.36	238	11.25	286	6.97	177
HU363DF	F1	24.80	630	13.70	348	13.70	348	12.00	305
HU363DX		25.25	641	11.40	290	11.40	290	8.60	218
HU364DF	E1	31.30	795	26.30	668	26.30	668	11.80	300
HU364AWK, A	F6	29.00	737	17.25	438	18.63	473	8.75	216
HU364DS, SS		29.00	737	17.75	451	19.25	489	8.88	226
HU365AWK, DS	E4	46.25	1175	26.25	667	26.25	667	10.13	259
HU366AWK, DS		46.25	1175	26.25	667	26.25	667	10.13	259
HU367AWK		69.13	1756	36.62	930	36.62	930	17.75	451
HU368AWK		69.13	1756	36.62	930	36.62	930	17.75	451
HU461AWK	F6	20.50	521	14.75	375	16.13	410	6.80	173
HU461DS		20.82	529	15.08	383	16.85	428	6.97	177
HU462AWK		20.50	521	14.75	375	16.13	410	6.80	173
HU462DS		20.82	529	15.08	383	16.85	428	6.97	177
HU463AWK	F6	20.50	521	14.75	375	16.13	410	6.80	173
HU463DS		20.82	529	15.08	383	16.85	428	6.97	177
HU464AWK		29.00	737	17.25	438	18.63	473	8.75	216
HU464DS		29.00	737	17.75	451	19.25	489	8.88	226
HU465AWK	E4	46.25	1175	32.50	826	32.50	826	10.13	259
H663AWK	F6	20.50	521	14.75	375	16.13	410	6.80	173
H663DS		20.82	529	15.08	383	16.85	428	6.97	177
H664AWK		29.00	737	23.25	591	24.88	632	8.75	222
H664DS, RWK		29.00	737	23.75	603	25.25	641	8.88	226

**Enclosed Safety Switches
General Information**

DOUBLE THROW SAFETY SWITCHES CONTENTS

Product Description	63
Construction	63
Enclosures	63
Accessories	64
Applications	64
Standards	65
Technical Data	65
Service Grounding Kit	69
Solid Neutral Assembly	69
Electrical Interlocks	70
Class R Fuse Kits	70
Lock-On Provision	71
Dimensions	72

Enclosed Safety Switches Double Throw Safety Switches



30–100 A DT, DTU (Series F)
NEMA 1



82,000 Line
NEMA 1

Double Throw Safety Switches

Product Description

Double throw safety switches are designed to transfer a load from one power source to another power source. 30–100 A F Series switches can be field-converted to transfer a power source from one load to another.

Construction

- Modular-design switch handle, lock -plate, and switch mechanism; line and load bases are available for field replacement
- Meets NEMA hp ratings
- UL Listed short circuit current ratings up to 200 kA (using Class R, J, or T fuses see UL Listed Short Circuit Current Ratings table on page 65)
- UL Listed as suitable for use as service equipment
- Fusible and non-fusible switches available
- May be padlocked in the ON or OFF position
- Padlock provisions in the center OFF position on 82,000, 92,000, DT, and DTU lines
- Padlock provisions in both ON positions on 92,000 line
- Visible blades for positive indication that the switch is OFF
- Electrical interlock and neutral assembly (for two- and three-pole switches) kit is available for field-installation
- Quick-make, quick-break operating mechanism on F Series, 82,000, DT, and DTU lines. Load make/break
- Slow-make, slow-break operating mechanism on 92,000 line. Non-load make/break
- Lugs suitable for aluminum or copper conductors. See page 66 for additional lug data
- Dual cover interlock on DT and DTU F Series and NEMA 1 82,000 line E Series devices, with defeat mechanism
- NEMA 3R top endwalls on 30–200 A switches have bolt-on hub provisions
- Tangential knockouts alleviate the need for conduit offsets or bends
- Type 304 Stainless Steel (NEMA 4, 4X, and 5)

Enclosures

- Indoor general purpose (NEMA 1)
- Outdoor general purpose (NEMA 3R)
- Indoor dusttight, driptight (NEMA 12)
- Indoor, outdoor watertight, dusttight (NEMA 4, 4X, and 5)
- Gray baked enamel finish electrodeposited on clean, phosphatized steel (NEMA 1, 3R, and 12)

Enclosed Safety Switches Double Throw Safety Switches

Accessories



82,000 Line
NEMA 1

- Bolt-on hubs for rainproof applications. Switches with RB suffix accept 3/4 in. (19 mm) through 2-1/2 in. (63 mm) bolt-on hubs. Switches with R suffix have blank endwalls and accept 3 in. (76 mm) through 4 in. (101 mm) bolt-on hubs.
- Equipment grounding kits available for field-installation.
- Field- or factory-installed (depending on series) electrical interlocks (2 N.O./2 N.C. contacts). F Series electrical interlocks are available for field- or factory-installation.
- Factory-installed neutral assembly. DTU devices (E Series only) are supplied with factory-installed insulated, grounded, and bonded neutral assembly.
- Lock-on provisions are standard on DT, DTU (F Series) and 92,000 line switches. Available as an option for factory-installation on DTU (E Series) and 82,000 line switches.

Application

Double throw safety switches are designed for:

- Residential, light commercial, and industrial installations
- Up to 600 V dc and 600 V ac maximum
- Up to 100,000 rms symmetrical amperes
- 30–600 A
- NEMA 1, 3R, 4, 4X, 5, or 12 enclosures

Note: Diagrams 1 and 2 illustrate methods of applying fuses to non-fusible double throw switches when required.

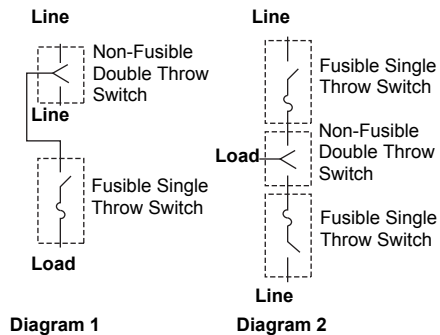


Table 57: UL Listed Short Circuit Current Ratings

Switch Type	Ampere Rating	Voltage Rating	UL Listed Fuse Class	Short Circuit Current Rating ¹ (A)
Type 92000	30 A	240 V	H, K	10,000 ³
Type DT (Series F)	30–100 A	240 V or 600 V	H, K R, J	10,000 200,000
Type DTU ² (Series F)	30–100 A	240 V or 600 V	H or K R, J or T	10,000 ³ 200,000
DTU224NRB and DTU324NRB (Series E)	200 A	240 V	H, K	10,000 ³
DTU324N (Series E)	200 A	240 V	H, K R, J	10,000 ³ 100,000
Type 82,000	all	240 V 600 V	H, K R, J	10,000 ³ 100,000 ⁴ 10,000 ³
Type DTU (A Series)	600 A	240 V or 600 V	H, K R, J, T	10,000 100,000

¹ Rating applies to AC only. The UL Listed short circuit current rating for non-fusible switches is based on the switch being used in conjunction with the corresponding fuse type. Evaluation of non-fusible switches in conjunction with molded case circuit breakers has not been performed above 100 A.

² The DTU361 and DTU361RB are also suitable for use on a circuit capable of delivering not more than (A) 18 kA, 600 V ac maximum when protected by Type FH circuit breaker rated 30 A maximum or (B) 14 kA, 600 V ac maximum when protected by Type FA circuit breaker rated 30 A maximum.

³ Any brand of circuit breaker or fuse not exceeding the ampere rating of the switch may be used ahead of a non-fusible safety switch when there is up to 10 kA short circuit current available.

⁴ 400 A 82,000 switch is only 10 kA.

Enclosed Safety Switches Double Throw Safety Switches

Standards

Double throw safety switches are manufactured in accordance with standards published in:

- UL 98, Standard for Enclosed and Dead Front Switches; UL Listed under File E2875
- NEMA Standards Publication KS1-2001 Enclosed and Miscellaneous Distribution Equipment Switches (600 Volts Maximum)

Table 58: Systems

Switch Type	Non-Fusible Poles	Neutral	Load Make/Break Rated
DT, DTU	2 or 3	Field-installable ¹	Yes
82,000 Line	2, 3, or 4	Factory-installed only	Yes
92,000 Line	2, 3, or 4	Factory-installed only	No

¹ Neutrals are insulated and may be bonded.

Technical Data

Table 59: Terminal Lug Data for Type DT, DTU (Series F) Double Throw Safety Switches ¹

Switch	Wires per Phase	NEMA 1, 3R, 4, 4X, 12			Optional Copper Lugs
		Wire Range Wire Bending Space Per NEC Table 373-6 AWG/kcmil	Standard Lug Wire Range AWG/kcmil	Optional Compression Lug Field-Installed	
30–60 A Type DT, DTU (Series F)	1	12–2 Al or 14–2 Cu	12–2 Al or 14–2 Cu	C10-14, D8-14-SK, or E6-14 ²	Refer to Digest for selection.
100 A Type DT, DTU (Series F)	1	12–1/0 Al or 14–1/0 Cu	12–1/0 Al or 14–1/0 Cu	VCEL02114S1 ³	Refer to Digest for selection.

¹ 30-100 A switches suitable for 60° C (140° F) or 75° C (167° F) conductors. 200-600 A switches suitable for 75° C (167° F) conductors.

² Order from Thomas and Betts.

³ Hubbell Versa-Crimp® catalog numbers.

Table 60: Terminal Lug Data for Types 82,000 and for A and E-Series DTU devices ¹

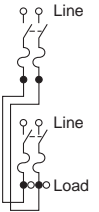
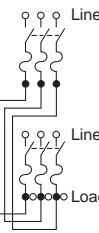
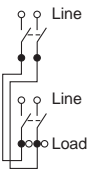
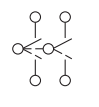
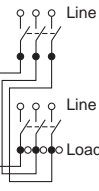
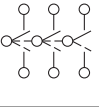
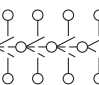
Switch	Wires per Phase	Wire Range Wire Bending Space Per NEC Table 373-6 AWG/kcmil	Lug Wire Range AWG/kcmil	Optional Compression Lugs Field-Installed
30 A (Series T4)	1	14–8 Al/Cu	12–2 Al or 14–2 Cu	—
200	1	6–300 Al/Cu	6–300 Al/Cu	VCEL030516H1 ²
400	1 or 2	1/0–600 Al/Cu or 1/0–300 Al/Cu	1/0–600 Al/Cu	—
600	2	250–500 Al/Cu	250–500 Al/Cu	—

¹ 30-100 A switches suitable for 60° C (140° F) or 75° C (167° F) conductors. 200-600 A switches suitable for 75° C (167° F) conductors.

² Hubbell Versa-Crimp catalog numbers.

Enclosed Safety Switches Double Throw Safety Switches

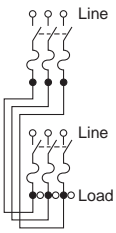
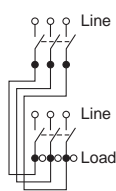
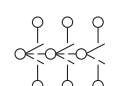
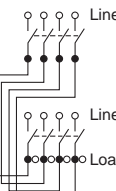
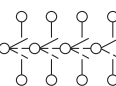
Table 61: 240 Volt

System	Amperes	Current Series	NEMA 1	NEMA 3R	NEMA 4,4X,5 304 Stainless Steel	NEMA 12 Gasketed	Horsepower Ratings ^{1 2}					
							240 V ac				250 V dc ³	
							Std.		Max.			
Catalog Number							1Ø	3Ø	1Ø	3Ø		
Fusible Two-Pole 240 V ac 250 V dc												
	100	F	DT223	DT223RB	—	—	7.5	15 ⁴	15	30 ⁴	20	
Three-Pole 240 V ac 250 V dc												
	30	F	DT321	DT321RB	—	—	1.5 ⁵	3 ⁴	3 ⁵	7.5 ⁴	5	
	60		DT322	DT322RB			3 ⁵	7.5 ⁴	10 ⁵	15 ⁴	10	
	100		DT323	DT323RB			7.5 ⁵	15 ⁴	15 ⁵	30 ⁴	20	
Non-Fusible Two-Pole 240 V ac 250 V dc												
	60	F	DTU222	—	—	—	—	—	10	—	10 ⁶	
	100		DTU223	DTU223RB					15		20 ⁶	
	30	T4	92251 ⁷	—	—	—	—	—	—	—	—	
	200	E	82254	DTU224NRB ^{7 8}	—	—	15	—	—	—	—	
	400	A	82255 ⁷	82255R ⁷	—	—	—	—	—	—	—	
Three-Pole 240 V ac 250 V dc												
	30	F	DTU321	—	—	—	—	—	3 ⁴	5 ⁵	10 ⁴	5 ⁶
	60		DTU322	—					10 ⁵	15 ⁴	10 ⁶	
	100		DTU323	DTU323RB					15 ⁵	30 ⁴	20 ⁶	
	30	T4	92351 ⁷	—	—	—	—	—	—	—	—	
	200	E	82354 ⁷	—	—	—	15	—	—	—	—	
	200	E	DTU324N ^{7 8}	DTU324NRB ^{7 8}	—	—	15	—	—	—	—	
	400	A	82355 ⁷	82355R ⁷	—	—	—	—	—	—	—	
	600	A	DTU326	DTU326R	—	—	—	125	—	—	50	
Four-Pole 240 V ac												
	30	T4	92451	—	—	—	—	—	—	—	—	
	200	E	82454 ⁹	82454R ⁹	—	—	—	15 ¹⁰	—	—	—	
	400	A	82455	82455R	—	—	—	—	—	—	—	
	600	A	DTU426	DTU426R	—	—	—	125	—	—	50	

1 The starting current of motors or more than standard horsepower may require the use of fuses with appropriate time delay characteristics.
2 Std.—Using fast acting one time fuses. Max.—Using dual element time delay fuses.
3 For switching dc, use two switching poles.
4 If used on corner grounded delta systems, install neutral and use outer switching pole for ungrounded conductors. See data bulletin 2700DB0202 for additional information.
5 Use outer switching poles.
6 Maximum rating.
7 240 V ac only. Not V dc rated.
8 Neutral included with device.
9 240 V ac, 250 V dc.
10 Hp rating applies only to H82454.

Enclosed Safety Switches Double Throw Safety Switches

Table 62: 600 V

System	Amperes	Current Series	NEMA 1	NEMA 3R	NEMA 4,4X,5 304 Stainless Steel	NEMA 12 Gasketed	Horsepower Ratings ^{1 2}								
							240 V ac		480 V ac		600 V ac		V dc ³		
							std	max	std	max	std	max	250	600	
Catalog Number							3Ø	3Ø	3Ø ⁴	3Ø ⁴	3Ø	3Ø			
Fusible Three-Pole 600 V ac 600 V dc															
	30	F	DT361	DT361RB	—	—	—	—	5 ⁵	15 ⁵	7.5	20	5	15 ⁶	
	60	F	DT362	DT362RB	—	—	—	—	15 ⁷	30 ⁷	15	50	—	30 ⁸	
	100	F	DT363	DT363RB	—	—	—	—	25 ⁹	60 ⁹	30	75	—	50 ¹⁰	
Non-Fusible Three-Pole 600 V ac 600 V dc							1Ø ^{3 11}	3Ø ^{4 11}	1Ø ^{3 11}	3Ø ^{4 11}	1Ø ^{3 11}	3Ø ¹¹			
	30	F	DTU361	DTU361RB	—	—	5	10	7.5	20	10	30	5	15	
	60	F	DTU362	DTU362RB	DTU362DS	DTU362AWK ¹²	10	20 ¹³	25	50 ¹⁴	30	60 ¹⁵	10	30	
	100	F	DTU363	DTU363RB	DTU363DS	DTU363AWK ¹²	20	40 ¹⁶	40	75 ¹⁶	40	100 ¹⁶	20	50	
	200	E	82344 ¹⁷	82344RB ¹⁷	82344DS ^{17 18}	H82344 ¹⁷	—	—	—	15 ¹⁹	—	—	—	—	
	400	A	82345 ²⁰	82345R ²⁰	82345DS ²⁰	H82345 ²⁰	—	—	—	—	—	—	—	—	
	600	A	DTU366 ²⁰	DTU366R ²⁰	—	DTU366AWK ²⁰	—	125	—	250	—	350	50	—	
Non-Fusible Four-Pole 600 V ac 600 V dc							2Ø	3Ø	2Ø	3Ø	2Ø	3Ø			
	60	F	DTU462 ²¹	Use NEMA 12	DTU462DS ²¹	DTU462AWK ^{12 21}	20	20	40	50	50	60	10	30	
	100	F	DTU463 ²¹		DTU463DS ²¹	DTU463AWK ^{12 21}	30	40	50	75	50	75	20	30	
	200	E	82444 ²⁰	82444R ²⁰	82444DS ²⁰	H82444 ^{12 20 21 22}	—	—	—	—	—	—	—	—	
	400	A	82445 ²⁰	82445R ²⁰	—	H82445 ²⁰	—	—	—	—	—	—	—	—	
	600	A	DTU466 ²⁰	DTU466R ²⁰	—	—	—	125	—	250	—	350	50	—	

1 The starting current of motors of more than standard horsepower may require the use of fuses with appropriate time delay characteristics.

2 Std.—Using fast-acting one time fuses. Max.—Using dual element time delay fuses. (Non-fusible switches have max rating unless noted).

3 Use outer switching poles.

4 If used on corner grounded delta systems, install neutral and use outer switching pole for ungrounded conductors. See data bulletin 2700DB0202 for additional information.

5 480 V ac 1 Phase HP = 3 Std., 7.5 Max.

6 10 Std., 15 Max.

7 480 V ac 1 Phase HP = 5 Std., 20 Max.

8 25 Std., 30 Max.

9 480 V ac 1 Phase HP = 10 Std., 300 Max.

10 40 Std., 50 Max.

11 Maximum HP.

12 Complete rating on switch is NEMA 3R, 5 or 12. For 3R applications, remove drain screw from bottom endwall.

13 Maximum HP is 15 for corner grounded delta systems.

14 Maximum HP is 30 for corner grounded delta systems.

15 Use 75° C #4 Cu or #2 Al conductors only on DTU362 and DTU362RB.

16 Use 75° C #1 Cu conductors only.

17 480 V ac, 250 V dc maximum.

18 Not UL Listed.

19 Standard HP rating.

20 250 V dc maximum

21 Not suitable for use as service equipment.

22 480 V ac, 250 V dc maximum.

—Continued

Enclosed Safety Switches Double Throw Safety Switches

Table 62: 600 V

System	Amperes	Current Series	NEMA 1	NEMA 3R	NEMA 4,4X,5 304 Stainless Steel	NEMA 12 Gasketed	Horsepower Ratings ^{1 2}							
							240 V ac		480 V ac		600 V ac		V dc ³	
							std	max	std	max	std	max	250	600
Catalog Number							3Ø	3Ø	3Ø ⁴	3Ø ⁴	3Ø	3Ø		
Non-Fusible Six-Pole 600 V ac 600 V dc							1Ø	3Ø	1Ø	3Ø	1Ø	3Ø		
	60	F	—	—	—	DTU662AWK ^{12 21}	—	20	—	50	—	60	10	30
	100	F	—	—	—	DTU663AWK ^{12 21}	—	40	—	75	—	75	20	50

- ¹ The starting current of motors of more than standard horsepower may require the use of fuses with appropriate time delay characteristics.
- ² Std.—Using fast-acting one time fuses. Max.—Using dual element time delay fuses. (Non-fusible switches have max rating unless noted)
- ³ Use outer switching poles.
- ⁴ If used on corner grounded delta systems, install neutral and use outer switching pole for ungrounded conductors. See data bulletin 2700DB0202 for additional information.
- ⁵ 480 V ac 1 Phase HP = 3 Std., 7.5 Max.
- ⁶ 10 Std., 15 Max.
- ⁷ 480 V ac 1 Phase HP = 5 Std., 20 Max.
- ⁸ 25 Std., 30 Max.
- ⁹ 480 V ac 1 Phase HP = 10 Std., 300 Max.
- ¹⁰ 40 Std., 50 Max
- ¹¹ Maximum HP.
- ¹² Complete rating on switch is NEMA 3R, 5 or 12. For 3R applications, remove drain screw from bottom endwall.
- ¹³ Maximum HP is 15 for corner grounded delta systems.
- ¹⁴ Maximum HP is 30 for corner grounded delta systems.
- ¹⁵ Use 75° C #4 Cu or #2 Al conductors only on DTU362 and DTU362RB.
- ¹⁶ Use 75° C #1 Cu conductors only.
- ¹⁷ 480 V ac, 250 V dc maximum.
- ¹⁸ Not UL Listed.
- ¹⁹ Standard HP rating.
- ²⁰ 250 V dc maximum
- ²¹ Not suitable for use as service equipment.
- ²² 480 V ac, 250 V dc maximum.

Enclosed Safety Switches Double Throw Safety Switches

Service Grounding Kit

Field-installed equipment grounding kits are required for service equipment use.

Table 63: Service Grounding Kit

Switch	Field-Installed Service Grounding Lug Kit Catalog Number	Terminal Data AWG/kcmil
30–60 A Types DT, DTU (Series F)	Included	(3) 14–2 Al/Cu or (6) 14–10 Al/Cu
100 A Types DT, DTU (Series F)	Included	(3) 14–1/0 Al/Cu
30 A Type 92,000 (Series T4)	DT30SG	(4) 14–4 Al/Cu
200 A Type 82000 and DTU (Series E)	DT100SG	(3) 14–1/0 Al/Cu
400 A Type 82000 (Series A)	PKOGTA2 (2 required)	(4) 10–2/0 Cu or (4) 6–2/0 Al
600 A Type DTU (Series A)	DS468GKD	6–250 Al/Cu ¹

¹ Three 6-250 ground lugs are provided as standard. DS468GKD provides an additional (2) 6-250 ground lugs.

Solid Neutral Assembly

- Factory- or field-installed 30, 60, 100, 400, and 600 A switches UL Listed
- Factory-installed on 200 A 82,000 Series switches. Not UL Listed

Note: To order, add suffix “N” to standard catalog number.

Table 64: Neutral Assembly

Switch	Field-Installed Standard Neutral Kit Catalog Number	Terminal Data AWG/kcmil	Field-Installed Copper only Neutral Kit Catalog Number	Terminal Data AWG/kcmil
30–100 A Type DT, DTU (Series F) (Two- and Three-pole switches only)	SN0310	(3) 14–1/0 Al/Cu plus (2) 14–6 Al/Cu Svc Ground	SN0310C	(3) 14–1/0 Cu plus (2) 14–6 Cu Svc Ground
30 A (Series T4) (Two- and Three-pole switches only)	See footnote ¹	(3) 14–4 Al/Cu plus (2) 14–4 Al/Cu Svc Ground	—	—
200 A Type 82000 (Series E) (Two- and Three-pole switches only) ²	See footnote ¹	(3) 6–300 Al/Cu plus (1) 6–2/0 Al or 10–2/0 Cu Svc Ground	—	—
200 A Type 82000 (Series E)	Factory Installed	(3) 4–300 Al/Cu plus (1) 4–300 Al/Cu Svc Ground	—	—
400 A Type 82000 (Series A)	DT400N	(1) 1/0 - 600 Al/Cu or (2) 1/0 - 250 Al/Cu plus (2) 6–300 Al/Cu Svc Ground	—	—
600 A Type DTU (Series A)	DT600NKD	(6) 250–500 Al/Cu plus (1) 6–250 Al/Cu Svc Ground	—	—

¹ For 200 A Type 82000 and 30 A Type 92000 switches, neutral is available factory-installed on two- and three-pole switches. Not UL Listed. To order, add suffix N to the standard catalog number. Terminated dated = (3) 4 - 250 Al / Cu SVC ground.

² Neutral assembly catalog number DT200N can be added to four-pole, 200A, Type 82000 switches in the field.

Enclosed Safety Switches Double Throw Safety Switches

Electrical Interlocks

- Not available on 92,000 Series double throw switches
- Factory- or field-installed on all 30, 60, 100, and 600 A DTU Series switches and 400 A 82,000 Series switches. UL Listed
- Factory-installed on 200 A 82,000 Series switches. Not UL Listed
- Electrical interlocks are furnished with two N.O. / N.C. contacts and are installed in both ON positions. To order, add suffix "EI" to standard catalog number

Table 65: Electrical Interlocks

Switch	Field-Installed Electrical Interlock Kit Catalog Number ¹
30–100 A Type DT, DTU (Series F)	EIK1, EIK2 ^{2 3}
200 A Type 82000 and DTU (Series E) ⁴	See footnote ⁵
400 A Type 82000 (Series A)	EK400DTU2
600 A Type DTU (Series A)	DS200EK2D

¹ Electrical interlock kit catalog numbers ending with a "1" suffix indicates one normally open and normally closed contact; "2" indicates two normally open and two normally closed contacts. See Table 31 on page 31 for Electrical Interlock Kit and electrical interlock ratings.

² 30–100 A type DT, DTU (Series F) switches contain two separate switching mechanisms. Each mechanism will accept an electrical interlock. Some applications may therefore require two electrical interlocks.

³ Double throw switches 92251, 92351 and 92451 are not available with factory or field installed electrical interlocks.

⁴ Electrical interlock EK400DTU2 can be added to four-pole, Type 82000 switches in the field.

⁵ Type 82000 and DTU switches are available with electrical interlock factory-installed only. Not UL listed. Electrical interlocks are furnished with 2 N.O./N.C. contacts and are installed in both "ON" positions. To order, add suffix EI to standard switch catalog number.

Class R Fuse Kits

When properly installed, this kit rejects all but Class R fuses. Kits are available for field installation. For factory installation, add "CLR" suffix to catalog number.

Table 66: Class R Fuse Kits

Switch	Series Number	Class R Fuse Kit Catalog Number
Class R Fuse Kits—240 V (two kits per three-pole switch)		
30 A	F5	RFK03
60 A	F5	RFK06
100 A	F5	RFK10
Class R Fuse Kits—600 V (two kits per three-pole switch)		
30 A	F5	RFK06
60 A	F5	RFK06H
100 A	F5	RFK10

Enclosed Safety Switches Double Throw Safety Switches

Lock-On Provision

- UL Listed
- 30–100 A type DT or DTU (Series F) and type 92,000 included on standard device
- Type 82,000 and 200 A DTU (Series E) available factory-installed. Add SPLO to catalog number

Table 67: Rain-Proof Bolt-On Hubs

Conduit Size	3/4	1	1-1/4	1-1/2	2	2-1/2	3	3-1/2	4	Closing Cap
Hub Cat. No.	B075	B100	B125	B150	B200	B250	B300	B350	B400	BCAP

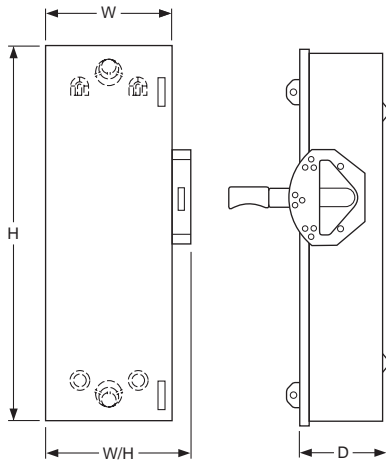
Table 68: Watertight Hubs (For use on NEMA 4, 4X and 5 Stainless Steel and NEMA 12 enclosures.)

Conduit Trade Size	1/2	3/4	1	1-1/4	1-1/2	2	2-1/2	3	3-1/2	4
Standard-Zinc Hub Catalog Number	H050	H075	H100	H125	H150	H200	H250	H300	H350	H400
Chrome Plated Hub Catalog Number	H050CP	H075CP	H100CP	H125CP	H150CP	H200CP	—	—	—	—

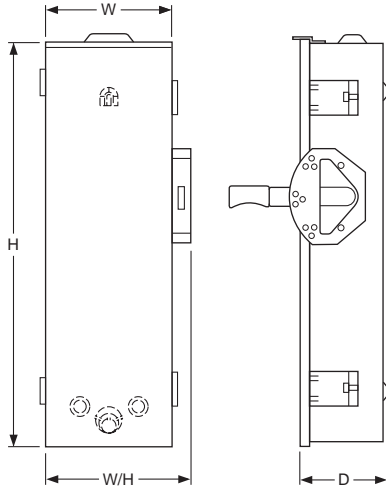
Enclosed Safety Switches Double Throw Safety Switches

Table 69: 30–100 A Types DT, DTU (Series F) Approximate Dimensions

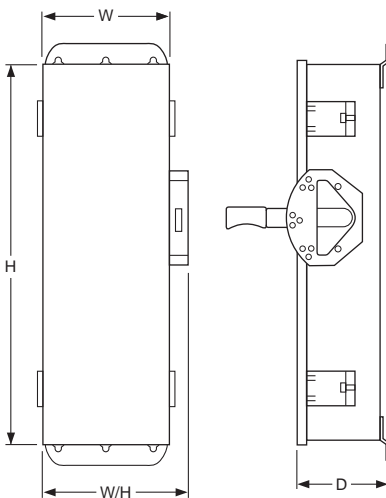
Catalog Number	Series	H		W		W/H		D	
		in.	mm	in.	mm	in.	mm	in.	mm
DT223	F5	38.00	965	9.88	251	11.13	283	6.75	171
DT223RB	F5	38.00	965	6.87	174	8.12	206	6.60	168
DT321	F5	38.00	965	10.25	260	11.50	292	6.75	171
DT321RB	F5	38.00	965	10.25	260	11.80	300	6.60	168
DT322	F5	38.00	965	10.25	260	11.50	292	6.75	171
DT322RB	F5	38.00	965	10.25	260	11.80	300	6.60	168
DT323	F5	38.00	965	9.88	251	11.13	283	6.75	171
DT323RB	F5	38.00	965	6.87	174	8.12	206	6.60	168
DT361	F5	38.00	965	10.25	260	11.50	292	6.75	171
DT361RB	F5	38.00	965	10.25	260	11.80	300	6.60	168
DT362	F5	38.00	965	10.25	260	11.50	292	6.75	171
DT362RB	F5	38.00	965	10.25	260	11.80	300	6.60	168
DT363	F5	38.00	965	9.88	251	11.13	283	6.75	171
DT363RB	F5	38.00	965	6.87	174	8.12	206	6.60	168
DTU222	F5	29.94	760	10.25	260	11.96	304	6.93	176
DTU223	F5	29.94	760	10.25	260	11.96	304	6.93	176
DTU223RB	F5	30.50	775	10.25	260	11.96	304	6.93	176
DTU321	F5	29.94	760	10.25	260	11.96	304	6.93	176
DTU322	F5	29.94	760	10.25	260	11.96	304	6.93	176
DTU323	F5	29.94	760	10.25	260	11.96	304	6.93	176
DTU323RB	F5	30.50	775	10.25	260	11.96	304	6.93	176
DTU361	F5	29.94	760	10.25	260	11.96	304	6.93	176
DTU361RB	F5	30.50	775	10.25	260	11.96	304	6.93	176
DTU362	F5	29.94	760	10.25	260	11.96	304	6.93	176
DTU362AWK	F6	29.94	760	10.25	260	11.96	304	6.93	176
DTU362DS	F6	30.26	769	10.25	260	11.50	292	7.12	181
DTU362RB	F5	30.50	775	10.25	260	11.96	304	6.93	176
DTU363	F5	29.94	760	10.25	260	11.96	304	6.93	176
DTU363AWK	F6	29.94	760	10.25	260	11.96	304	6.93	176
DTU363DS	F6	30.26	769	10.25	260	11.50	292	7.12	181
DTU363RB	F5	30.50	775	10.25	260	11.96	304	6.93	176
DTU462	F5	29.94	760	10.25	260	11.96	304	6.93	176
DTU462AWK	F6	30.26	769	15.50	394	16.75	425	7.12	181
DTU462DS	F6	30.26	769	15.50	394	16.75	425	7.12	181
DTU463	F5	29.94	760	10.25	260	11.96	304	6.93	176
DTU463AWK	F6	30.26	769	15.50	394	16.75	425	7.12	181
DTU463DS	F6	30.26	769	15.50	394	16.75	425	7.12	181
DTU662AWK	F6	30.26	769	15.50	394	16.75	425	7.12	181
DTU663AWK	F6	30.26	769	15.50	394	16.75	425	7.12	181



Typical NEMA 1



Typical NEMA 3R



Typical NEMA 4, 4X, 5, and 12

Enclosed Safety Switches Double Throw Safety Switches

**Table 69: 30, 200–600 A Types 82,000 and E-Series DTU devices,
NEMA 1 and 3R Approximate Dimensions**

Catalog Number	Series	H		W		W/H		D	
		in.	mm	in.	mm	in.	mm	in.	mm
DTU224NRB ¹	E1	32.50	826	20.63	524	24.00	610	10.63	270
82254 ¹	E1	30.88	784	15.75	400	19.63	499	9.75	248
82254NW ¹	E1	30.88	784	20.00	508	23.88	607	11.75	298
82344 ¹	E2	30.88	784	20.00	508	23.88	607	11.75	298
82344RB ¹	E1	32.50	826	20.63	524	24.00	610	10.63	270
82354	E1	30.88	784	20.00	508	23.88	607	11.75	298
92251	T4	10.00	254	8.00	203	9.75	248	4.75	121
82344DS	E1	30.88	784	20.00	508	23.88	607	11.75	298
DTU324N	E1	32.50	826	24.50	622	26.25	667	10.63	270
DTU324NRB	E1	32.50	826	24.50	622	26.25	667	10.63	270
H82344	E2	32.50	826	24.50	622	26.25	667	10.63	270
H82444 ¹	E2	32.50	826	30.21	767	33.61	854	10.63	270
H82454	E3	32.50	826	30.21	767	33.61	854	10.63	270
82454	E3	38.00	965	29.62	753	33.02	839	10.63	270
82444	E3	38.00	965	29.62	753	33.02	839	10.63	270
82454R ¹	E3	38.00	965	29.62	753	33.02	839	10.63	270
82444R	E3	38.00	965	29.62	753	33.02	839	10.63	270
H82254	E3	32.50	826	24.50	622	26.25	667	10.63	270
H82354	E3	32.50	826	24.50	622	26.25	667	10.63	270
82444DS ¹	E3	38.00	965	29.62	753	33.02	839	10.63	270
82255 ¹	A1	38.50	978	26.10	663	29.51	750	10.63	270
82255R	A1	39.00	991	26.62	676	30.02	763	10.63	270
82345 ¹	A1	38.50	978	26.10	663	29.51	750	10.63	270
82345DS ¹	A1	39.00	991	26.62	676	30.02	763	10.63	270
82345R ¹	A1	39.00	991	26.62	676	30.02	763	10.63	270
82355 ¹	A1	38.50	978	26.10	663	29.51	750	10.63	270
82355R ¹	A1	39.00	991	26.62	676	30.02	763	10.63	270
82445	A1	38.50	978	30.10	765	33.50	851	10.63	270
82445R	A1	39.00	991	30.21	767	33.61	854	10.63	270
82455 ¹	A1	38.50	978	30.10	765	33.50	851	10.63	270
82455R	A1	39.00	991	30.21	767	33.61	854	10.63	270
H82255	A1	39.00	991	26.62	676	30.02	763	10.63	270
H82345	A1	39.00	991	26.62	676	30.02	763	10.63	270
H82355	A1	39.00	991	26.62	676	30.02	763	10.63	270
H82445	A1	39.00	991	30.21	767	33.61	854	10.63	270
H82455	A1	39.00	991	30.21	767	33.61	854	10.63	270
DTU326	A1	63.31	1608	23.66	601	24.46	621	8.88	226
DTU426	A1	63.31	1608	27.00	686	27.80	706	8.88	226
DTU366	A1	63.31	1608	23.66	601	24.46	621	8.88	226
DTU466	A1	63.31	1608	27.00	686	27.80	706	8.88	226
DTU326R	A1	63.76	1619	23.66	601	24.46	621	8.88	226
DTU426R	A1	63.76	1619	27.00	686	27.80	706	8.88	226
DTU366R	A1	63.76	1619	23.66	601	24.46	621	8.88	226
DTU466R	A1	63.76	1619	27.00	686	27.80	706	8.88	226
DTU366AWK	A1	63.76	1619	23.66	601	24.46	621	8.88	226

¹ 250 V dc rated.

**Enclosed Safety Switches
Double Throw Safety Switches**

Schneider Electric USA, Inc.

800 Federal Street
Andover, MA 01810 USA
888-778-2733
www.schneider-electric.us

Schneider Electric and Square D are trademarks owned by Schneider Electric Industries SAS or its affiliated companies. All other trademarks are the property of their respective owners.

3100CT1602 Replaces 3100CT0901 R11/2009
© 1998–2016 Schneider Electric All Rights Reserved