

SH. 1  
OF 1

CAT NO

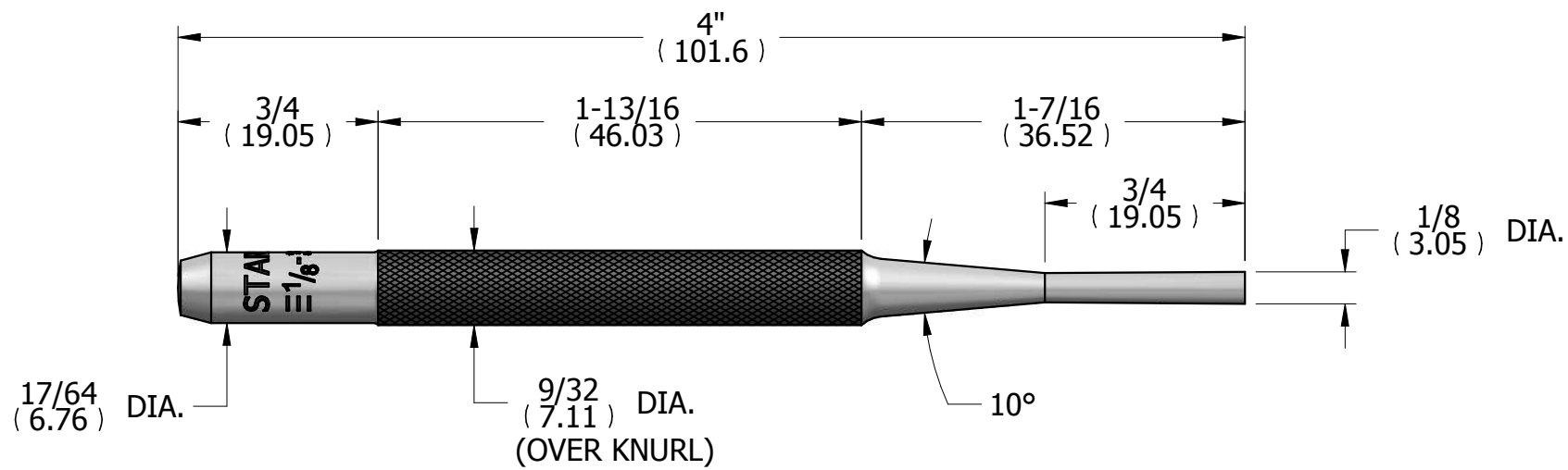
565C

CUSTOMER DIMENSIONS

DO NOT  
SEPARATE  
PRINT FROM  
WORK

OPER

TOOLS




REV	DESCRIPTION	DATE	BY
-----	-------------	------	----

DR	JAC	CHK	DATE
----	-----	-----	------

1/8 DRIVE PIN  
PUNCH

FRACTIONAL TOLERANCE +- 1/64 UNLESS OTHERWISE NOTED

THE L.S. STARRETT CO.  
ATHOL, MASS.