

## Replacement Parts and Accessories

68, 600, 640, 740 and 840 Series – 1-, 2-, 3-Gang

### Floor Plate Plug Inserts



Cat. No.	Description	Std. Ctn.
690-SC	1/2 in. – 14 in. N.P.S. Thread	4
691-SC	3/4 in. – 14 in. N.P.S. Thread	
692-SC	1 in. – 11-1/2 in. N.P.S. Thread	
693-SC	1-1/4 in. – 11-1/2 in. N.P.S. Thread	
694	2 in. – 20 in. UN Thread	
695	1/2 in. – 2 in.	
696-SC	3/4 in. – 2 in.	
697*	2-5/8 in. – 20 UN 2A Thread	
698*	1-7/16 in. for Duplex P-60-DU	

\*CSA not applicable  
 Catalogue numbers are for brass.  
 For aluminum, add AL after catalogue number.

### Gaskets for Floor Plate Assemblies



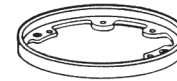
Cat. No.	Description	Std. Ctn.
630-SC	P-60 Series Floor Plate Assemblies	4
631	(except duplex) P-60-DR, P-60-DU, P-60-DS-AL Floor Plate Assemblies	
SP-P60-DS-P3	P-60-DS Floor Plate Assemblies	1

### Seating Plates for Receptacles — Steel



Cat. No.	Description	Std. Ctn.
SP-620-MA	P-60-2, P-60-1/2-2, P-60-3/4-2 Floor Plate Assemblies	1
SP-621	P-60-DR, P-60-DU, P-60-DC-AL and P-60-DS Floor Plate Assemblies	

### Tile Trims



Cat. No.	Finish	Std. Ctn.
600-4-FL-AL	Aluminum	1
600-4-FL	Brass	

### Gaskets for Floor Plates Assemblies



Cat. No.	Description	Std. Ctn.
SP650*	P-64 Series Floor Plate Assemblies	4
SP651*	P-64-DU Floor Plate Assemblies	10
SP-P64-DS-P2	P-64-DS Floor Plate Assemblies	4

\*CSA not applicable

### Seating Plates for Receptacles — Steel

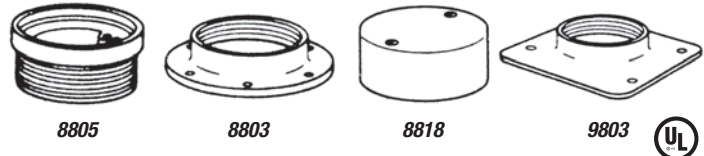
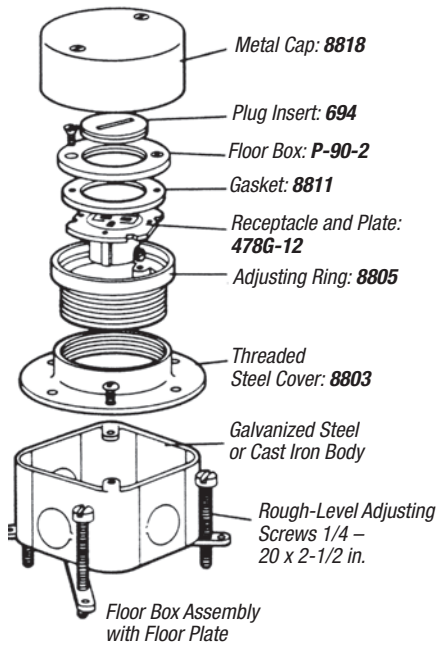


Cat. No.	Description	Std. Ctn.
640*	P-64-2, P-64-1/2-2, P-64-3/4-2 Floor Plate Assemblies	4
639*	P-64-2-5/8 Floor Assemblies	10
638*	P-64-DS and P-64-DU Floor Plate Assemblies	1

\*CSA not applicable

## Replacement Parts and Accessories

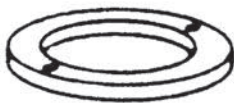
For 70, 88 and 98, 671 or 672 Series



Cat. No.	Description	Std. Ctn.
8805	Brass Adjusting Ring	4
8803	Threaded Steel Body Cover for 78 and 88 Series	
8818	Metal Protective Cap	
9803	Threaded Steel Body Cover for 98 Series	

CSA not applicable  
2-5/8 in. – 20 in. UN 2A Thread

### Gasket for Floor Plate Assembly



Cat. No.	For use with	Std. Ctn.
8811	P90 Series Floor Plates	4

### Plate for Short Strap Receptacle



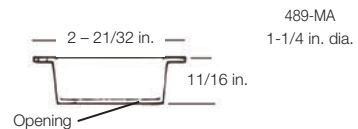
Cat. No.	For use with	Std. Ctn.
889	Series 78, 88, 98, 671, 672 Boxes	4

### Extension Collar



Cat. No.	Description	Std. Ctn.
8805-E	Provides an Extension of Floor Box Throat Upward 1-1/8 in., for Extreme Depths (7 cu. in.) 2-5/8 – 20 UN 2A Thread	4

### Microphone Adapter for Floor Boxes



Cat. No.	Description	Std. Ctn.
489-MA	27-gauge Galvanized Steel with 1-1/4 in. dia. Opening for Standard Microphone Jacks: for Steel City® Floor Box Series 78, 88, 98 and 671	4

CSA not applicable