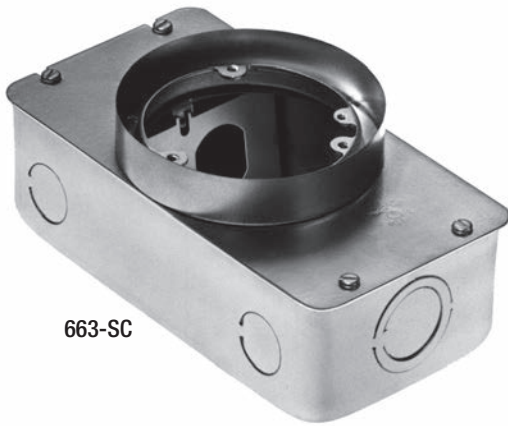


## Concealed Service Floor Boxes

### 663 Series Floor Box



663-SC

- Multiple service floor box that delivers power, communications and data from standard conduit with no exposed service fitting
- Result: Open office planning flexibility
- Ideal for workstations that require power, communications and data service
- Stamped steel, concrete-tight, semi-adjustable
- Electro-galvanized body and hardware
- Shipped complete with expendable cap to prevent ingress of concrete
- Blank- and duplex-face plates can be mounted at either end of the box
- Does not include duplex faceplate; faceplate is included with P-62-CP and P-60-3B cover plates
- Use P-62 and P-60 Series covers\*

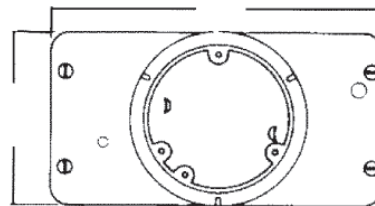
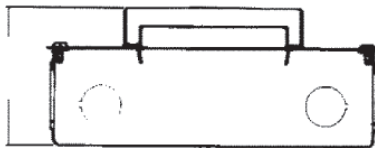
### Engineering Data — 663 Series



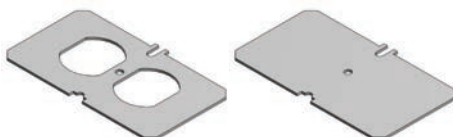
Cat. No.	Dimensions (in.)			Before Pour Adj. (in.)	After Pour Adj. (in.)	Maximum Capacity (cu. in.)	Covers and carpet Plates	Maximum Conduit KO's (in.)		Wiring Device	Std. Ctn.
	A	B	C					Sides	Bottom		
663-SC	3-5/8	4-11/16	8-13/16	None	3/4	25 per Gang 90 Total	P-62 Series P-60 Series	(2) 1-1/4 (3) 3/4	None	Duplex and/or Data/Voice	4

\*P-62-TAR is required when using P-60 Series covers

Caution: to abandon 663 you must use a P-60 Series brass cover plate



### Faces Plates for 663 Floor Box



Cat. No.	Description	Std. Ctn.
P-60-Q	Duplex receptacle plate for 663 floor box	4
P-60-QB	Blank plate for 663 floor box	

## Concealed Service Floor Boxes

### Covers, Carpet Plates and Adjusting Rings for 663 Floor Box



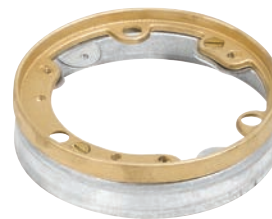
P-60-3B

- Polished brass finish with nonmetallic bronze insert.
- Plastic insert has one 7/8 in. cut-out and two 1/2 in. cut-outs.
- Furnished complete with sealing gasket, 8-32 x 7/16 in. brass screws and one P-60-Q device plates.
- Split cover sections have access notch for screwdriver lift.



P-60-CP

- Polished brass finish
- Furnished complete with 8-32 x 1 in. brass screws
- P-62-TAR is required when used on 663 floor box
- 5-11/16 in. outside diameter



P-62-TAR

- Gives 3/4 in. adjustment when mounted on 663 floor box
- Accepts P-60-3B, P-60-CP and all P-60 Series cover plates



Cat. No.	Description	Finish	Std. Ctn.
P-60-3B <sup>1</sup>	Cover Plate – Includes 1 - P-60-Q	Brass	4
P-60-CP		Polished Brass	
P-60-CP-AL	Carpet plate	Aluminum	
P-62-TAR	Flange and adjusting ring for 663	Polished Brass	
P-62-TAR-AL*		Aluminum	

\* Not CSA Certified

• For use as cover only when box in service

<sup>1</sup> When not in use replace P-60-3B Cover Plate with 697 Plug

**Caution: These covers are not to be used in high traffic areas**



P-62-CP-BRN

- High strength polycarbonate
- Molded support ribs for extra strength
- Furnished with one 7/8 in. cut-out and two 1/2 in. cut-outs and P-60-Q device plate
- 5-5/8 in. outside diameter
- Furnished with 3-12-24 x 1 in. screws



Cat. No.	Description	Colour	Std. Ctn.
P-62-CP-AS <sup>2</sup>	Polycarbonate cover and carpet plate – Includes 1 - P-60-Q	Charcoal	4
P-62-CP-BRN <sup>2*</sup>		Brown	
P-62-CP-G <sup>2*</sup>		Gold	

\* Not CSA Certified

• For use as cover only when box in service

<sup>2</sup> When not in use the P62CP Series cover should be replaced by P60CP, P60 and P62 Series covers

**Caution: These covers are not to be used in high traffic areas**

## Recessed Service Floor Boxes

### 664 Series Floor Box



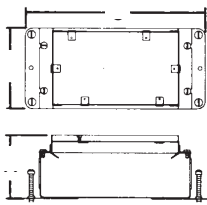
### Multiple-Service Floor Boxes for Power, Communications and Data

Multiple-service floor boxes deliver power, communications and data from standard conduit with no exposed service fittings. Result: Open office planning flexibility. Ideal for the modern office with workstations that have power, communications and data equipment. Power receptacles and low-voltage connections can be enclosed underfloor in either steel or cast-iron bodies. Galvanized 14-gauge steel boxes are provided with knockouts from 3/4 in. to 1-1/4 in. Cast-iron bodies have threaded openings for 3/4 in. and 1 in. conduit.

- Two-compartment boxes are available in three types: stamped steel (664-SC), shallow (664-S) and cast iron (664-CI)
- Durable nonmetallic covers include a steel reinforcement plate for added strength
- New! Metallic covers in solid brass and aluminum provide aesthetics and durability
- Four leveling screws enable quick leveling to desired **concrete** depth
- Cover flange self-levels with the finished floor for easy installation

Cat. No.	Description	Std. Ctn.
664-SC	Stamped-Steel Box which Accepts Two Plates, One Duplex Plate Provided	4
664-CI	Cast-Iron Box which Accepts Two Plates, One Duplex Plate Provided	
664-S	Shallow Stamped-Steel Box which Accepts Two Plates, One Duplex Plate Provided	

When ordering a 664 Series box, the cover must be ordered separately, see page C50  
For communications accessories, see page C85



664-CI



664-SC



664-S

### Engineering Data — 664 Series

Cat. No.	Dimensions (in.)			Before Pour Adj. (in.)	After Pour Adj. (in.)	Maximum Capacity (cu. in.)	Standard Conduit Tapping	Maximum Conduit Tapping (in.)		Conduit KOS		Covers
	A	B	C					W/Bushing	W/O Bushing	Sides	Bottom	
664-SC	3-3/4	4-11/16	10-1/4	2-1/2	3/4	24 per gang 90 total	—	—	—	(4) 1in. – 1-1/4 in. (4) 3/4	None	664-CST Series
664-CI	3-3/4	5-3/32	9-15/16	2-1/2	3/4	24 per gang 90 total	(4) 3/4 in. (4) 1 in.	1	1-1/2	—	—	664-CST Series
664-S	2-7/8	4-11/18	10-1/4	1-1/2	3/4	16.5 per gang 70 total	—	—	—	(6) 3/4 in.	None	664-CST Series

Caution: When using the center side KOs, Catalogue Number 664-RP must be assembled to the box prior to installing the conduit

## Recessed Service Floor Boxes

### Metallic Covers for 664 Series Floor Boxes



**664-CST-M-BRS**  
Solid Brass



**664-CST-M-ALM**  
Solid Aluminum



**664-CST-M-BLK**  
Solid Black



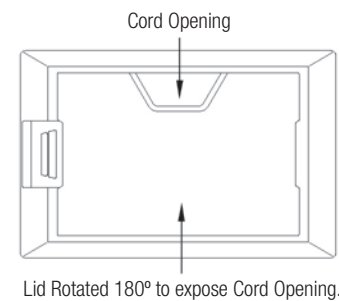
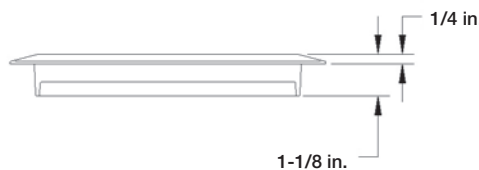
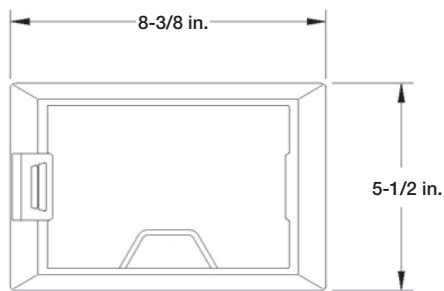
**664-CI**  
Cast Iron for Slab or Grade Applications



**664-S**  
For Shallow Concrete Applications



**664-SC**  
Stamped Steel for General Purpose



MopTite™ Covers meet UL scrub-water exclusion requirements for carpet, tile and wood



Cat. No.	Finish	Load Rating (lb.)	Std. Ctn.
<a href="#">664-CST-M-BRS</a>	Solid Brass	2,250	1
<a href="#">664-CST-M-ALM</a>	Solid Aluminum	2,250	1
<a href="#">664-CST-M-BLK</a>	Solid Black	2,250	1

## Recessed Service Floor Boxes

### Nonmetallic Covers for 664 Series Floor Boxes

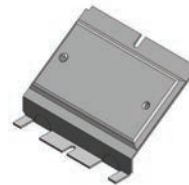
- Duplex receptacle face plate for 664 Series floor box for additional power service
- Does not include duplex



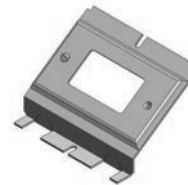
664-CST-SW-BLK



664-CST-SW-BRN



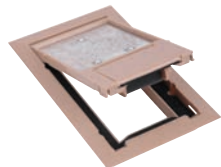
664-BP



664-GP



664-RP



664-CST-SW-BGE



664-CST-SW-GRY

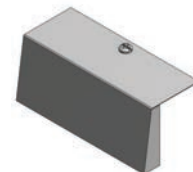
Cat. No.	Description	Std. Ctn.
664-BP	Blank Plate	4
664-GP	GFCI Receptacle Plate	
664-RP	Duplex Receptacle Plate	

Caution: When using the center side KO's, all 664 plates must be assembled to the box prior to installing the conduit

### Device Plates – 664-S



664-S-RP



664-S-BP



Cat. No.	Description	Std. Ctn.
664-S-RP	Duplex Receptacle Plate	4
664-S-BP	Blank Plate	

### Wire Tunnel for 664 Series

- Wire tunnel for protecting electrical connections between the two duplex receptacles when the box is used for power/power application



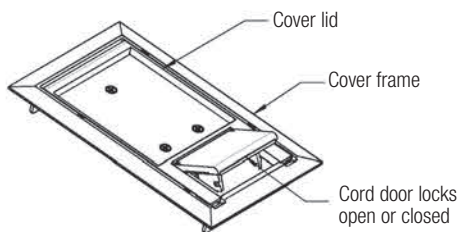
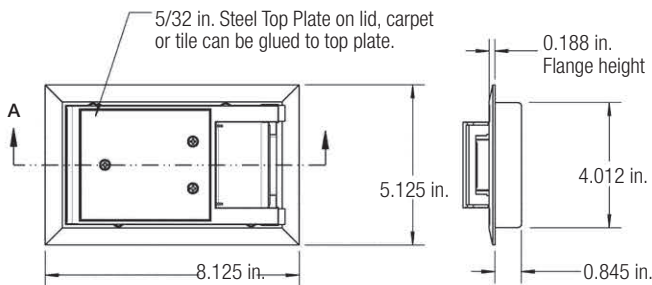
664-WT



664-S-WT



Cat. No.	For Use With	Std. Ctn.
664-WT	664 and 664-CI Floor Boxes	4
664-S-WT	664-S Floor Box	4



MopTite™ covers meet UL scrub-water exclusion requirements for carpet, tile and wood



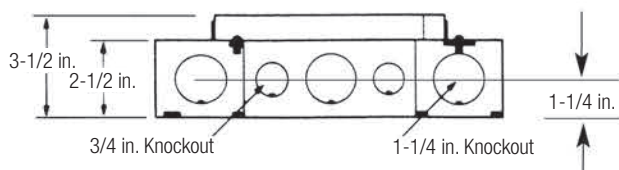
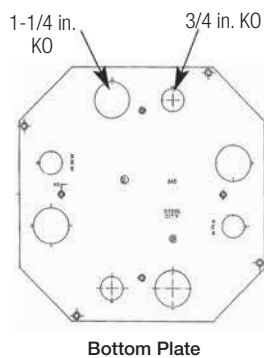
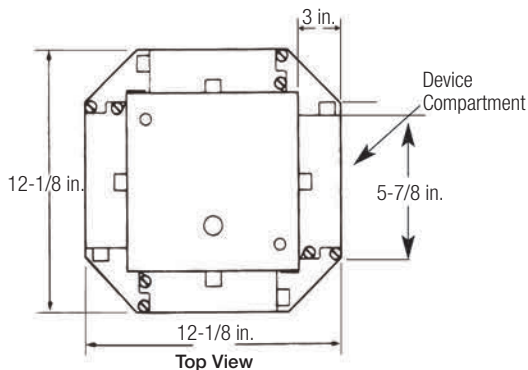
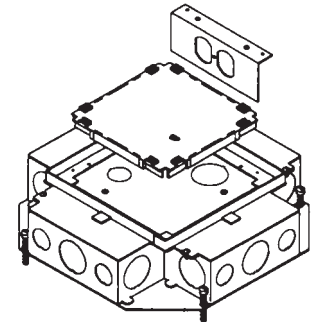
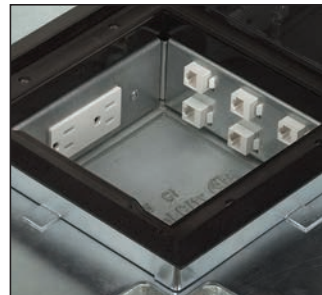
Cat. No.	Colour	Load Rating (lb.)	Std. Ctn.
664-CST-SW-GRY	Grey	1,500	1
664-CST-SW-BRN	Brown	1,500	1
664-CST-SW-BGE	Beige	1,500	1
664-CST-SW-BLK	Black	1,500	1

Material: Polycarbonate with 5/32 in. steel plate (see page C49 for metallic cover options)



## Recessed Service Floor Boxes

### 665 Series Floor Boxes: 665SC



- **For concrete application**
- The 665 line is an extension of the industry-leading 664 Series; our concealed service line now allows the customer to install up to four device panels in one box
- Through the use of a unique nonmetallic wire tunnel, the installer can easily partition the power, voice/data requirements
- Four (4) device compartments can accommodate any combination of devices. For example: (3) duplex power devices and (1) duplex telephone device, or (2) voice and data connectors and (1) GFCI device and (1) blank, etc.
- Overall height of 3-1/2 in. allows for shallow pours when needed
- High-Strength polycarbonate cover with a 5/32 in. steel plate assures structural integrity
- Metallic Covers also available in solid brass and aluminum
- Four-side feed-through allows installer to feed through power or data/com service from any orientation
- Nonmetallic wire tunnels aesthetically clean. Full-width tunnel provides maximum feed-through capacity; nonmetallic material prevents conductor damage
- Total access area of 126 cu. in. allows for friendly installation of workstation cables
- Contains 28 knockouts (16 – 1-1/4 in. and 12 – 3/4 in. KOs) that provide increased flexibility when installed
- This CSA Listed, stamped-steel floor box can be installed with Thomas & Betts voice and data connector products
- Four 2-1/2 in. levelling screws provided with all boxes
- Device panels ordered separately



Cat. No.	Device Compartments (in.)				Device Access Area	Std. Ctn.
	Length	Width	Height	Area		
<b>665-SC</b>	5-3/4	2-3/4	2-1/2	40 cu. in.	126 cu. in.	1

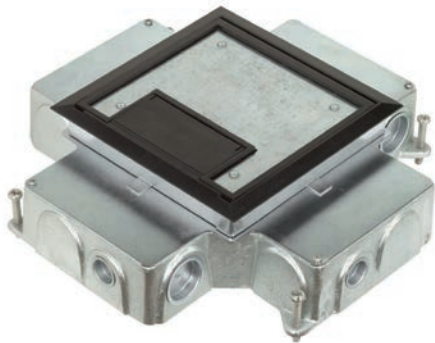
665-SC floor box does not include device plates or covers. Order separately  
Material: Pre-Galvanized Steel

## Recessed Service Floor Boxes

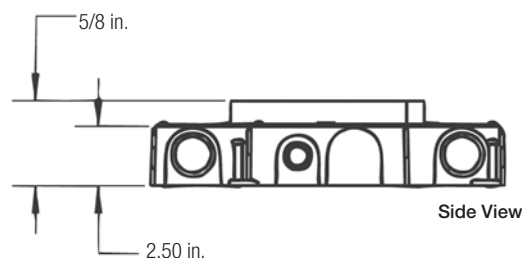
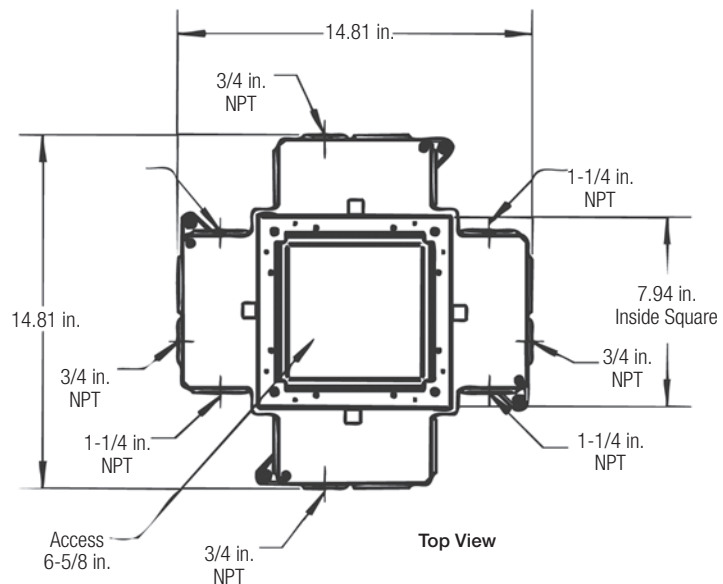
### 665 Series Floor Boxes: 665-CI

### Cast Iron for Slab-On-Grade Applications

The new Steel City® 665 Cast Iron Floor Box provides a high-capacity power and data solution for ground-floor installations. This 4-gang recessed-service floor box is ideal for **concrete slab-on-grade applications**. Removable voltage dividers enable users to customize wiring configurations by feeding two or more adjacent compartments with a single conduit. Aesthetic covers feature a recess to accept floor covering to match the surrounding floor.



- 4-gang, recessed service for a high-capacity aesthetic floor-box solution
- Removable voltage dividers between compartments enable a single conduit to feed two or more adjacent compartments
- Heavy-duty, nonmetallic covers with steel reinforcement plates are available in a wide variety of colours to match any decor (black, grey, brown and beige)
- Metallic Covers.
- Separate cord door in the cover latches firmly in the open position to prevent damage to cables
- MopTite™ covers meet UL scrub-water exclusion requirements for carpet, tile and wood
- Largest cubic-inch capacity of any cast iron recessed 4-gang floor box
- Inline 1-1/4 in. hubs allow high-capacity straight runs for communication wiring



#### Specifications

- Material: Box – Cast Iron Cover – Polycarbonate with steel reinforcement plate
- Listing: CSA and UL Listed



Cat. No.	Device Compartments (in.)				Device Access Area	Std. Ctn.
	Length	Width	Height	Area		
665-CI	5-3/4	2-3/4	2-1/2	40 cu. in.	126 cu. in.	1

665-SC floor box does not include device plates or covers. Order separately

## Recessed Service Floor Boxes

### 665 Series Floor Boxes: 665-AV2



Decora® Adapters and Keystone Inserts for GFCI Device Plates. (Not included)

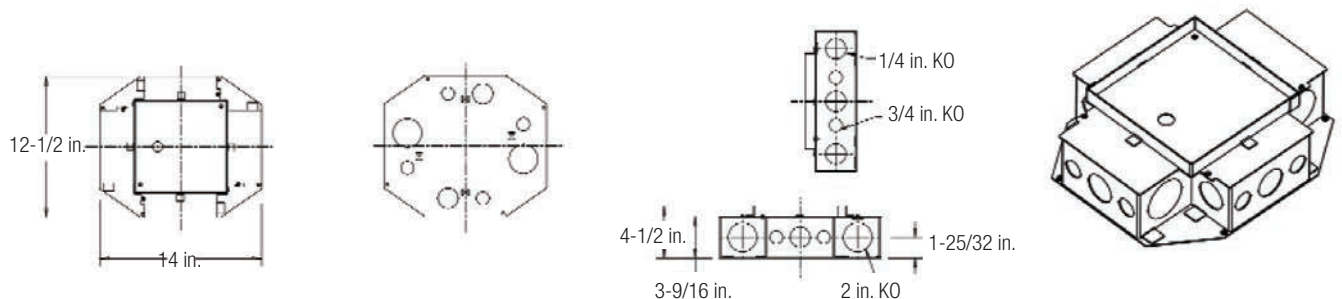
### 2 KOs for Audio Visual Applications

- For concrete application
- 2 KOs enable pre-terminated AV cables and connectors to be pulled directly through the conduit
- Accepts standard 665 Series covers and device plates for power, voice, data and audio visual connections
- Decora® style adapters allow voice, data and AV connectors to be mounted in a standard GFCI device plate
- Keystone style voice, data and AV connectors meet a wide range of low-voltage applications. All connectors are recessed for flush mounting in floor box applications.
- Device plates are available that accept Extron® MAAP plates to accommodate any AV requirements (Extron® MAAP plates purchased from an authorized Extron distributor)
- Metallic covers provide a durable, aesthetic installation, including industry-exclusive solid brass covers (not painted or plated, aluminum also available)



Cat. No.	Description	Std. Ctn.
665-AV2	4-Compartment Recessed Service Floor Box with 2 in. KOs for AV Applications	1

665-AV2 floor box does not include device plates or cover. Order separately. (see page C64)  
 Decora® is a registered trademark of Leviton Manufacturing Co., Inc.  
 Extron® is a registered trademark of RGB System, Inc.  
 For communication accessories, see page C85



### Engineering Data — 665-AV2

Cat. No.	Before Pour Adj. (in.)	After Pour Adj. (in.)	Compartment Size & Capacity (Qty. = 4)				Conduit KOs (in.)	
			Length (in.)	Width (in.)	Height (in.)	Volume	Sides	Bottom
665-AV2	2-1/2	3/4	5-3/4 5-3/4	3-3/4 2-3/4	3-3/8 3-3/8	72 cu. in. 52 cu. in.	(4) 2 (8) 1-1/4 (8) 3/4	(2) 2 (2) 1-1/4 (4) 3/4



## Recessed Service Floor Boxes

### Metallic Covers for 665 Series Floor Boxes



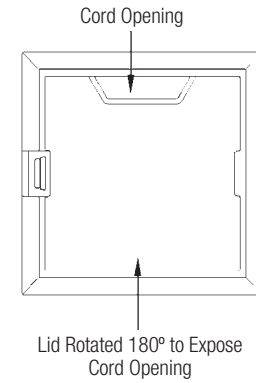
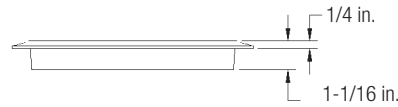
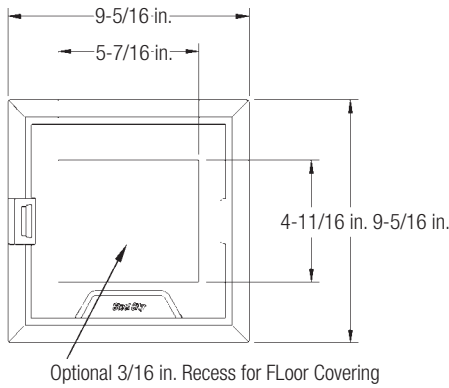
**665-CST-M-BRS**  
Solid Brass



**665-CST-M-ALM**  
Solid Aluminum



**665-CST-M-BLK**  
Solid Black



Cat. No.	Description	Load Rating (lb.)	Std. Ctn.
<b>665-CST-M-BRS</b>	Solid Brass	1,500	1
<b>665-CST-M-ALM</b>	Solid Aluminum		
<b>665-CST-M-BLK</b>	Solid Black		

## Recessed Service Floor Boxes

### Nonmetallic Covers for 665 Series Floor Boxes



**665-CST-SW-BLK**  
Black Nonmetallic Cover



**665-CST-SW-GRY**  
Grey Nonmetallic Cover

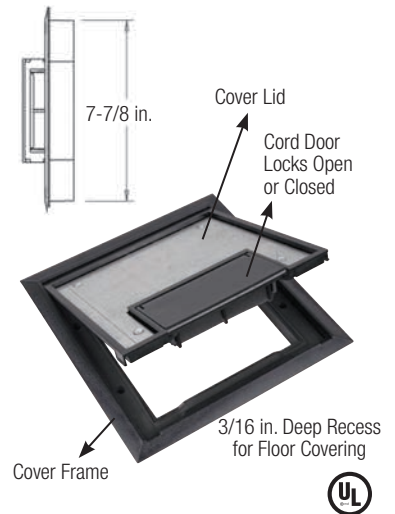
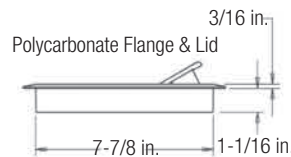
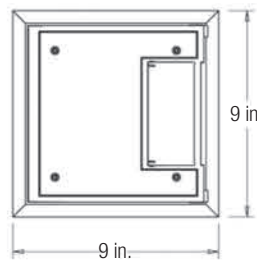


**665-CST-SW-BGE**  
Beige Nonmetallic Cover



**665-CST-SW-BRN**  
Brown Nonmetallic Cover

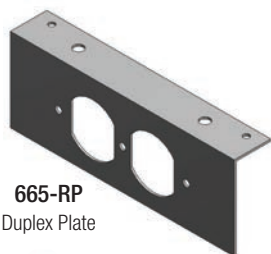
5/32 in. Steel Top Plate on Lid. Carpet or Tile can be glued to Top Plate



Cat. No.	Colour	Description	Std. Ctn.
<b>665-CST-SW-BLK</b>	Black	Nonmetallic Cover for 665 Series Floor Boxes	1
<b>665-CST-SW-GRY</b>	Grey		
<b>665-CST-SW-BGE</b>	Beige		
<b>665-CST-SW-BRN</b>	Brown		

Material: Polycarbonate with 5/32 in. steel plate  
Furnished with (4) #8-32 x 5/8 in. mounting screws

### Devices Plates and Accessories for 665 Series Floor Boxes



**665-RP**  
Duplex Plate



**665-GP**  
GFCI Plate



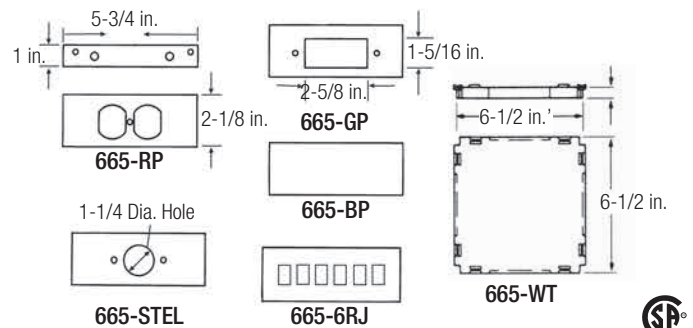
**665-BP**  
Blank Plate



**665-6RJ**  
Data Plate for 6 Keystone Jacks



**665-WT**  
Wire Tunnel for 665-AV2 feeds multiple compartments from a single conduit (one included with each 665-AV2)

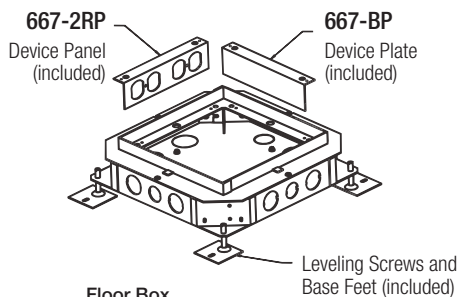
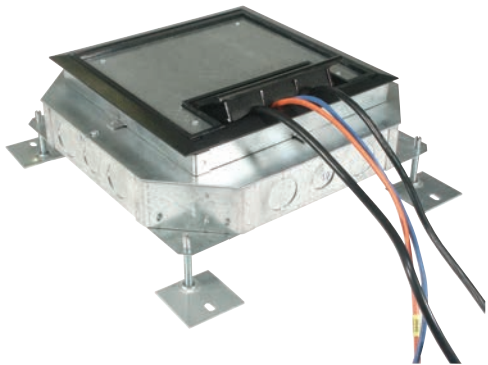


Cat. No.	Description	Std. Ctn.
<b>665-RP</b>	Duplex Plate for 665 Series	4
<b>665-GP</b>	GFCI Plate for 665 Series	
<b>665-BP</b>	Blank Plate for 665 Series	
<b>665-6RJ</b>	Data plate for 665 Series, Accepts 6 Keystone Jacks	
<b>665-WT</b>	Replacement Wire Tunnel for 665-SC & 665-AV2	
<b>665-STEL*</b>	Telephone/data Plate for 665	

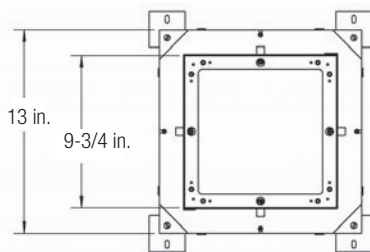
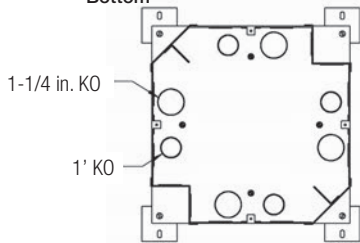
\*Not CSA applicable  
Each box requires (4) device plates. Material: Pre-galvanized steel.

## Recessed Service Floor Boxes

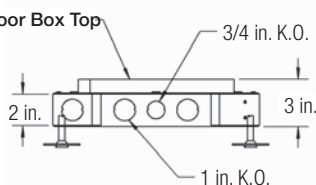
### 667-SC Floor Box



Floor Box Bottom



Floor Box Top



- **For concrete application**
- Largest capacity concealed-service floor box on the market.
  - Four “double-gangs” allow for two duplex receptacles per gang, for a total of eight receptacles per box
  - Each gang has 40 cu. in. of capacity
  - Box interior has 128 cu. in. of capacity
- Standard box configuration is for up to eight power and/or low-voltage devices
  - Box design allows for feed-through cabling for power and low-voltage conductors
- Shallow design
  - 3 in. overall height is ideal for renovations and upper level floor installations
- Full line of low-profile covers
  - Utilizes same quality cover as AFM-8 Access Floor Module
  - High-strength polycarbonate
  - Steel reinforced for added durability
  - Two receptacle cable exit ports
  - 64 sq. in. opening provides easy access to device panels
  - 1/4 in. recess for carpet/tile insert
  - Available in grey, black, brown and beige
- Box is manufactured with (1) 3/4 in., (3) 1 in. and (1) 1-1/4 in. KOs per gang.– This includes a 1 in. and 1-1/4 KO located in the bottom
- Full complement of device panels
  - Device panels available with one or two duplex openings, one or two GFCI openings, six standard “keystone” with Omni 110 bezels and blanks
- Provided with leveling legs and base feet
  - Base feet can be attached to form preventing box movement during concrete pour.
  - Leveling legs provide up to 1-1/2 in. pre-pour adjustment
- Manufactured from 14-gauge pre-galvanized steel
  - Quality construction provides added durability and rust protection
- MopTite™ covers meet UL scrub-water exclusion requirements for carpet, tile and wood

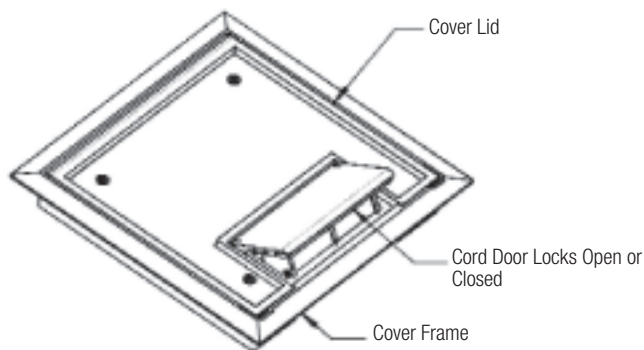
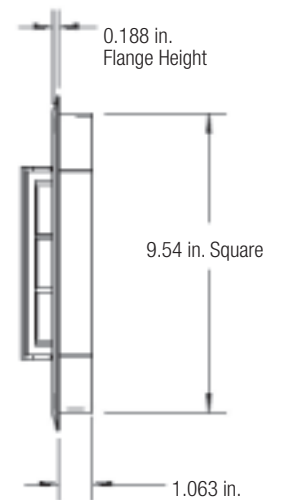
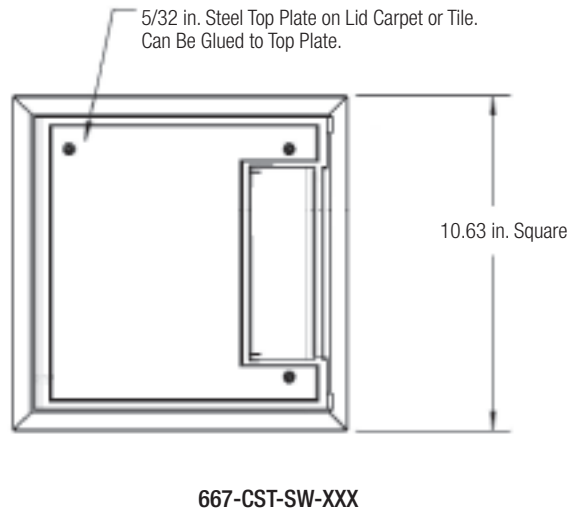
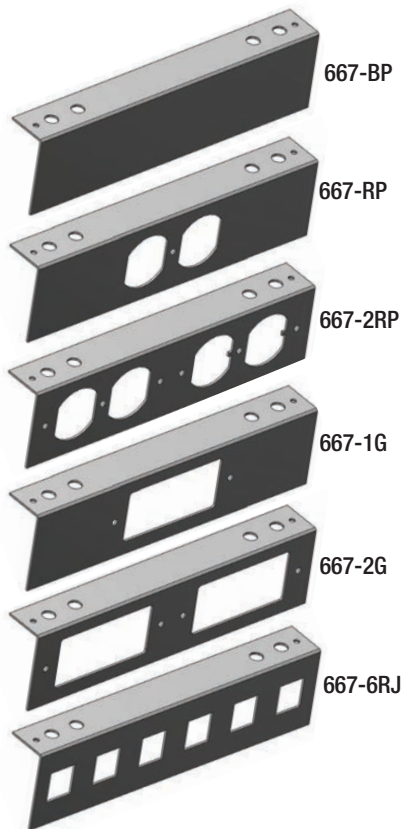


Cat. No.	Description	Std. Ctn.
667-SC	Four-Gang Recessed Floor Box	4

Supplied with (1) 667-2RP for 2 duplex receptacles and (1) 667-BP Blank Plate. For covers and other device plates, see page C57. For communications accessories, see page C85

## Recessed Service Floor Boxes

### 667-SC Floor Box



Cat. No.	Description	Std. Ctn.
667-BP*	Blank Device Panel	4
667-RP*	Single Duplex Receptacle Plate	
667-2RP*	Device Panel for 2 Duplex Receptacles with Duplex KOs	
667-1G	Device Panel for 1 GFCI Receptacle	
667-2G	Device Panel for 2 GFCI Receptacles	
667-6RJ**	Device Panel for 6 Keystone Data Jacks	
667-CST-SW-GRY*	Cover and Flange – Grey	
667-CST-SW-BLK*	Cover and Flange – Black	
667-CST-SW-BRN*	Cover and Flange – Brown	
667-CST-SW-BGE*	Cover and Flange – Beige	

\* Not CSA Certified

\*\* For data connectors and adapters, see pages C89 – C90

New MopTite™ Covers exceed UL scrub-water exclusion requirements

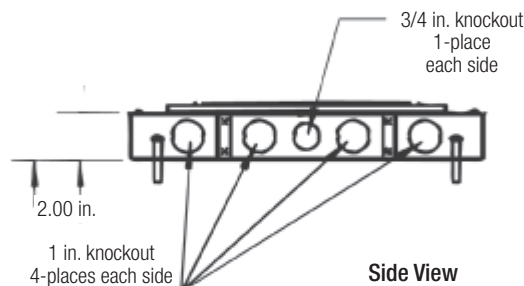
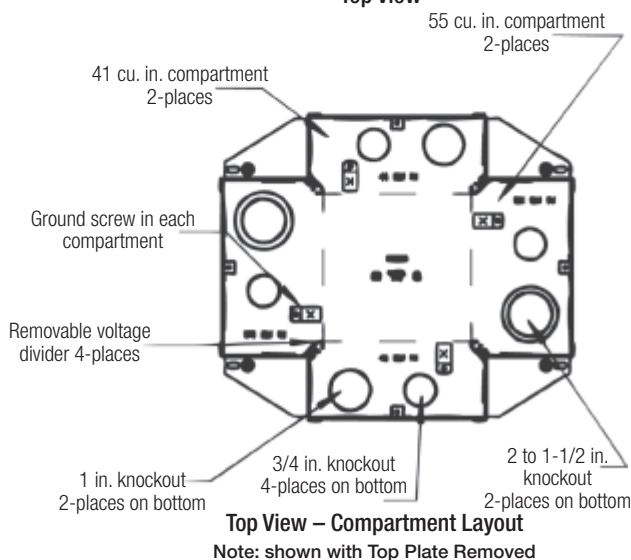
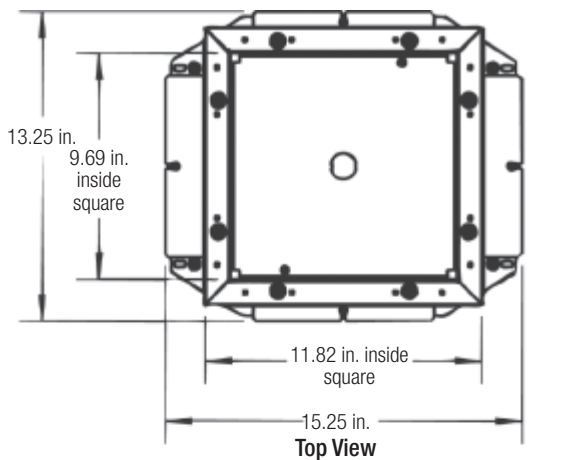
## Recessed Service Floor Boxes

### 668-S Ultra-Shallow Floor Box



The 668-S Ultra-Shallow Floor Box from Thomas & Betts provides a high-capacity power and data solution for shallow **concrete floors**. The low-profile 4-gang box is constructed of galvanized stamped steel. Removable voltage dividers enable users to customize wiring configurations by feeding two or more adjacent compartments with a single conduit. Metallic covers with durable powder-coat finish are designed to match any decor, while optional edge trims enable covers to be mounted completely flush with the floor in tile or wood floor applications.

- Low profile (2-1/2 in. height) for shallow concrete pours
- 4-gang, recessed service for a high-capacity, aesthetic floor box solution
- Stamped-steel box construction
- Removable voltage dividers between compartments enable a single conduit to feed two or more adjacent compartments
- Metallic covers feature durable powder-coat paint to match any decor (black, grey, brown and beige)
- Heavy-duty cord door in the cover latches firmly in the open position to prevent damage to cables
- Optional tile trim enables flush mounting for tile and wood floor applications
- MopTite™ covers meet UL scrub-water exclusion requirements for carpet, tile and wood
- Largest cubic-inch capacity of any shallow, recessed 4-gang floor box
- Additional KOs (up to 2 in.) on the bottom of the box enable installation flexibility
- Custom device panels are available – contact your Regional Sales Office about these offerings



### Specifications

- Material: Box – Galvanized Steel Cover – Die-Cast Zinc
- Listing: CSA and UL Listed



Cat. No.	Description	Std. Ctn.
<b>668-S</b>	Shallow, concealed service Floor Boxes	4

For covers and other device plates, see page C69  
For communications accessories, see page C85



## Recessed Service Floor Boxes

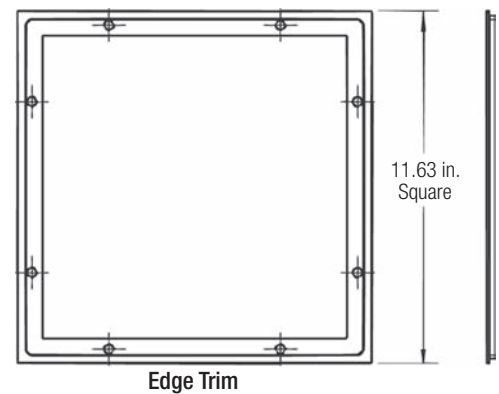
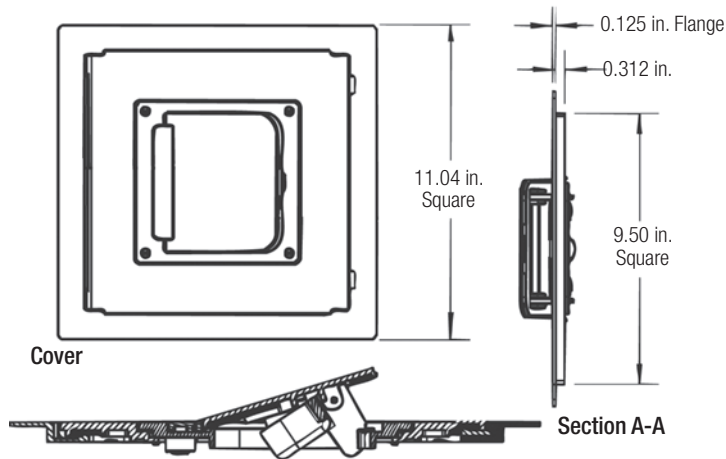
### Covers & Tile Trims for 668-S Floor Box



Standard mounting configuration: Flange on cover overlaps carpet, tile or wood floors.



Flush mounting configuration. Optional trim ring allows cover to be mounted flush with tile or wood floors.



Cat. No.	Description	Std. Ctn.
<a href="#">668-CST-ALM</a>	Metal Cover – Aluminum Powder Coat	1
<a href="#">668-CST-BRS</a>	Metal Cover – Brass Powder Coat	
<a href="#">668-CST-BLK</a>	Metal Cover – Black Powder Coat	
<a href="#">668-CST-BRN</a>	Metal Cover – Brown Powder Coat	
<a href="#">668-CST-BGE</a>	Metal Cover – Beige Powder Coat	

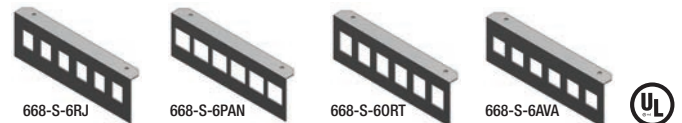
Cat. No.	Description	Std. Ctn.
<a href="#">668-TRIM-ALM</a>	Edge Trim – Aluminum Powder Coat	4
<a href="#">668-TRIM-BRS</a>	Edge Trim – Brass Powder Coat	
<a href="#">668-TRIM-BLK</a>	Edge Trim – Black Powder Coat	
<a href="#">668-TRIM-BRN</a>	Edge Trim – Brown Powder Coat	
<a href="#">668-TRIM-BGE</a>	Edge Trim – Beige Powder Coat	

CSA non applicable

### Device Plates for 668-S Floor Box



Cat. No.	Description	Std. Ctn.
<a href="#">668-S-1RP</a>	Single-Gang Duplex Plate	1
<a href="#">668-S-1G</a>	Single-Gang GFCI Plate	
<a href="#">668-S-BP</a>	Blank Plate	



Cat. No.	Description	Std. Ctn.
<a href="#">668-S-6RJ</a>	Data Plate – 6 Keystone Jacks	1
<a href="#">668-S-6PAN</a>	Data Plate – 6 Panduit® Jacks	
<a href="#">668-S-6ORT</a>	Data Plate – 6 Ortonics® Jacks	4
<a href="#">668-S-6AVA</a>	Data Plate – 6 Avaya® Jacks	

CSA non applicable