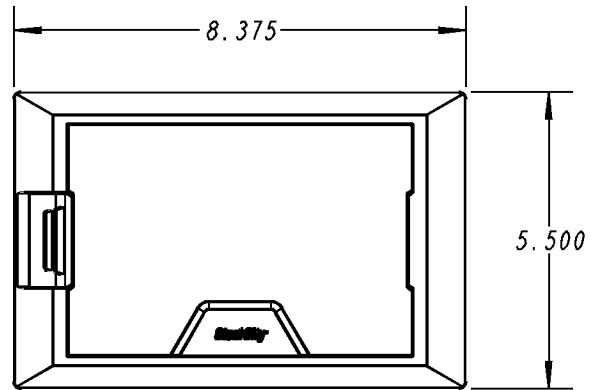
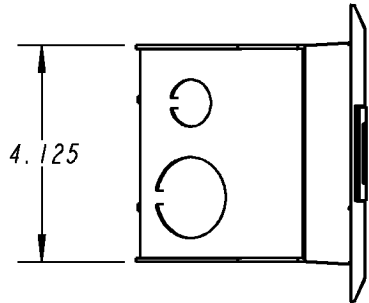




Steel City



AFM-2 SERIES ACCESS FLOOR MODULE WITH METALLIC COVERS



CATALOG NUMBERS:
AFM-2-ALM (ALUMINUM)
AFM-2-BRS (BRASS)

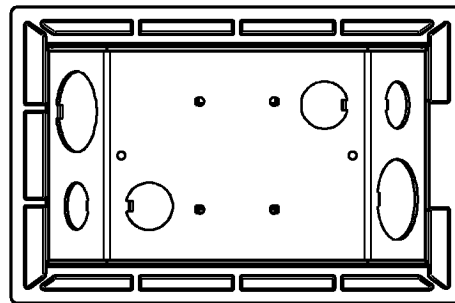
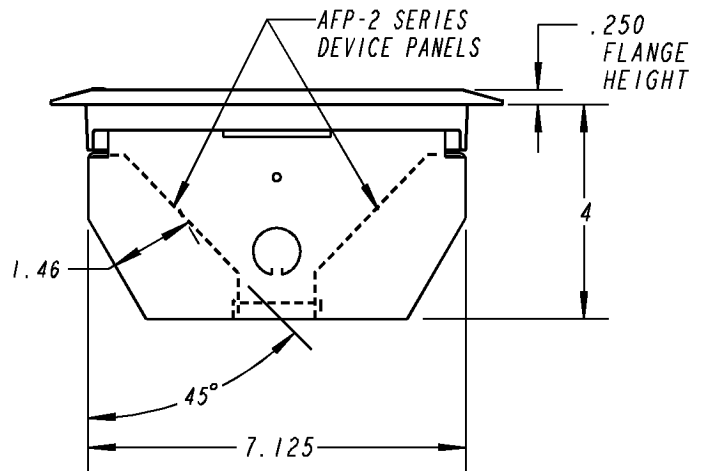
FEATURES:

AFM FLOOR BOX:

- ALL STEEL CONSTRUCTION. 14 GA. GALVANIZED STEEL.
- AFM BOX DEPTH OF 4 INCHES.
- 7-1/8" X 4-1/8" ACCESS FLOOR CUT OUT.
- BOX VOLUME AT 75 CUBIC INCHES (LESS DEVICE PANELS).
- DEVICE COMPARTMENT VOLUME AT 16.2 CUBIC INCHES.
- ONE AFP-2A POWER PANEL AND ONE CLOSURE PANEL INCLUDED.
- MAXIMUM NUMBER OF 2 DEVICE PANELS.
 (1) 1/2" K.O AND (1) 1.5" DIA.K.O ON EACH END,
 (1) 1/2" K.O. ON EACH SIDE,
 (2) 1/2" K.O.'s ON BOTTOM.
- (2) GROUND SCREWS INCLUDED.

METALLIC COVER:

- METALLIC FLOOR BOX COVER DESIGNED FOR USE WITH 664 SERIES CONCEALED FLOOR BOXES.
- MADE FROM SOLID BRASS AND ALUMINUM.
- MOPTIGHT WITH FACTORY INSTALLED GASKETS. MEETS UL SCRUB-WATERS REQUIREMENTS FOR TILE, CARPET AND WOOD FLOORS.
- LID CAN BE ROTATED TO ALLOW FOR OPEN ACCESS OF CORD SLOT. LID IS ATTACHED WITH A 6-INCH INSULATED WIRE LANYARD.
- 2,250-LB MAXIMUM LOAD CAPACITY.



GENERAL NOTES

1. ALL DIMENSIONS ARE FOR REFERENCE ONLY.
2. DIMENSIONS IN BRACKETS [] ARE IN METRIC UNITS.

REVISIONS

** SEE ERN (****) FOR APPROVAL SIGNATURES & RELEASE DATE.
 PROJECT NO: ****

Thomas & Betts
 www.tnb.com

DESCRIPTION:

**AFM-2 SERIES ACCESS FLOOR
 MODULE WITH METALLIC COVER**

ORIGINAL PROJECT NO / (ERN NO)

UD55751 / (2010885)

SHEET NO:

1 OF 2

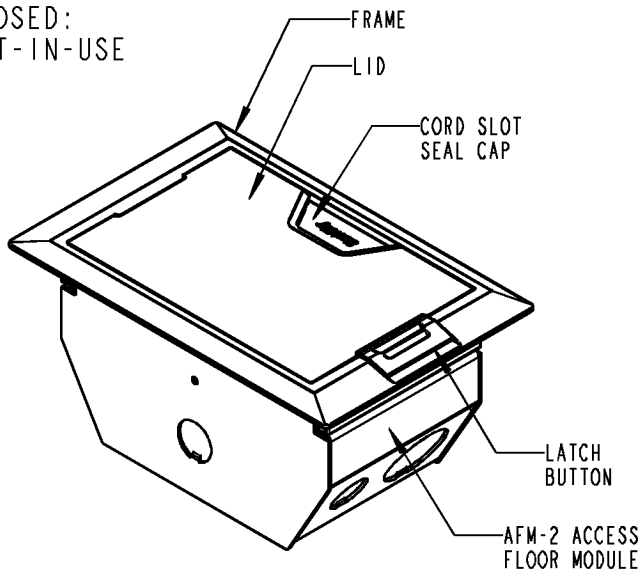
REV. NO:

-

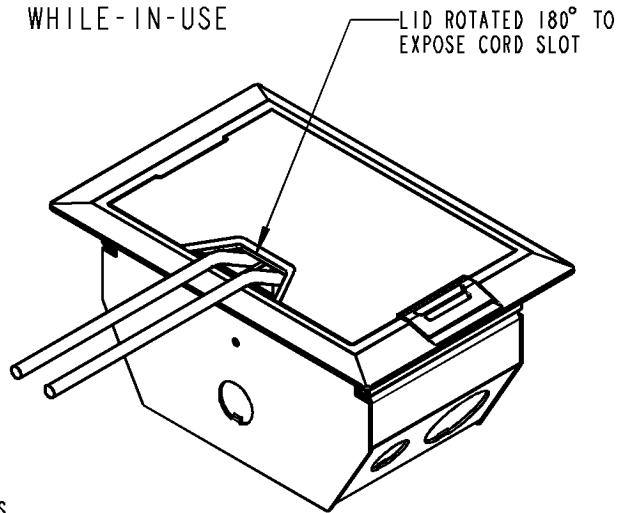
DRAWING NO:

WSD-000513

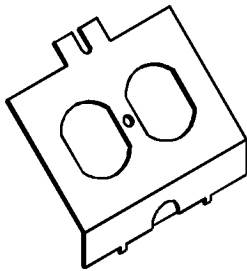
CLOSED:
NOT-IN-USE



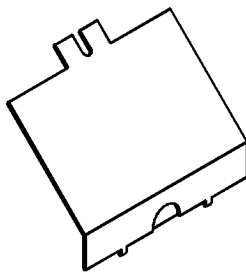
CLOSED:
WHILE-IN-USE



POWER
PANELS

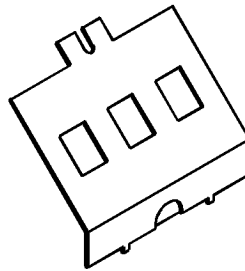


AFP-2A
SINGLE DUPLEX
(ONE SUPPLIED
WITH BOX)



AFP-2B
BLANK

DATA
PANELS

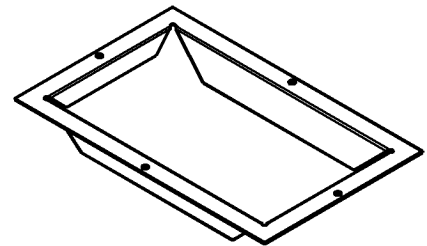


AFD-2 3RJ
3 T&B OMNIJACKS OR
KEYSTONE-STYLE JACKS

ACCESSORIES



AFT-2
POWER TUNNEL



AFR-2 **
MOUNTING FLANGE

**

USED TO CORRECT OPENING IN
FLOOR. NOT REQUIRED FOR ALL
INSTALLATIONS.

- NOTES:
1. SPECIAL PANELS
AVAILABLE - CONSULT
FACTORY.
2. DEVICES NOT INCLUDED.

Thomas & Betts
www.tnb.com

DESCRIPTION:

**AFM-2 SERIES ACCESS FLOOR
MODULE WITH METALLIC COVER**

SHEET NO:
2 OF 2

REV. NO:
-

DRAWING NO:
WSD-000513