

## Access Floor Modules



Steel City® Access Floor Modules from Thomas & Betts eliminate the clutter of power, voice and data lines by keeping everything out of sight but conveniently close at hand. Our easy-to-

install Access Floor Modules are designed to blend with any décor, while providing the durability and versatility you need to meet the growing demands of today's high-tech offices. You can use our Access Floor Modules with virtually any type of raised floor. Our system is designed to provide a simple, strong and adaptable solution to even the most demanding wire-management needs.

### Range of Box Sizes Designed to Meet the Needs of any Application. Now and Later.

With six sizes to choose from, our Access Floor Modules handle a broad range of wiring needs, from single power lines to complex data and voice systems. In fact, our largest unit offers 325 cu. in. of space, making it the roomiest in the industry. And, because our modules are easy to install and relocate, you can easily change box sizes or reposition modules as office configurations change.

### New, Low-Profile Box Fits Right In with Shallower Raised Floors.

For installations where shallower raised floors are needed, Thomas & Betts has developed a low-profile Access Floor Module to provide the same accessibility and convenience where space is a premium. Just 2-1/2 inches deep, it can still accommodate a variety of power, voice and data connections.



### Wide Variety of Interchangeable Power and Data Panels Adapt to Changing Demands.

Our extensive line of panels and connection devices maximize the versatility of our Access Floor Modules. All our panels are designed to be easy to connect, disconnect and rearrange to reduce on-site installation time. And Thomas & Betts is continually developing new configurations to meet the requirements of virtually any installation, especially for the fast-growing needs of voice and data communication.

### Durable, Solid Steel Covers Support Heavy Loads to Protect Important Connections.

We've reinforced the resilient nylon covers of our modules with a 5/32 in. steel plate to prevent buckling under heavy furniture and equipment. The beveled sides enable quick and unobstructed installation in the raised floor.

In addition, our retractable exit not only helps prevent tripping, but protects cable connections by sealing out dust and debris. And, as with all Thomas & Betts products, our Access Floor Modules are constructed to meet our high standards for durability, safety and reliability.

### Steel City® Access Floor Modules Provide Outstanding Performance Without Standing Out.

The hinged service top on our modules sits flush with the floor and provides complete access to the connections within. The nylon frame comes in grey, brown, beige and black.

Our Access Floor Modules keep wire connections close-at-hand but not under foot. The widest variety of box sizes, panels and devices in the industry provides exceptional versatility for changing office needs. Look below the surface and see how Steel City® Access Floor Modules can manage all your power, voice and data connections – today and tomorrow.

## Access Floor Modules

### AFM-2 Series Access Floor Module – Nonmetallic Covers

#### Specifications



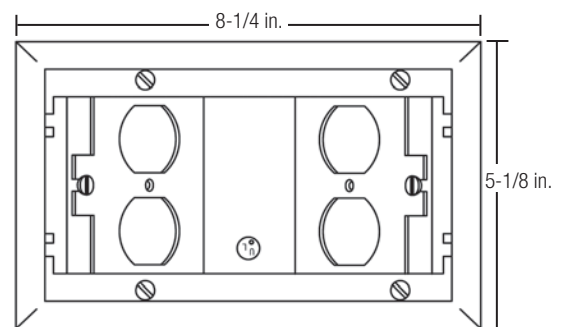
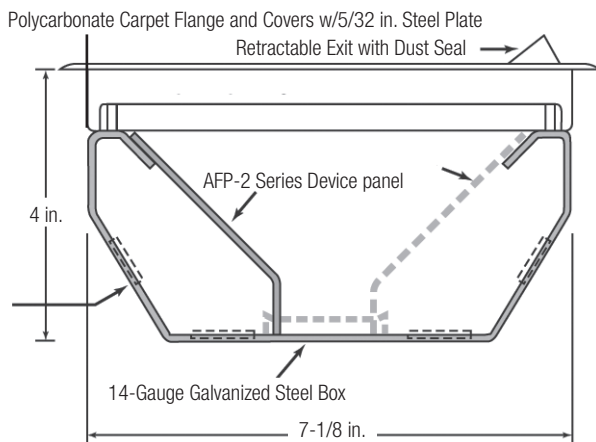
Access Floor Module Size	AFM-2
AFM Depth	4 in.
Access Floor Cut-Out	7-1/8 in. x 4-1/8 in.
AFM Cover Size	6-3/4 in. x 3-7/8 in.
AFM Cover Access Area	17 sq. in.
Box Volume (Less Panels)	75 cu. in.
Device Compartment Volume	45° 16.2 cu. in.
Power Panel Included	AFP-2A
Cover/Carpet Flange Material	Nylon-6
Body Material	14 gauge galvanized steel
Max. No. of Device Panels	2

Devices not included  
Nylon carpet flange available in Black, Grey, Brown or Beige

	POWER PANELS		DATA PANELS		ACCESSORIES	
<b>AFM-2-BLK</b> <b>AFM-2-GRY</b> <b>AFM-2-BRN</b> <b>AFM-2-BGE</b>					<b>AFT-2</b> Power tunnel	
	<b>AFP-2A*</b> Single duplex	<b>AFP-2B</b> Blank	<b>AFD-2J</b> 1 IBM set	<b>AFD-2 3RJ</b> Keystone style jacks	<b>AFR-2**</b> Mounting flange	

\*(1) supplied with box

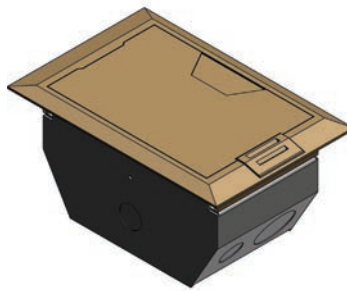
\*\* Used to correct opening in floor. Not required for all installations



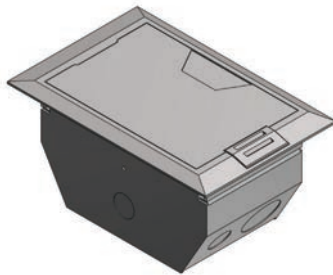
Shown with supplied power panel and optional panel (sold separately)

## Access Floor Modules

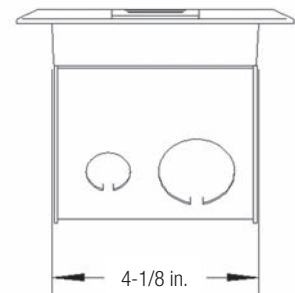
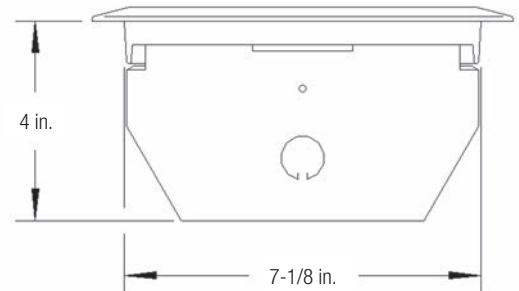
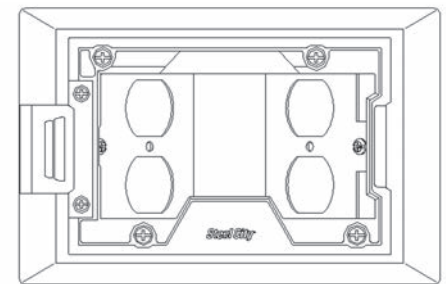
### AFM-2 Series Access Floor Module – Metallic Covers



AFM-2-BRS



AFM-2-ALM



### Specifications



Access Floor Module Size	AFM-2
AFM Depth	4 in.
Access Floor Cut-Out	7-1/8 in. x 4-1/8 in.
AFM Cover Size	6-3/4 in. x 3-7/8 in.
AFM Cover Access Area	17 sq. in.
Box Volume (Less Panels)	75 cu. in.
Device Compartment Volume	45° 16.2 cu. in.
Power Panel Included*	AFP-2A
Cover/Carpet Flange Material	Brass, Aluminum
Body Material	14 gauge galvanized steel
Max. No. of Device Panels	2

Prewiring available: Special panels available – consult your Regional Sales Office  
 Replacement covers: See 664 Series covers on pages C49-C50

### AFM-2 Series Raised Floor Boxes

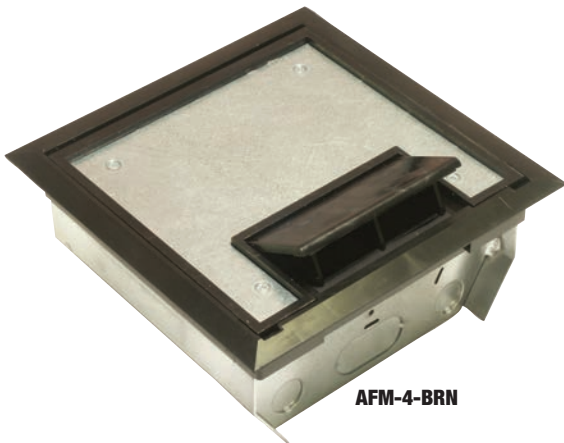


Cat. No.	Description	Std. Ctn.
<b>AFM-2-BRS</b>	AFM-2 Raised Floor Box, 2 Compartments, Solid Brass Cover	1
<b>AFM-2-ALM</b>	AFM-2 Raised Floor Box, 2 Compartments, Solid Aluminum Cover	

## Access Floor Modules

### AFM-4 Series Access Floor Module – Nonmetallic Covers

#### Specifications



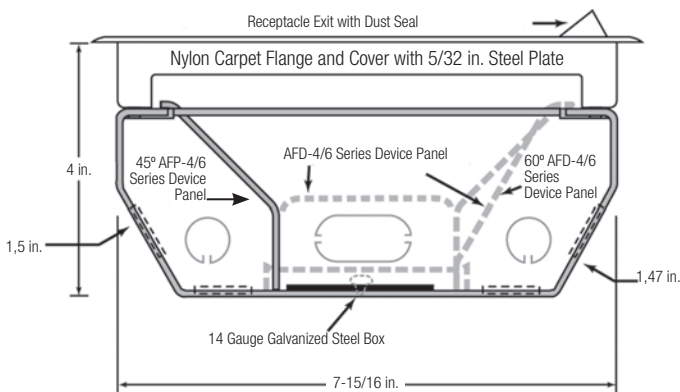
Access Floor Module Size	AFM-4
AFM Depth	4 in.
Access Floor Cut-Out	7-15/16 in. x 7-15/16 in.
AFM Cover Size	7-5/8 in. x 7-5/8 in.
AFM Cover Access Area	39 sq. in.
Box Volume (Less Panels)	150 cu. in.
Device	45° Power 27.3 cu. in. 60° Power 25.2 cu. in.
Compartment	Center Data 20.6 cu. in.
Volume	Power – Data –
Base Opening	2 in. x 2-7/8 in.
Power Panel Included	AFP-4A
Cover/Carpet Flange Material	Nylon-6
Body Material	14 gauge galvanized steel
Max. No. of Device Panels	3

Devices not included  
Nylon carpet flange available in Black, Grey, Brown or Beige

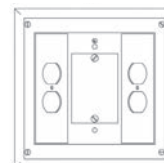
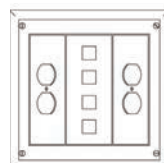
POWER PANELS			DATA PANELS		ACCESSORIES	
<b>AFM-4-BLK</b> <b>GRY</b> <b>BRN</b> <b>BGE</b>	<b>AFP-4A*</b> Single duplex-45°	<b>AFP-4A60</b> Single duplex-60°	<b>AFP-4-GFCI</b> Single GFCI-60°	<b>AFD-4A</b> Single duplex data	<b>AFD-4B</b> Blank	<b>AFT-46</b> Power tunnel
	<b>AFP-4B</b> Blank-45°	<b>AFP-4B60</b> Blank-60°			<b>AFD-4-4RJ</b> Keystone style jacks	<b>AFR-4**</b> Mounting flange
						<b>AFC-N</b> Grommeted closure panel
						<b>AFM-4EX</b> Extension collar

\*(1) supplied with box

\*\* Used to correct opening in floor. Not required for all installations



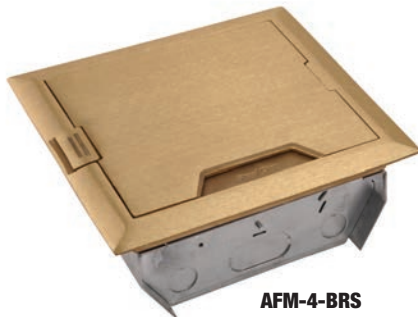
Shown with supplied power panel and optional data panel (sold separately)



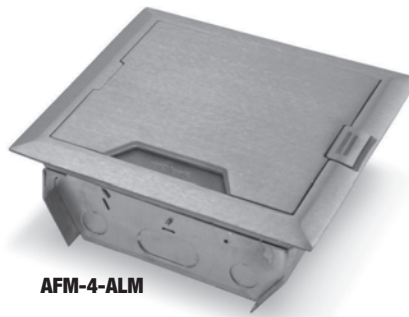
Shown with optional 60° power panels (sold separately)

## Access Floor Modules

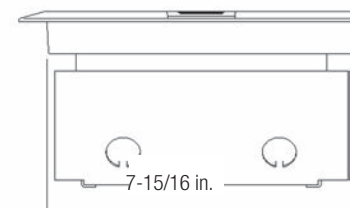
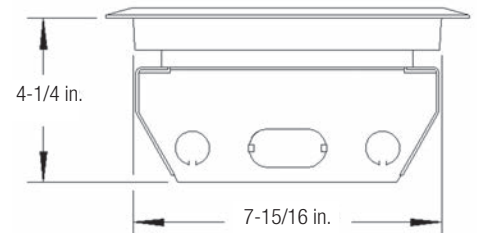
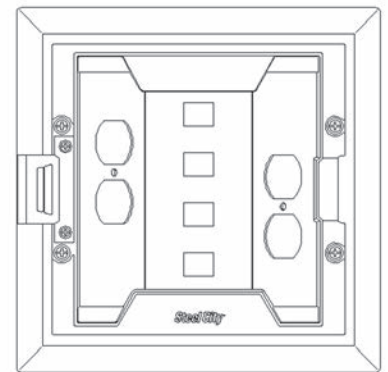
### AFM-4 Series Access Floor Module – Metallic Covers



**AFM-4-BRS**



**AFM-4-ALM**



### Specifications



Access Floor Module Size	AFM-4	
AFM Depth	4 in.	
Access Floor Cut-Out	7-15/16 in. x 7-15/16 in.	
AFM Cover Size	7-5/8 in. x 7-5/8 in.	
AFM Cover Access Area	39 sq. in.	
Box Volume (Less Panels)	150 cu. in.	
Device	45° Power 60° Power	27.3 cu. in. 25.2 cu. in.
Compartment	Center Data	20.6 cu. in.
Volume	Power Data	– –
Base Opening	2 in. x 2-7/8 in.	
Power Panel Included	AFP-4A	
Cover/Carpet Flange Material	Brass, Aluminum	
Body Material	14 gauge galvanized steel	
Max. No. of Device Panels	3	

Devices not included

### AFM-4 Series Raised Floor Boxes

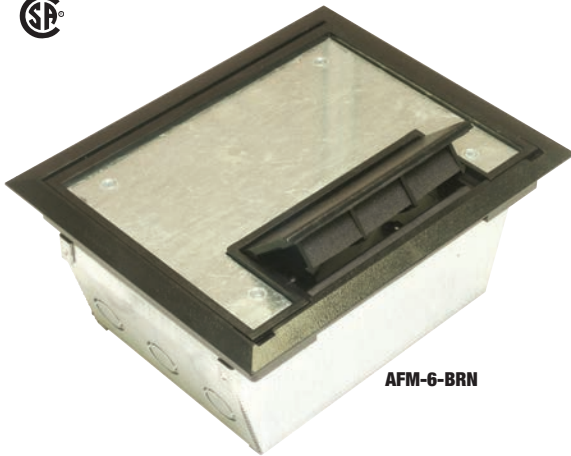
Cat. No.	Description	Std. Ctn.
<a href="#">AFM-4-BRS</a>	AFM-4 Raised Floor Box, 4 Compartments, Solid Brass Cover	1
<a href="#">AFM-4-BRS-R*</a>	AFM-4 Raised Floor Box, 4 Compartments, Solid Brass Cover with Recess	
<a href="#">AFM-4-ALM</a>	AFM-4 Raised Floor Box, 4 Compartments, Solid Aluminum Cover	
<a href="#">AFM-4-ALM-R*</a>	AFM-4 Raised Floor Box, 4 Compartments, Solid Aluminum Cover with Recess	

\*Not CSA Certified



## Access Floor Modules

### AFM-6 Series Access Floor Module



**AFM-6-BRN**





### Specifications

Access Floor Module Size	AFM-6	
AFM Depth	4 in.	
Access Floor Cut-Out	7-15/16 in. x 10 in.	
AFM Cover Size	7-5/8 in. x 9-3/4 in.	
AFM Cover Access Area	60 sq. in.	
Box Volume (Less Panels)	225 cu. in.	
Device	45° Power	41.5 cu. in.
Compartment	60° Power	38.3 cu. in.
Volume	Center Data	31.3 cu. in.
Base Opening	2 in. x 2-7/8 in.	
Power Panel Included	AFP-6Q	
Cover/Carpet Flange Material	Nylon-6	
Body Material	14 gauge galvanized steel	
Max. No. of Device Panels	3	

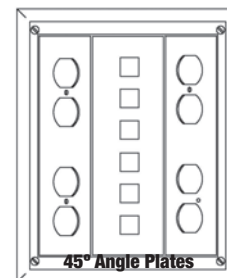
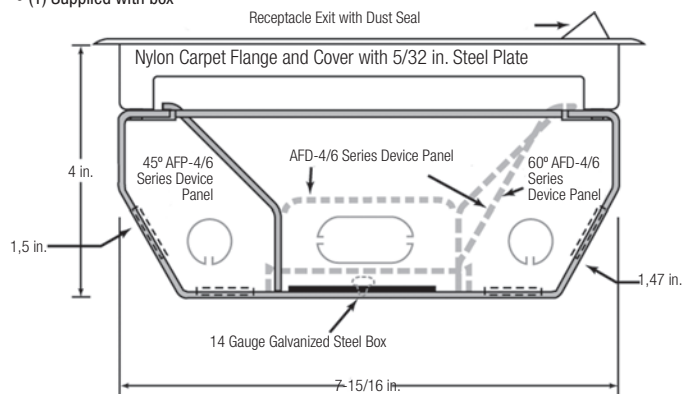
Devices not included. Nylon carpet flange available in Black, Grey, Brown or Beige

## Access Floor Modules

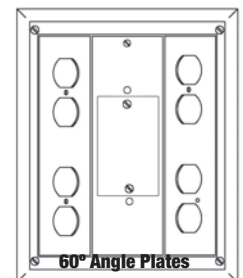
### AFM-6 Series Access Floor Module

	POWER PANELS		DATA PANELS		ACCESSORIES	
<b>AFM-6-BLK</b> <b>AFM-6-GRY</b> <b>AFM-6-BRN</b> <b>AFM-6-BGE</b>	<b>AFP-6Q*</b> Double duplex-45°	<b>AFP-6B</b> Blank-45°	<b>AFD-6Q</b> Double duplex data	<b>AFD-6M</b> 2 Telephone - 4 coax	<b>AFT-46</b> Power tunnel	
	<b>AFP-6A</b> Single duplex-45°	<b>AFP-6B60</b> Blank-45°	<b>AFD-6L*</b> 2 IBM sets	<b>AFD-6B*</b> Blank	<b>AFR-4**</b> Mounting flange	
	<b>AFP-6R60</b> Double duplex-60°	<b>AFP-6-GFCI</b> Double GFCI-60°	<b>AFD-6K</b> 2 Telephone	<b>AFD-6 6RJ</b> Keystone style jacks 6	<b>AFC-N</b> Grommeted closure panel	
	<b>AFP-6A60*</b> Single duplex-60°	<b>AFP-6-GFCI-45*</b> Double GFCI-45°		<b>AFD-6A*</b> Single duplex	<b>AFM-6EX*</b> Extension collar	

\* Not CSA Certified \*\* Used to correct opening in floor. Not required for all installations  
 • (1) Supplied with box



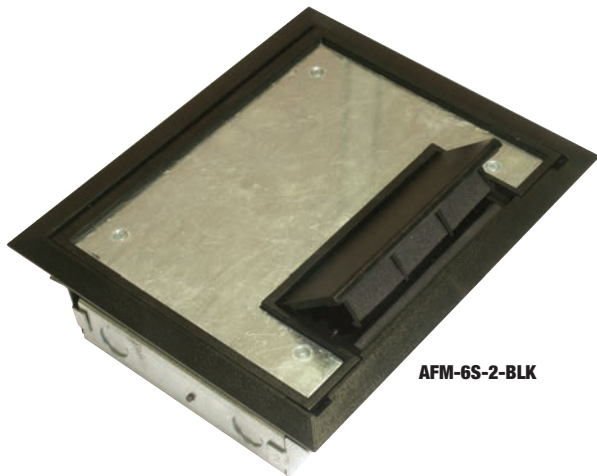
45° Angle Plates  
 Shown with Supplied Power Panel and Optional Data Panel and 45° Power Panel (sold separately)



60° Angle Plates  
 Shown with optional 60° Panels (sold separately)

## Access Floor Modules

### AFM-6S-2 Series Access Floor Module



AFM-6S-2-BLK

### Specifications



Access Floor Module Size		AFM-6S-2
AFM Depth		2-1/2 in.
Access Floor Cut-Out		7-15/16 in. x 10 in.
AFM Cover Size		7-5/8 in. x 9-3/4 in.
AFM Cover Access Area		60 sq. in.
Box Volume (Less Panels)		172 cu. in.
Device compartment volume	Power	13.1 cu. in.
	Data	6.6 cu. in.
Base opening		—
Power panels included**		AFP-6S2-L, AFP-6S2-R
Wire tunnel included		—
Cover/carpet flange material		Polycarbonate
Body material		14-gauge galvanized steel
Prewiring available		Yes*
Max. no. of device panels		4

\*Special panels available — Contact your Regional Sales Office

\*\*Devices not included

Available with black (-BLK), brown (-BRN), beige (-BGE) or grey (-GRY) cover flange

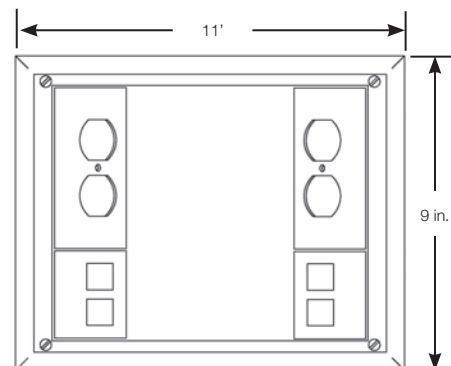
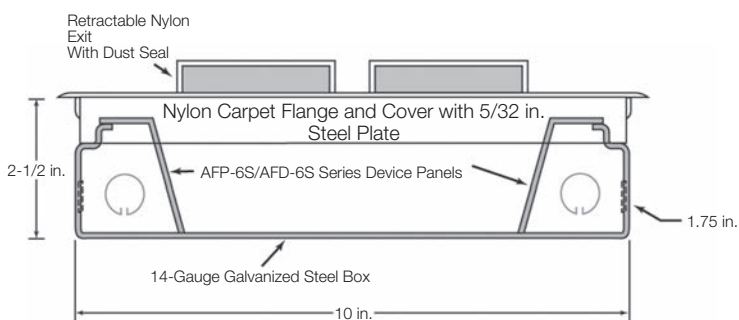
Replacement cover: AFM-6-CST-SW black (-BLK), brown (-BRN), beige (-BGE)

or grey (-GRY) cover flange



	POWER PANELS		DATA PANELS		ACCESSORIES
AFM-6S2-BLK AFM-6S2-BRN AFM-6S2-BGE	<b>AFP-6S2-R (L)</b> Single duplex (R-right side; L-left side)		<b>AFD-6S2-2RJ*</b> Keystone style jacks		<b>AFD-6S2-B*</b> Blank
	<b>AFP-6S2-GR (-GL)</b> Single GFCI				
	<b>AFP-6S2-BR (-BL)*</b> Blank				
					<b>AFR-6</b> Mounting flange  Used to connect opening in floor. Not required for all installations

\*Not CSA Certified



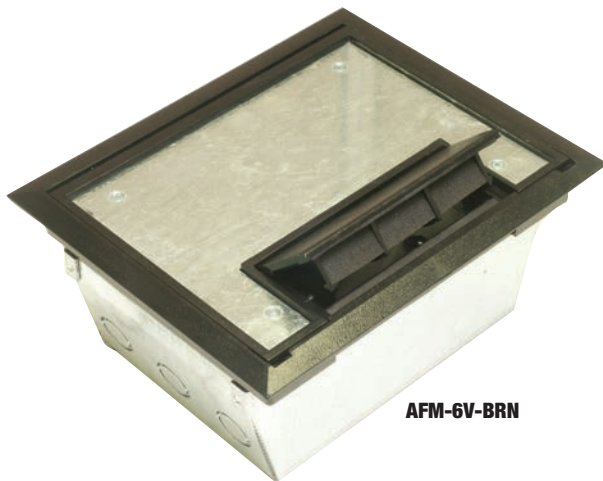
AFM-6S2

Shown with supplied power panels and optional panels (sold separately)



## Access Floor Modules

### AFM-6V Series Access Floor Module



AFM-6V-BRN

### Specifications



Access Floor Module Size	AFM-6V
AFM Depth	4.70 in.
Access Floor Cut-Out	7-15/16 in. x 10 in.
AFM Cover Size	7-5/8 in. x 9-3/4 in.
AFM Cover Access Area	60 sq. in.
Box Volume (Less Panels)	201 cu. in.
Device	45° Power — 60° Power — Center Data — Power 51 cu. in. Data 51 cu. in.
Base Opening	1.72 in. x 5.28 in.
Data Panel Included	AFD-6V-2F
Power Panel Included	AFP-6V-3D
Closure Panel Included	Yes
Cover/Carpet Flange Material	Nylon-6
Body Material	14 gauge galvanized steel
Max. No. of Device Panels	2

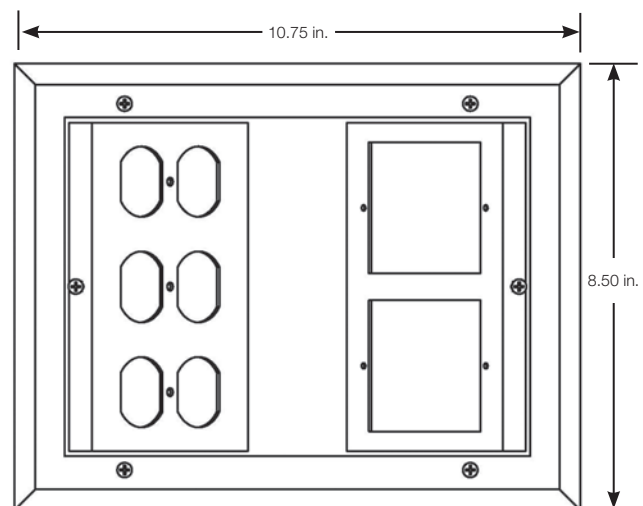
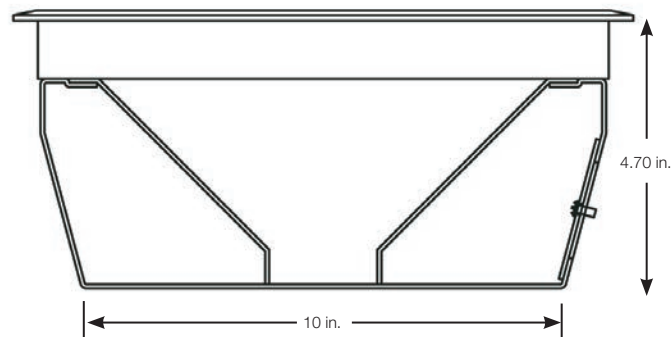
Devices not included. Nylon carpet flange available in Black, Grey, Brown or Beige



	POWER PANELS		DATA PANELS		ACCESSORIES
AFM-6V-BLK GRY BRN BGE	AFP-6V-R 3D** Three duplex		AFD-6V-2F** Two single gang data face plates		AFR-6* Mounting flange  Used to correct opening in floor. Not required for all installations.
	AFP-6V-3G* Three GFCI			AFD-6V-B* Blank	

\*Not CSA Certified

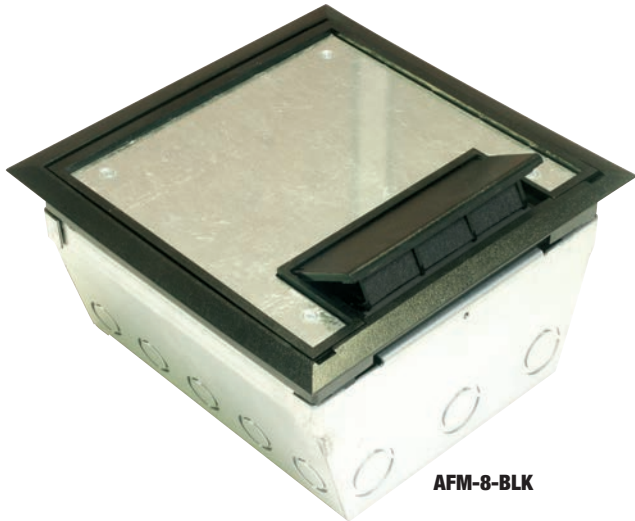
- (1) AFP-6V-3D and (1) AFD-6V-2F supplied with box



AFM-6V  
Shown with supplied power panels and optional panels (sold separately)

## Access Floor Modules

### AFM-8 Series Access Floor Module



**AFM-8-BLK**

### Specifications



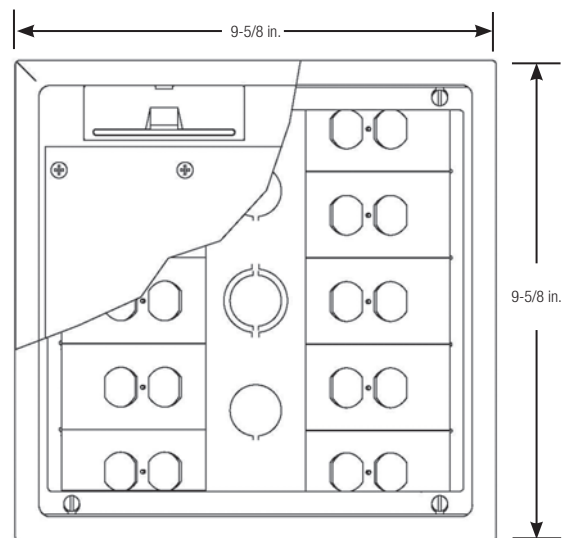
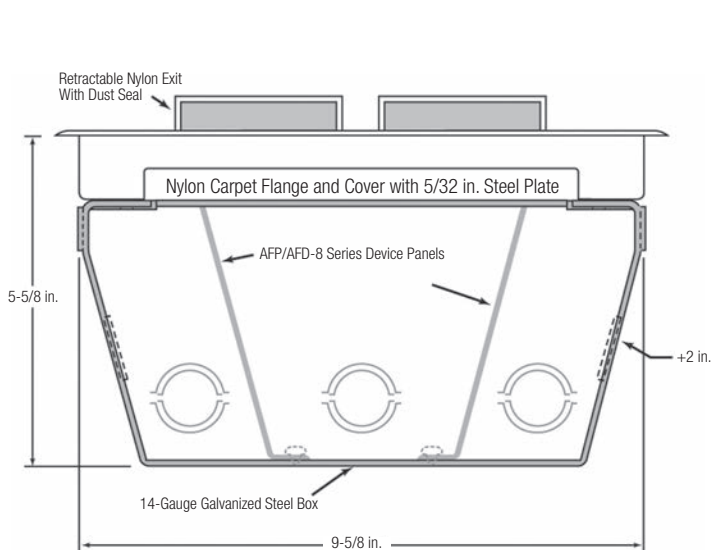
Access Floor Module Size	AFM-8
AFM Depth	5-5/8 in.
Access Floor Cut-Out	9-5/8 in. x 9-5/8 in.
AFM Cover Size	9-3/8 in. x 9-3/8 in.
AFM Cover Access Area	74 sq. in.
Box Volume (Less Panels)	325 cu. in.
Device	45° Power — 60° Power —
Compartment	Center Data —
Volume	Power 15.75 cu. in. Data 15.75 cu. in.
Base Opening	—
Cover/Carpet Flange Material	Nylon-6
Body Material	14 gauge galvanized steel
Max. No. of Device Panels	10

Devices not included  
Nylon carpet flange available in Black, Grey, Brown or Beige



	POWER PANELS				DATA PANELS		ACCESSORIES	
<b>AFM-8-BLK</b> <b>GRY</b> <b>BRN</b> <b>BGE</b>	<b>AFP-8A*</b> Single duplex	<b>AFP-8G*</b> Single GFCI	<b>AFP-8B</b> Blank	<b>AFD-8 3RJ</b> Keystone	<b>AFR-8</b> Mounting flange			
								Used to correct opening in floor. Not required for all installations

\*Not CSA Certified

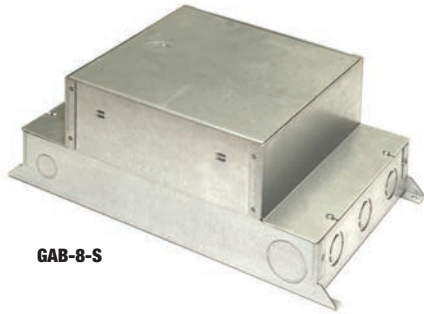


**AFM-8**

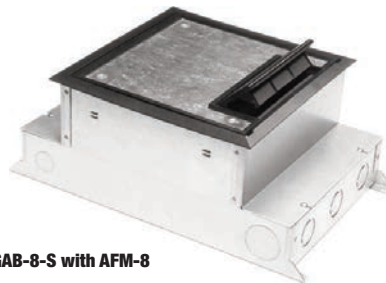
Shown with optional panels (sold separately)

## Access Floor Modules

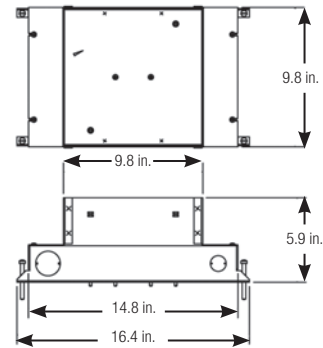
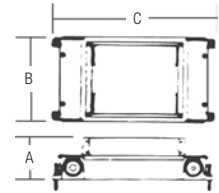
### Concrete Inserts



**GAB-8-S**



**GAB-8-S with AFM-8**



Cat. No.	Dimensions (in.)			Maximum Capacity (cu. in.)	Standard Conduit Tapping	Maximum Conduit Tapping	AFM Insert	Std. Ctn.
	A	B	C					
<b>GAB-8-S</b>	5-7/8	9-3/4	16-3/8	325	2-3/4 in. 2-1-1/4 in.	—	AFM-8	1

Base presets required to installation in concrete pours only. For use with the AFM insert.  
The GAB cast Pre-Set includes center collar and styrene insert to prevent concrete ingress. Standard conduit hubs are 3/4 in. and 1-1/4 in.