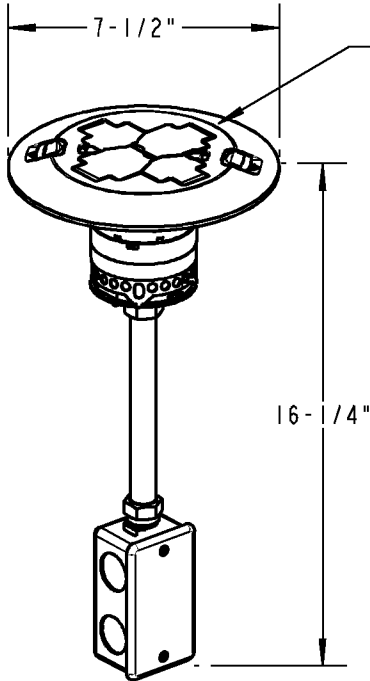


Steel City



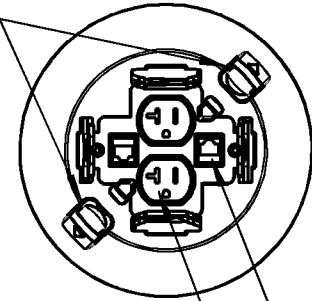
COVER SHIPPED WITH FPT3-2P-2C-XXX POKE THROUGH.

CATALOG NUMBERS:
FPT3-2P-2C-BRS
FPT3-2P-2C-ALM
FPT3-2P-2C-BLK

COMPLETE FIRE RATED POKE THROUGH ASSEMBLY WITH:

- (1) PRE-WIRED 20A DUPLEX RECEPTACLE
 - (2) LEVITON CAT 5E DATA JACKS
 - (1) FACTORY INSTALLED TEMPORARY COVER
 - (1) ALL METAL COVER IN BRASS, ALUMINUM OR BLACK FINISH.
- SEE DRAWING WSD-000339 FOR COVER DETAILS.
 OTHER COLORS AVAILABLE WHEN COVER AND BASE UNIT ARE PURCHASED SEPARATELY.

SLIDE LATCHES
 RELEASE
 COVER LIDS

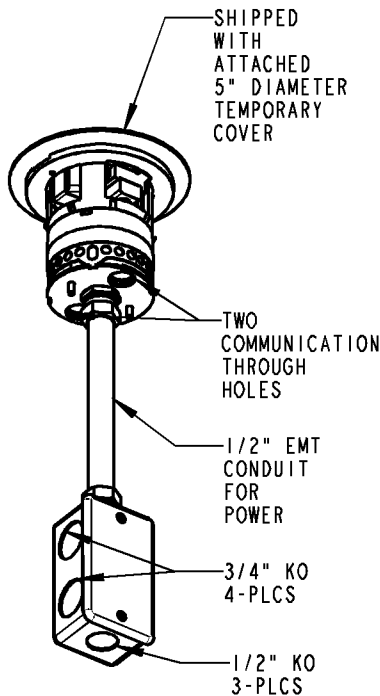


20A DUPLEX
 RECEPTACLE

LEVITON
 CAT 5E
 COMMUNICATION
 JACKS
 2-PLCS

SPECIFICATIONS / FEATURES:

1. ALL METAL CONSTRUCTION WITH INTUMESCENT MATERIAL (FIRE RETARDANT).
 JUNCTION BOX WITH:
 - (4) 3/4" SIDE KNOCKOUTS
 - (2) 1/2" BACKSIDE KNOCKOUTS
 - (1) 1/2" BOTTOM KNOCKOUT
2. CORE-DRILLED HOLE SIZE: 3 TO 3-1/16" DIAMETER
3. UL LISTED AND CLASSIFIED. MEETS OR EXCEEDS UL AND CANADIAN SAFETY STANDARDS.
4. FIRE RATING AND CONCRETE THICKNESS MIN/MAX:
 FOR USE IN 1, 1-1/2 & 2-HOUR RATED FLOORS
 1-HOUR RATED FLOOR
 2-1/4" THICK MINIMUM CONCRETE OVER STEEL DECKING
 3" MINIMUM CONCRETE FOR REINFORCED SLAB
 7-1/2" MAXIMUM CONCRETE THICKNESS
 2-HOUR RATED FLOOR - CONCRETE THICKNESS MIN/MAX:
 3-1/4" THICK MINIMUM CONCRETE OVER STEEL DECKING
 4" MINIMUM CONCRETE FOR REINFORCED SLAB
 7-1/2" MAXIMUM CONCRETE THICKNESS
5. FLOOR COVERINGS:
 FOR USE ON CARPET AND WOOD COVERED CONCRETE FLOORS, TILE FLOOR COVERINGS UP TO 3/4" MAXIMUM THICKNESS, AND LINOLEUM FLOOR COVERINGS UP TO A MAXIMUM OF 1/8" THICKNESS.
 POKE THROUGH MAY BE INSTALLED DIRECTLY ON CONCRETE IF NO FINISHED FLOOR IS PLANNED.
6. MAXIMUM ALLOWABLE COPPER CROSS-SECTIONAL AREA FOR COMMUNICATIONS:
 SIDE THROUGH HOLE #1: .00321 SQ. INCHES
 CENTER HOLE: POWER
 SIDE THROUGH HOLE #2: .00321 SQ. INCHES



GENERAL NOTES

1. ALL DIMENSIONS ARE FOR REFERENCE ONLY.
2. DIMENSIONS IN BRACKETS [] ARE IN METRIC UNITS.

REVISIONS

*** SEE ERN (****) FOR APPROVAL SIGNATURES & RELEASE DATE.
 PROJECT NO: ****

Thomas & Betts
 www.tnb.com

DESCRIPTION: **FPT3-2P-2C-XXX POKE THROUGH ASSEMBLY**
 XXX - DENOTES COVER MATERIAL OR FINISH

ORIGINAL PROJECT NO / (ERN NO)	SHEET NO:	REV. NO:	DRAWING NO:
UD55647 / (2008050)	1 OF 1	-	WSD-000336