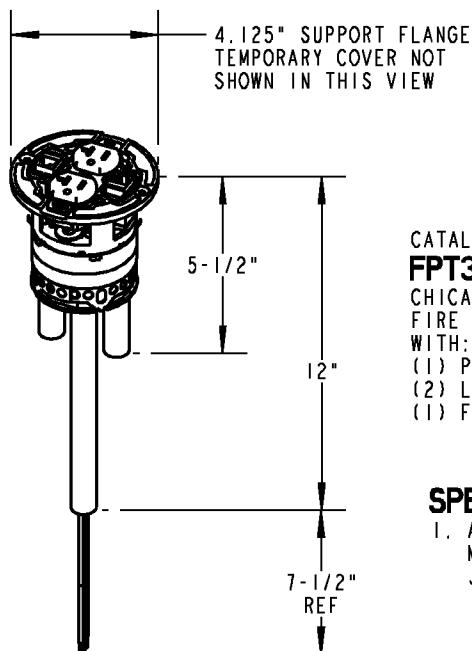


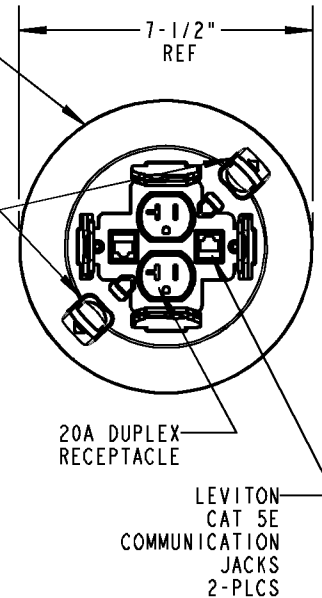
Steel City



FPT3-CVR-XXX COVER
SHOWN FOR REFERENCE
ONLY.
COVER SOLD SEPARATELY
SEE DRAWING
WSD-000339

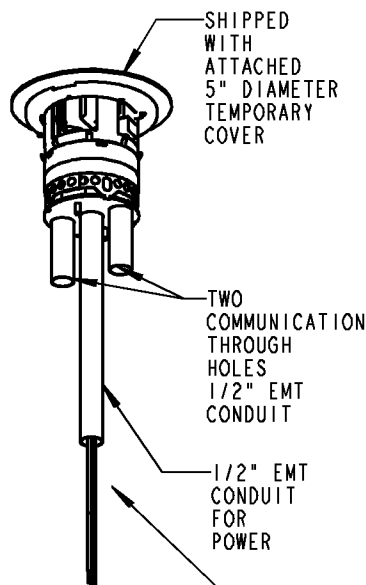
CATALOG NUMBER:
FPT3-2P-2C-C
CHICAGO APPROVED
FIRE RATED POKE THROUGH BASE UNIT
WITH:
(1) PRE-WIRED 20A DUPLEX RECEPTACLE
(2) LEVITON CAT 5E DATA JACKS
(1) FACTORY INSTALLED TEMPORARY COVER

SLIDE LATCHES
RELEASE
COVER LIDS



SPECIFICATIONS / FEATURES:

- ALL METAL CONSTRUCTION WITH INTUMESCENT MATERIAL (FIRE RETARDANT).
JUNCTION BOX WITH:
(4) 3/4" SIDE KNOCKOUTS
(2) 1/2" BACKSIDE KNOCKOUTS
(1) 1/2" BOTTOM KNOCKOUT
- CORE-DRILLED HOLE SIZE: 3 TO 3-1/16" DIAMETER
- UL LISTED AND CLASSIFIED. MEETS OR EXCEEDS UL AND CANADIAN SAFETY STANDARDS.
- FIRE RATING AND CONCRETE THICKNESS MIN/MAX:
FOR USE IN 1, 1-1/2 & 2-HOUR RATED FLOORS
1-HOUR RATED FLOOR
2-1/4" THICK MINIMUM CONCRETE OVER STEEL DECKING
3" MINIMUM CONCRETE FOR REINFORCED SLAB
7-1/2" MAXIMUM CONCRETE THICKNESS
2-HOUR RATED FLOOR - CONCRETE THICKNESS MIN/MAX:
3-1/4" THICK MINIMUM CONCRETE OVER STEEL DECKING
4" MINIMUM CONCRETE FOR REINFORCED SLAB
7-1/2" MAXIMUM CONCRETE THICKNESS
- FLOOR COVERINGS:
FOR USE ON CARPET AND WOOD COVERED CONCRETE FLOORS,
TILE FLOOR COVERINGS UP TO 3/4" MAXIMUM THICKNESS,
AND LINOLEUM FLOOR COVERINGS UP TO A MAXIMUM OF
1/8" THICKNESS.
POKE THROUGH MAY BE INSTALLED DIRECTLY ON CONCRETE IF
NO FINISHED FLOOR IS PLANNED.
- MAXIMUM ALLOWABLE COPPER CROSS-SECTIONAL AREA FOR COMMUNICATIONS:
SIDE THROUGH HOLE #1: .00321 SQ. INCHES
CENTER HOLE: POWER
SIDE THROUGH HOLE #2: .00321 SQ. INCHES



COMPRESSION FITTING AND CHICAGO APPROVED JUNCTION BOX MUST BE USED WITH THIS POKE THROUGH BASE UNIT



GENERAL NOTES

- ALL DIMENSIONS ARE FOR REFERENCE ONLY.
- DIMENSIONS IN BRACKETS [] ARE IN METRIC UNITS.

REVISIONS

*** SEE ERN (****)
FOR APPROVAL SIGNATURES
& RELEASE DATE.
PROJECT NO: ****

Thomas & Betts
www.tnb.com

DESCRIPTION: **FPT3-2P-2C-C POKE THROUGH BASE UNIT - CHICAGO APPROVED**
COVER SOLD SEPARATELY

ORIGINAL PROJECT NO / (ERN NO)

SHEET NO:

REV. NO:

DRAWING NO:

UD55647 / (2008050)

1 OF 1

-

WSD-000338