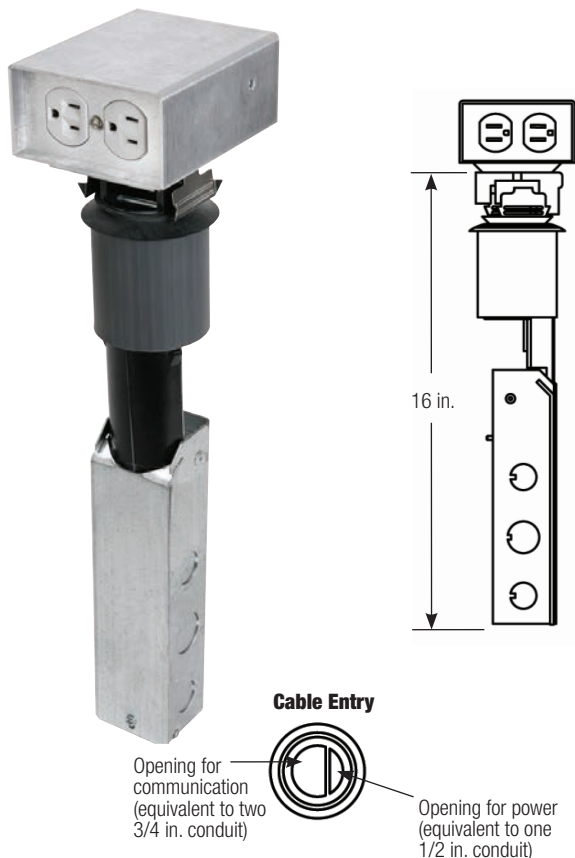


## Above-Floor Pedestals

### FPT Pedestal Series



By mounting all outlets above-floor level and at a 90° angle to the floor, the FPT Pedestal Series protects power receptacles and communications devices from dirt and debris. An overhanging housing provides additional protection for the outlets.

- Pedestals available in 2 compartment and 4 compartment for power and communications applications
- Core Drill Size 3 in.
- Housings and device plates feature a brushed-aluminum finish
- Integral junction box features (5) 1/2 in. and (5) 3/4 in. knockouts (27 cubic inch capacity)



FPT-401A



FPT-421



Cat. No.	Description	Std. Ctn.
<b>FPT-401A</b>	FPT Pedestal, Accepts 2 Device Plates, Poke-Through Base Unit Purchased Separately (2-5/8 in. H x 4 in. W x 4-7/8 in. D)	10
<b>FPT-421</b>	FPT Pedestal, Accepts 4 Device Plates, Poke-Through Base Unit Purchased Separately (2-5/8 in. H x 4 in. W x 4-7/8 in. D)	5
<b>FPT-400B</b>	FPT Poke-Through Base Unit Only	1

### FPT Pedestal Series – Device Plates & Accessories



OPOD4-WH

Cat. No.	Description	Std. Ctn.
<b>FPT-424</b>	Duplex Device Plate, Aluminum with Anodized Finish	50
<b>FPT-425</b>	Blank Device Plate, Aluminum with Anodized Finish	50
<b>OPOD4-WH*</b>	4-Port "106" Duplex Adapter for Keystone Jacks (for use with FPT-424 plate)	100
<b>FPT-408A</b>	Voltage Divider for FPT-401A Pedestal	10
<b>FPT-422A</b>	Voltage Divider for FPT-421 Pedestal	10
<b>FPT-416</b>	Adapter for Conduit Stub Ups	50

\*CSA not applicable