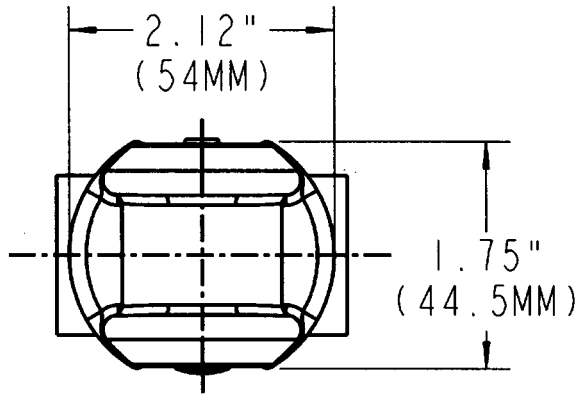
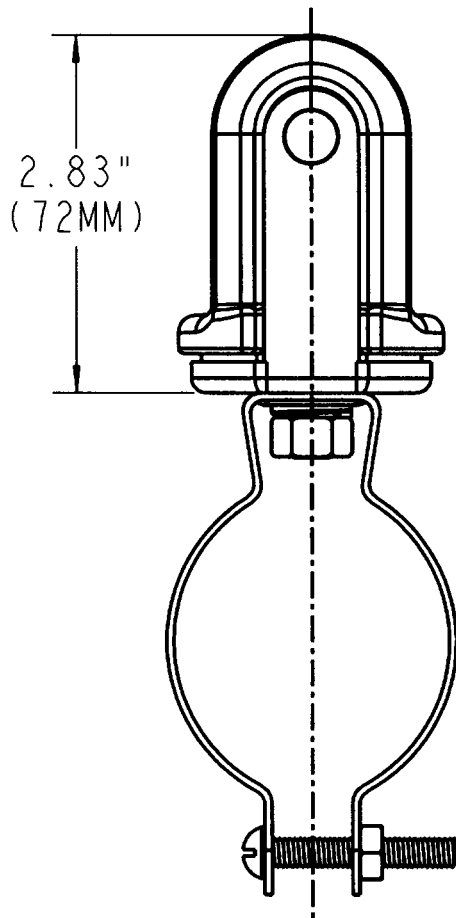
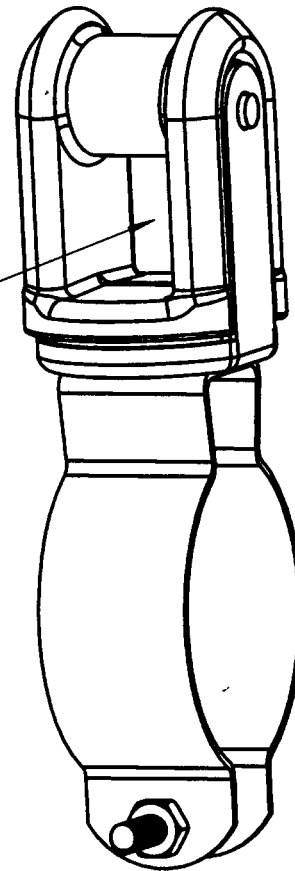


Steel City



.98" x .94"
(25MM x 24MM)
OPENING



CATALOG NO. W32
PORCELAIN WIRE HOLDER
PIPE MOUNTED, 2" CONDUIT SIZE
MAXIMUM PULL: 1500 LBF
(681 KGF)

GENERAL NOTES

1. ALL DIMENSIONS ARE FOR REFERENCE ONLY.
2. DIMENSIONS IN BRACKETS () ARE IN METRIC UNITS.

REVISIONS

- | | |
|---|---|
| 1 | SEE ERN 2012770 FOR APPROVAL SIGNATURES & RELEASE DATE.
PROJECT NO: RM401839 |
|---|---|

Thomas & Betts
www.tnb.com

DESCRIPTION:

**W32
PORCELAIN WIRE HOLDER**

ORIGINAL PROJECT NO / (ERN NO)

RM401839 / (2012617)

SHEET NO:

1 OF 1

REV. NO:

1

DRAWING NO:

WSD-000613