

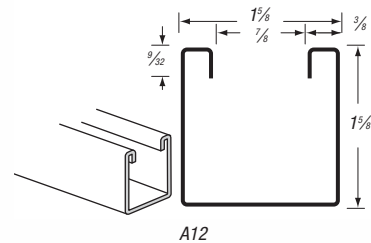
## Strut — PVC-Coated Steel Channel

Rugged steel channels protected by corrosion-resistant PVC!

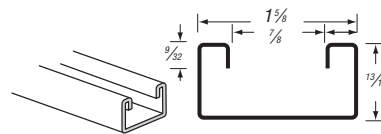
### Ocal PVC-Coated Steel Strut



- Channels cold formed from hot-rolled pickled and oiled strip steel
- Nominal .015" (15 mil) PVC coating
- PVC coating available in your choice of blue, white or gray standard colors
- Custom colors also available on request
- Sold in 10 ft. (3.048m) lengths with standard length tolerance of  $\pm \frac{1}{8}$ " (3.18mm)
- Choose between standard 1 $\frac{1}{2}$ " (41.28mm) and shallow 1 $\frac{3}{8}$ " (20.64mm) depths
- Available in both solid and punched styles



A12



C14

Cat. No.	Color
<b>A 1 2 -</b>	—
_ = space for color identifier	
G = Gray	
W = White	
B = Blue	
Custom colors also available.	

**Catalog No. Example:**  
C14P-W is shallow punched strut channel coated in white PVC.

CAT. NO.	STYLE	STEEL GAUGE	IN. MM	
			W	H
A12-	Standard	12	1.63	x 1.63
		2.65	41.28	x 41.28
A12A-	Back to Back	12	1.63	x 3.25
		2.65	41.28	x 82.55
A12P-	Standard Punched	12	1.63	x 1.63
		2.65	41.28	x 41.28
C14-	Shallow	14	1.63	x .81
		1.89	41.28	x 20.64
C14P-	Shallow Punched	14	1.63	x .81
		1.89	41.28	x 20.64

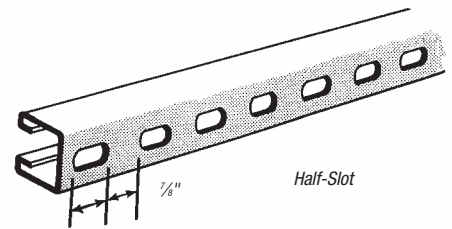
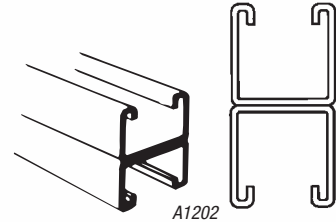
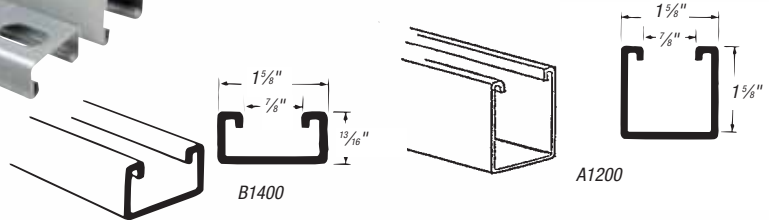
Ocal® Corrosion Protection for Electrical Conduit and Fittings

## Strut — Stainless Steel Channel and Hardware

Type 304 or Type 316 stainless — cold-roll formed for strength.

### Stainless Steel Strut

- 12 or 14 gauge Type 304 or Type 316 stainless steel
- Available in 10-ft. (3.048m) and 20-ft. (6.096m) lengths with standard length tolerance of  $\pm \frac{1}{16}$ " (3.18mm)
- Choose standard or shallow and solid or half-slot style



TYPE 304 STAINLESS CAT. NO.	TYPE 316 STAINLESS CAT. NO.	STYLE	STEEL GAUGE MM	LENGTH FT. M	IN. WIDTH HEIGHT
A1200 10SS	A120010T316SS	Standard	12	10	1.63 x 1.63
A1200 20SS	A120020T316SS	Standard	12	20	1.63 x 1.63
A1200HS 10SS	A1200HS10T316SS	Standard Half-Slot	12	10	1.63 x 1.63
A1200HS 20SS	A1200HS20T316SS	Standard Half-Slot	12	20	1.63 x 1.63
B1400 10SS	B140010T316SS	Shallow	14	10	1.63 x .81
B1400 20SS	B140020T316SS	Shallow	14	20	1.63 x .81
A1202HS10SS	A1202HS10T316SS	Back-to-Back Half-Slot	12	10	1.63 x 3.25
A1202HS20SS	A1202HS20T316SS	Back-to-Back Half-Slot	12	20	1.63 x 3.25

Ocal® Corrosion Protection for Electrical Conduit and Fittings

### Stainless Steel Hardware Accessories

TYPE 304 STAINLESS CAT. NO.	TYPE 316 STAINLESS CAT. NO.	SIZE
-----------------------------	-----------------------------	------

#### Flat Plate Fittings

AB220SS	AB220SS316	5/8" x 3/2"
AB207SS	AB207SS6C	5/8"
X207SS	X207SS6C	7/4"
AB206SS	AB206SS6C	3/8"

#### 90° Corner Fittings or Brackets

AB201SS	AB201SS316	—
AB202SS	AB202SS316	1 1/8" x 2"
AB203SS	AB203SS316	—
AB204SS	AB204SS316	2 1/4" x 3 1/8"
AB213SS	AB213SS316	—
AB214SS	AB214SS316	—
AB219SS	AB219SS316	—
AW219SS	AW219SS316	9/16" x 3 1/8"
AB205SS	AB205SS316	—

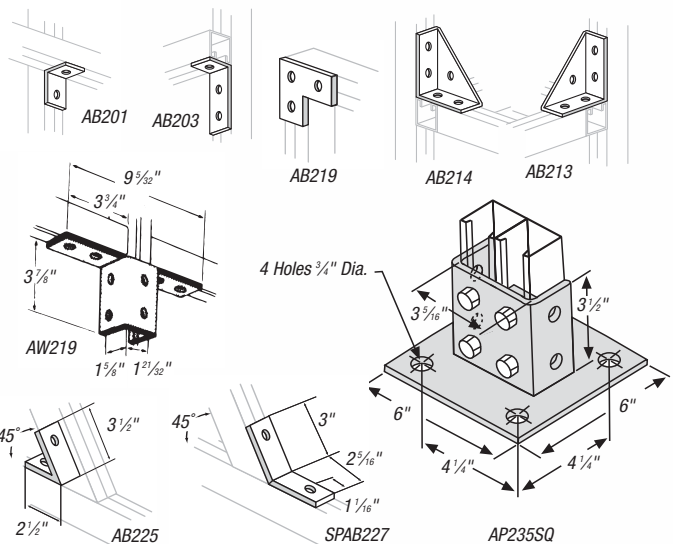
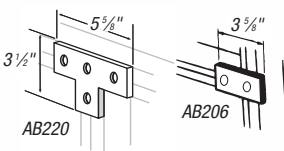
TYPE 304 STAINLESS CAT. NO.	TYPE 316 STAINLESS CAT. NO.	SIZE
-----------------------------	-----------------------------	------

#### 45° Fittings

AB225SS	AB225SS316	3 1/2" x 2 1/2"
SPAB227SS	AB227SS316	3" x 2 5/16"

#### Pedestal Base

AP232SS	AP232SS6	4 1/2" x 3 1/2"
AP232SSQSS	AP232SSQSS6	4 1/2" x 3 1/2"
AP235SS	AP235SS6	6" x 4"
AP235SSQSS	AP235SSQSS6	6" x 4"



## Strut — All-Thread Rod and Hardware

Continuously threaded rod for use with conduit hangers and strut to suspend overhead conduit runs.

### All-Thread Rod

- All-thread steel rod coated with nominal .015" (15 mil) PVC in blue, white or gray with custom colors available on request
- Available in 1/4", 3/8" or 1/2" standard diameters and in 3-, 6- or 10-ft. standard lengths
- Also available uncoated in Type 304 or Type 316 stainless steel
- Stainless steel all-thread rod comes in 3/8" or 1/2" diameters in 6-ft. standard lengths with other diameters and lengths available on request

### Ocal PVC-Coated Steel All-Thread Rod

CAT. NO.	TRADE SIZE	LENGTH
	IN. MM	FT. M
THR1/4X10- _	1/4	10.00
	6.35	3.05
THR3/8X3- _	3/8	3.00
	9.53	0.91
THR3/8X6- _	3/8	6.00
	9.53	1.83
THR3/8X10- _	3/8	10.00
	9.53	3.05
THR1/2X3- _	1/2	3.00
	12.70	0.91
THR1/2X6- _	1/2	6.00
	12.70	1.83
THR1/2X10- _	1/2	10.00
	12.70	3.05



PVC-Coated All-Thread Rod

Cat. No.	Diameter x Length	Color
<b>THR3/8X3</b> - _		
_ = space for color identifier		
<b>G</b>	= Gray	
<b>W</b>	= White	
<b>B</b>	= Blue	
Custom colors also available.		

### Stainless Steel All-Thread Rod

TYPE 304 STAINLESS CAT. NO.	TYPE 316 STAINLESS CAT. NO.	TRADE SIZE	LENGTH
		IN. MM	FT. M
H104-3/8X6SS	H104 3/8X6SS316	3/8	6.00
		9.53	1.83
H104 3/8X12SS	H104-3/8X12SS6	3/8	12.00
		9.53	3.66
H104-1/2X6SSC	H104-1/2X6SS6	1/2	6.00
		12.70	1.83
H104 1/2X12SS	H104 1/2X12SS316	1/2	12.00
		12.70	3.66



Stainless Steel All-Thread Rod

### Stainless Steel Hardware Accessories (continued)

TYPE 304 STAINLESS CAT. NO.	TYPE 316 STAINLESS CAT. NO.	SIZE	TYPE 304 STAINLESS CAT. NO.	TYPE 316 STAINLESS CAT. NO.	SIZE
<b>Spring Nut — Regular</b>					
—	A100 1/4 SS	1/4"			1/4"
—	A100 5/16SS	5/16"			5/16"
—	A100 3/8 SS	3/8"			3/8"
<b>Spring Nut — Short</b>					
—	B100 1/4 SS	1/4"			1/4"
—	B100 3/8 SS	3/8"			3/8"
—	B100 1/2SS	1/2"			1/2"
<b>Springless Nut</b>					
—	AB100 1/4 SS	1/4"			1/4"
—	AB100 5/16SS	5/16"			5/16"
—	AB100 3/8 SS	3/8"			3/8"
<b>Hex Head Cap Screw</b>					
E142 (T) X (L) SS	E142 (T) X (L) SS316	—			—
<b>Hex Nut</b>					
			E145 1/4 SS	—	1/4"
			E145 5/16SS	—	5/16"
			E145 3/8 SS	—	3/8"
			E145 1/2 SS	—	1/2"
<b>Fender Washer</b>					
			EF147 1/4 SS	—	1/4"
			EF147 3/8 SS	—	3/8"
			EF147 1/2SS	—	1/2"
<b>Square Washer</b>					
			AB241 1/4SS	AB241-1/4SS316	1/4"
			AB241 5/16SS	—	5/16"
			AB241 3/8 SS	AB241-3/8 SS316	3/8"
			AB241 1/2SS	AB241-1/2SS316	1/2"



E142  
Hex Head  
Cap Screw



E145  
Hex Nut



H119  
Rod Coupling



EF147  
Fender Washer



AB241  
Square Washer

TYPE 304 STAINLESS CAT. NO.	TYPE 316 STAINLESS CAT. NO.	SIZE
<b>Rod Coupling</b>		
H119 1/4SS	—	1/4"
H119 3/8SS	—	3/8"
H119 1/2SS	H119-1/2SS6	1/2"
<b>U-Bolt Beam Clamps</b>		
U501SS	—	3 3/16" H
U502SS	—	4 13/16" H





## Strut — PVC-Coated Beam Clamps and Conduit Hangers

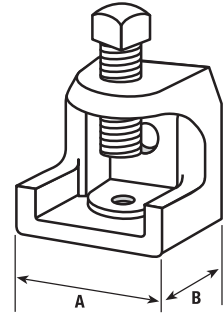
Corrosion-protected clamps for hanging threaded rod.

### Ocal PVC-Coated Hanger Rod Beam Clamps



500-G  
Hanger Rod Beam Clamp

- Malleable iron construction
- Nominal .015" (15 mil) PVC coating in blue, white, gray or custom colors
- 500, 502 and 503 also available uncoated in Type 316 stainless steel; add -SS316 to catalog number to order (for example: 502-SS316)



Cat. No.	Color
<b>500-</b>	—
— = space for color identifier	
<b>G</b> = Gray	
<b>W</b> = White	
<b>B</b> = Blue	
Custom colors also available.	

CAT. NO.	BASE "A" IN. MM	BASE "B" IN. MM	JAW OPENING IN. MM	TAPPED HOLE IN. MM	LOAD RATING‡ LBS. KG
500- <b>1</b>	25.40	31.75	1 <sup>5</sup> / <sub>16</sub>	1/4 - 20	450
501- <b>1</b>	38.10	41.28	7/8	6.35 - 20	204.12
502- <b>2</b>	50.80	50.80	1	15/16 - 18	800
502- <b>2</b>	50.80	50.80	1	3/8 - 16	1300
503- <b>2</b>	66.68	63.50	25.40	9.53 - 16	589.67
503- <b>2</b>	66.68	63.50	25.40	12.70 - 13	589.67
508- <b>2</b>	63.50	60.33	53.98	1/2 - 13	1700
508- <b>2</b>	63.50	60.33	53.98	12.70 - 13	771.11

\* Metric size designator (ANSI C80.1-1994).

‡ Load ratings based on bottom hole of beam clamp with safety factor of three.

CSA File No. LR-52208



MINE3/4-G  
Mini Conduit Hanger

Includes stainless steel bolt and nut for fast, easy installation.

### Ocal PVC-Coated Mini Conduit Hangers

- Nominal .015" (15 mil) PVC coating in blue, white, gray or custom colors
- Rated for loads of up to 500 lbs. (226.80kg) with a safety factor of three

Cat. No.	Color
<b>MINE1-</b>	—
— = space for color identifier	
<b>G</b> = Gray	
<b>W</b> = White	
<b>B</b> = Blue	
Custom colors also available.	

CAT. NO.	PIPE SIZE IN. METRIC SIZE DESIGNATOR*
MINE1/2- <b>1</b>	1/2
MINE1/2- <b>16</b>	16
MINE3/4- <b>21</b>	3/4
MINE1- <b>27</b>	21
MINE1- <b>1</b>	1
MINE1-1/4- <b>27</b>	1/4
MINE1-1/4- <b>35</b>	35
MINE1-1/2- <b>41</b>	1/2
MINE1-1/2- <b>41</b>	41

CAT. NO.	PIPE SIZE IN. METRIC SIZE DESIGNATOR*
MINE2- <b>2</b>	2
MINE2- <b>53</b>	53
MINE2-1/2- <b>63</b>	2 1/2
MINE2-1/2- <b>63</b>	63
MINE3- <b>78</b>	3
MINE3- <b>78</b>	78
MINE3-1/2- <b>91</b>	3 1/2
MINE3-1/2- <b>91</b>	91
MINE4- <b>103</b>	4
MINE4- <b>103</b>	103

\* Metric size designator (ANSI C80.1-1994).

Designed for easy attachment of conduit to strut!

### Pipe Straps for Strut

Just twist-insert these pipe straps anywhere you need them along the slot side of a channel. For additional flexibility, you can position the straps as closely as your pipe couplings permit.

- Combination slot and hex head bolt for flexibility of attachment
- Captivated square nut on shoulder enables easy one-handed tightening
- Use with either 1 5/8" or 1 1/2" strut for greater versatility
- Shipped pre-assembled for easier counting, sorting and handling
- Available with nominal .015" (15 mil) PVC coating in your choice of blue, white or gray standard colors (custom colors also available on request)
- Or choose uncoated pipe straps in Type 304 or Type 316 stainless steel



Stainless Steel Pipe Strap



PVC-Coated Pipe Strap

### Stainless Steel Strut Pipe Straps

TYPE 304 STAINLESS CAT. NO.	TYPE 316 STAINLESS CAT. NO.	PIPE SIZE IN. METRIC SIZE DESIGNATOR*
700-3/4-SS	700-3/4-SS316	1/2 16
700-1-SS	700-1-SS316	3/4 21
701-1-1/2-SS	701-1-1/2-SS316	1 27
701-1-3/4-SS	701-1-3/4-SS316	1 1/4 35
701-2-SS	701-2-SS316	1 1/2 41
701-2-1/2-SS	701-2-1/2-SS316	2 53
701-3-SS	701-3-SS316	2 1/2 63
701-3-5/8-SS	701-3-5/8-SS316	3 78
701-4-1/8-SS	701-4-1/8-SS316	3 1/2 91
701-4-5/8-SS	701-4-5/8-SS316	4 103

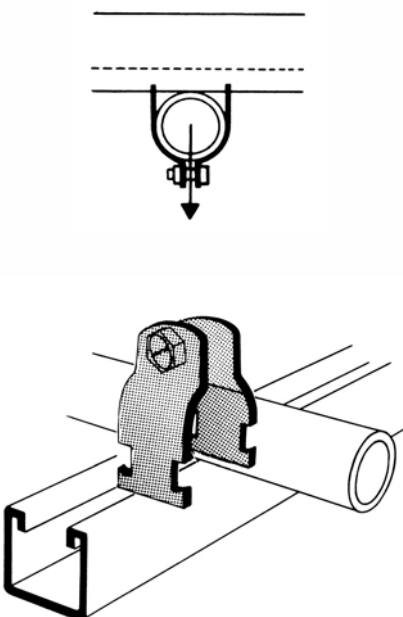
\* Metric size designator (ANSI C80.1-1994).

Note: Stainless steel strut pipe straps are recommended only for use with stainless steel strut. Stainless steel straps may damage the PVC coating on PVC-coated strut.

### Ocal PVC-Coated Strut Pipe Straps

CAT. NO.	PIPE SIZE IN. METRIC SIZE DESIGNATOR*
SS1/2- <u>  </u>	1/2 16
SS3/4- <u>  </u>	3/4 21
SS1- <u>  </u>	1 27
SS1-1/4- <u>  </u>	1 1/4 35
SS1-1/2- <u>  </u>	1 1/2 41
SS2- <u>  </u>	2 53
SS2-1/2- <u>  </u>	2 1/2 63
SS3- <u>  </u>	3 78
SS3-1/2- <u>  </u>	3 1/2 91
SS4- <u>  </u>	4 103
SS5- <u>  </u>	5 129

\* Metric size designator (ANSI C80.1-1994).



Ocal® Corrosion Protection for Electrical Conduit and Fittings

Cat. No.	Size	Color
<b>SS 1-</b>		
- = space for color identifier		
G	= Gray	
W	= White	
B	= Blue	
Custom colors also available.		



**Fewer parts, less installation time and huge labor savings!**

### Trapnut® Strut Fastener

The unique scissor action of the Trapnut® Strut Fastener closes at any desired position on the threaded rod. Once closed, precision threads trap the rod for a sturdy hold that can be adjusted up or down for fine-tune positioning. While the versatile Trapnut® Fastener has a locking pin that holds it in the desired position, it can also be removed and reused.



Standard method using nuts and washers



New method using Trapnut® Strut Fastener

Unlike a hex nut, there's no need to thread the Trapnut® Fastener from either end of the rod, saving valuable time on the job. While the Trapnut® Fastener is a time-saver for new work, it's invaluable for retrofit applications. Rather than disassembling an existing trapeze to run additional conduit above it, simply clamp the Trapnut® Fastener between the trapeze and beam clamp for a speedy retrofit solution. It's ideal for applications where the rod ends aren't accessible.

The Trapnut® Fastener offers sturdy, load-bearing steel construction, so you can be confident of a solid installation. In addition, the Trapnut® Fastener functions as a hex nut, square washer and flat washer all in one, so there are fewer parts to keep track of on the job.

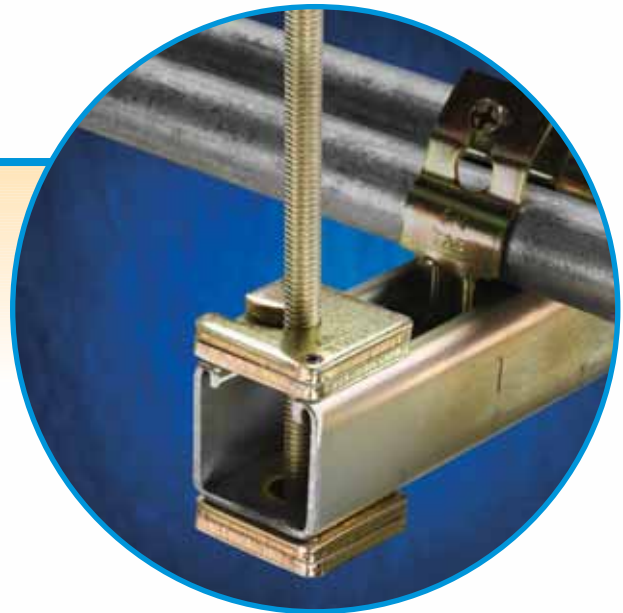
- Takes 30% less time than the traditional method on new work\*
- Takes 43% less time than the traditional method on retrofit applications\*

\* Based on time study conducted by Thomas & Betts comparing the time to install 15 feet of 2" conduit with typical trapeze assemblies using washers and nuts versus Trapnut® fasteners.

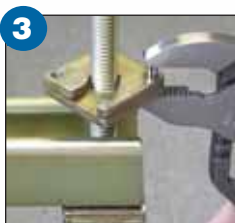


### Type 316 Stainless Steel Trapnut® Fastener

CAT. NO.	MATERIAL	SIZE	DESIGN LOAD
		IN. MM	LBS. KG
H122-1/4-SS6	Type 316 Stainless Steel	1/4"	150.00
		6.35	68.04
H122-3/8-SS6	Type 316 Stainless Steel	3/8"	590.00
		9.53	267.62
H122-1/2-SS6	Type 316 Stainless Steel	1/2"	1080.00
		12.70	489.88



### Trapnut® Fastener is Quick and Easy to Install



#### 1 Hold in the open position.

- No need to thread the Trapnut® Fastener from either end of the rod — saves valuable time
- Perfect for retrofit applications where the rod ends are not accessible

#### 2 Insert the bottom plate on the rod and close the top plate.

- Precision threads trap the threaded rod for a sturdy hold that can be adjusted up or down for fine-tune positioning
- Functions as a hex nut, square washer and flat washer combined

#### 3 Press the pin with pliers.

- Locking pin holds Trapnut® Fastener in the desired position
- Can be removed and reused

#### 4 Tighten to the desired position with pliers.

- Can be adjusted up or down for fine-tune positioning
- Sturdy, load-bearing stainless steel construction
- Sized to provide custom fit for either 1 1/8" or 1 1/2" strut systems