

Dragon Tooth®

Disconnects

T&B Catalog Number:

22LF06

UPC Number:

78621081865

Status:

Active

Description:

Insulation Piercing Magnet Wire Female Disconnect, Length .91 Inches, Width .25 Inches, Length of Teeth .45 Inches, Width of Teeth .25 Inches, Tab Size .250 x .032, Wire Range #16 AWG - #12 AWG 2,580 Circular Mil Area - 12,330 Circular Mil Area, Copper Alloy, Tin Plated

Features

Designed to penetrate magnet wire insulation during application, eliminating the need for stripping, brazing, welding or other methods of joining magnet wire.

Application

For aluminum to copper, aluminum to aluminum or copper to copper magnet wire connections.

General

Material	Copper
Finish	Tin Plated
Tab Size	0.250 x 0.032

Dimension Information

E* (inches)	.13
A (inches)	.25
B (inches)	.45
C (inches)	.91
D (inches)	.25

Specifications

Circular Mil Area	2,580 - 12,330
Rectangular Wire Range Thickness (inches)	.05 - .08
Rectangular Wire Range Width (inches)	.05 - .16
Round Wire Range AWG	12 - 16

Tooling

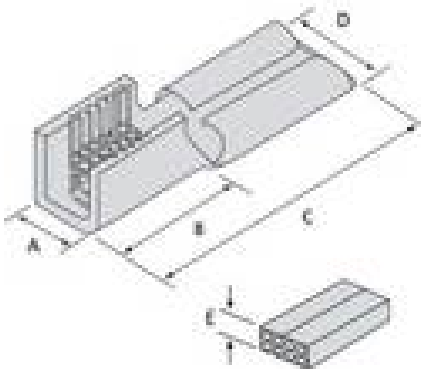
Manual Tooling	ERG4806
Battery Powered Tooling	BAT226
Pneumatic Tooling	BAIR226, PAIR226
Battery/Pneumatic Tooling Die	DIE1806
Connector & Tooling Chart	Available on Website

Packaging

T&B Order Multiple	1000
T&B Inner Pack	1000
Package in Units	5000
T&B Sold in UOM	Each
T&B Weight Per UOM	3.75 lbs. per 1000

Application Support

Product Selector	DT_prod_selector_disconnects
------------------	------------------------------



T&B Instruction Sheets	ta00261-tb2
Overview	Available on Website
Notes	
*Note	Reference dimension (crimped height). See installing die illustration for gauging.
**Note	22 - 24 AWG and equivalent rectangular c.m.a., copper only.
	Wire sizes and combinations shown have been tested to and meet or exceed Thomas & Betts specifications. Connectors may be suitable for other wire sizes or combinations. Thomas & Betts sells these connectors with the understanding that the user will perform necessary tests to determine their suitability for the intended purpose.
Certifications	
RoHS Compliance	Yes

For further technical assistance, please contact us...

Thomas & Betts - USA
8155 T&B Blvd.
Memphis, TN 38125
www.tnb.com

T&B Technical Support
MS 3B-50
8155 T&B Blvd.
Memphis, TN 38125

Hours: 7AM - 6PM CDT
Monday-Friday
Phone: (888) 862-3289
Fax: (901) 252-1321
Email:techsupport@tnb.com