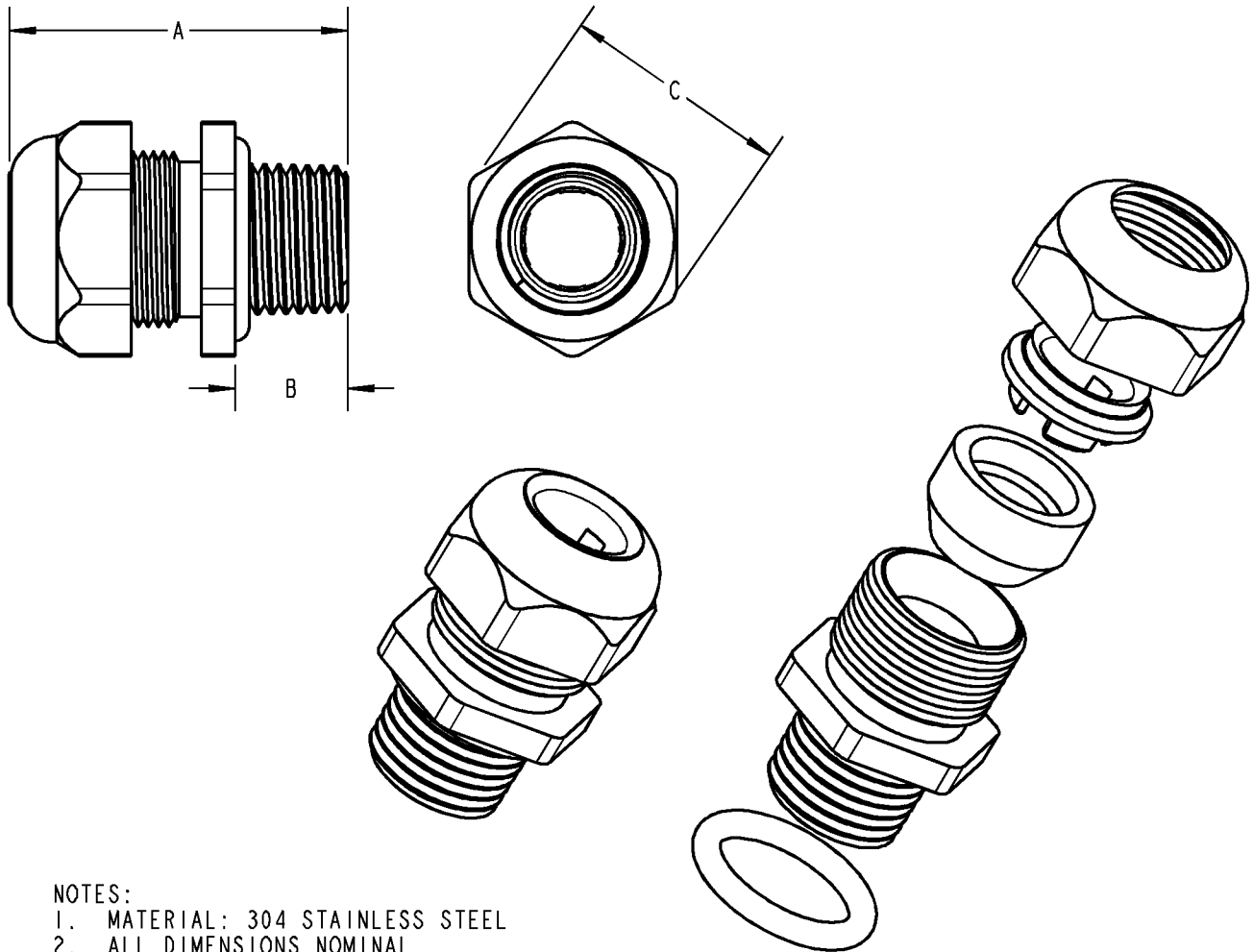




T&B Portable Cord Fittings



- NOTES:
1. MATERIAL: 304 STAINLESS STEEL
 2. ALL DIMENSIONS NOMINAL
 3. UL/CSA LISTED PORTABLE CORD ONLY

2942SST	1" STAINLESS STEEL CORD CONN	2.218" (56.3)	.785" (19.9)	1.500" (38.1)	.700"-.950"
2941SST	1" STAINLESS STEEL CORD CONN	2.218" (56.3)	.785" (19.9)	1.500" (38.1)	.500"-.750"
2940SST	1" STAINLESS STEEL CORD CONN	2.178" (55.3)	.785" (19.9)	1.500" (38.1)	.310"-.560"
2932SST	3/4" STAINLESS STEEL CORD CONN	2.063" (52.4)	.630" (16.0)	1.125" (28.6)	.500"-.750"
2931SST	3/4" STAINLESS STEEL CORD CONN	2.063" (52.4)	.630" (16.0)	1.125" (28.6)	.310"-.560"
2930SST	3/4" STAINLESS STEEL CORD CONN	2.063" (52.4)	.630" (16.0)	1.125" (28.6)	.125"-.375"
2922SST	1/2" STAINLESS STEEL CORD CONN	2.003" (50.9)	.610" (14.9)	1.125" (28.6)	.500"-.750"
2921SST	1/2" STAINLESS STEEL CORD CONN	1.935" (49.2)	.610" (14.9)	1.125" (28.6)	.360"-.560"
2920SST	1/2" STAINLESS STEEL CORD CONN	1.935" (49.2)	.610" (14.9)	1.125" (28.6)	.125"-.375"
CAT #	DESCRIPTION	"A" DIM (MAX)	"B" DIM	"C" DIM	CORD RANGE

GENERAL NOTES

1. ALL DIMENSIONS ARE FOR REFERENCE ONLY.
2. DIMENSIONS IN BRACKETS [] ARE IN METRIC UNITS.

REVISIONS

- | | |
|---|--|
| 0 | SEE ERN (****) FOR APPROVAL SIGNATURES & RELEASE DATE.
PROJECT NO: **** |
|---|--|

Thomas & Betts
www.tnb.com

DESCRIPTION:

STAINLESS STEEL RANGER CORD CONNECTORS

ORIGINAL PROJECT NO / (ERN NO)

RD55582 / (2007992)

SHEET NO:

1 OF 1

REV. NO:

0

DRAWING NO:

WSD-000335

THIS DRAWING IS INTENDED FOR DESCRIPTIVE PURPOSES ONLY. AND THE RIGHT IS RESERVED TO DEVIATE FROM ANY OF THE DETAILS SHOWN HEREON.

©2007 Thomas & Betts - Proprietary. All Rights Reserved