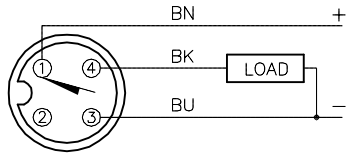
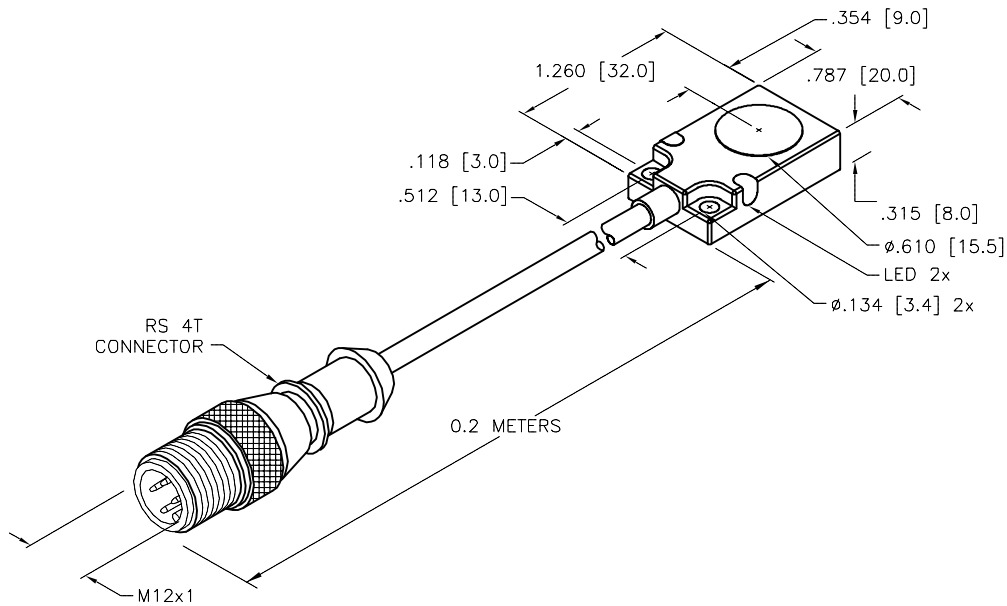


WIRING DIAGRAM



OUTPUT: AP6X2

SHORT-CIRCUIT AND OVERLOAD PROTECTED



SPECIFICATIONS

| | |
|------------------------------|--|
| RATED OPERATING DISTANCE | 5mm = .197" |
| MOUNTING MODE | FLUSH |
| TEMPERATURE DRIFT | ≤±10% ≤±15%, ≤25°C v ≥ +70°C |
| HYSTERESIS | 3-15% |
| MIN. REPEAT ACCURACY | ≤2% |
| OPERATING TEMPERATURE | -30°C to +85°C (-22°F to +185°F) |
| RATED OPERATIONAL VOLTAGE | 10-30 VDC |
| RESIDUAL RIPPLE | ≤10% |
| DC RATED OPERATIONAL CURRENT | ≤200 mA |
| NO-LOAD CURRENT | ≤15 mA |
| RESIDUAL CURRENT | ≤0.1 mA |
| RATED INSULATION VOLTAGE | ≤0.5 kV |
| SHORT-CIRCUIT PROTECTED | YES |
| MAX. VOLTAGE DROP | ≤1.8 V |
| REVERSE POLARITY PROTECTION | INCORPORATED |
| WIRE-BREAK PROTECTION | INCORPORATED |
| OUTPUT FUNCTION | NORMALLY OPEN, 3-WIRE, PNP |
| MAX. SWITCHING FREQUENCY | ≤0.25 kHz |
| HOUSING MATERIAL | METAL, GD-ZN, BLACK |
| ACTIVE FACE MATERIAL | PLASTIC, LCP-GF30, YELLOW |
| CABLE | ø4.0, LfY-11Y, TPU |
| SHOCK | 30 g, 11 ms |
| VIBRATION | 55 Hz, 1 mm AMPLITUDE (IN ALL 3 PLANES) |
| DEGREE OF PROTECTION | IP67 |
| OPERATING VOLTAGE DISPLAY | LED: GREEN |
| SWITCHING STATUS INDICATION | LED: YELLOW |

SOURCE DRAWING - FOR REFERENCE ONLY

| | | | | | |
|---|---------------------------|--|---|--|--------------------------------|
| RELATED DOCUMENTS 1. 2. 3. 4. | 3RD ANGLE PROJECTION | THIS DRAWING IS CONFIDENTIAL AND THE PROPERTY OF TURCK INC. USE OF THIS DOCUMENT WITHOUT WRITTEN PERMISSION IS PROHIBITED. | | 3000 CAMPUS DRIVE MINNEAPOLIS, MN 55441 1-800-544-7769 (763) 553-7300 (763) 553-0708 fax www.turck.us | |
| | MATERIAL SEE NOTES | ALL DIMENSIONS DISPLAYED ON THIS DRAWING ARE FOR REFERENCE ONLY | DRFT RDS DATE 08/17/09 | DESCRIPTION BI 5U-Q08-AP6X2-0.2M-RS 4T | |
| | | | DSGN SCALE 1=1.3 | | |
| | FINISH SEE NOTES | CONTACT TURCK FOR MORE INFORMATION | UNIT OF MEASUREMENT INCH [MILLIMETER] | | IDENTIFICATION NO. S1608990 |
| DO NOT SCALE THIS DRAWING | | FILE: S1608990 | | SHEET 1 OF 1 | |

| | | | | |
|-----|--|-----|----------|---------|
| B | DRAWING PROCESSED AS PART OF ECO 33971 | CBM | 04/06/11 | 33971 |
| REV | DESCRIPTION | BY | DATE | ECO NO. |