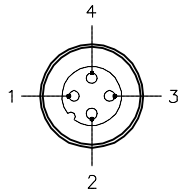
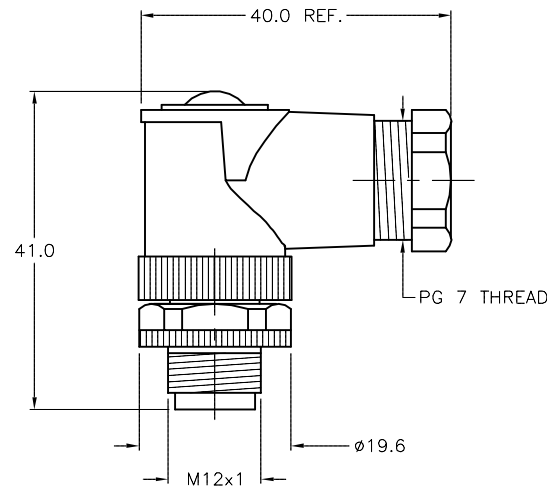


MALE END VIEW



SPECIFICATIONS

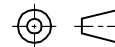
HOUSING MATERIAL/PLATING	PBT/BLACK
CONTACT MATERIAL/PLATING	BRASS/GOLD
COUPLING NUT MATERIAL/PLATING	BRASS/NICKEL
RATED CURRENT [A]	4.0 A
RATED VOLTAGE [V]	250 V
MAXIMUM WIRE SIZE	18 AWG
CABLE GRIP RANGE	4-6mm
TEMPERATURE RATING	-40°C to +85°C (-40°F to +185°F)
PROTECTION CLASS	IEC IP67
TERMINATION TYPE	SCREW TERMINAL



RELATED DOCUMENTS

- 1.
- 2.
- 3.
- 4.

3RD ANGLE PROJECTION



THIS DRAWING IS CONFIDENTIAL AND THE PROPERTY OF TURCK INC. USE OF THIS DOCUMENT WITHOUT WRITTEN PERMISSION IS PROHIBITED.



3000 CAMPUS DRIVE  
MINNEAPOLIS, MN 55441  
1-800-544-7769  
(763) 553-7300  
(763) 553-0708 fax  
www.turck.us

MATERIAL

SEE SPECIFICATIONS

FINISH

SEE SPECIFICATIONS

ALL DIMENSIONS DISPLAYED ON THIS DRAWING ARE FOR REFERENCE ONLY

CONTACT TURCK FOR MORE INFORMATION

DRFT CBM

DATE 05/04/99

APVD

SCALE 1 = 1.0

UNIT OF MEASUREMENT

**MILLIMETERS**

DO NOT SCALE THIS DRAWING

DESCRIPTION

BS 8241-0

IDENTIFICATION NO.

U6560

REV

G

FILE: U6560

SHEET 1 OF 1

G	UPDATE TEMPERATURE SPECS	RDS	04/11/17	59647
REV	DESCRIPTION	BY	DATE	ECO NO.