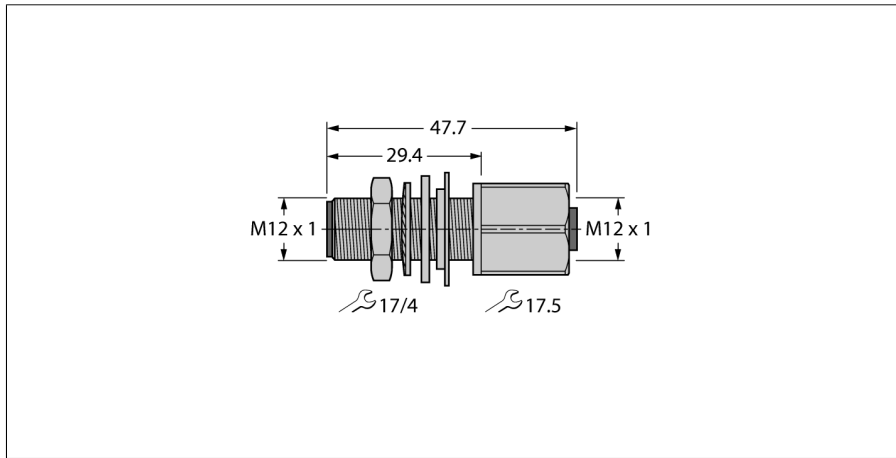


Accessories for actuator/sensor cables

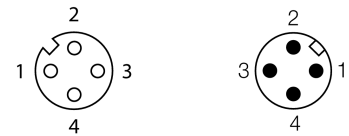
Wall Feedthrough

FK-FS4.4/M12

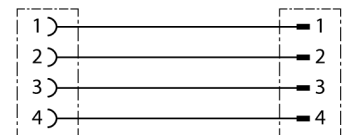


- M12 x 1 wall feedthrough, 4-pin
- Male on female
- Voltage: 150 V
- Ampacity: 4 A
- Temperature: -40...+80°C
- IEC IP68; NEMA 1, 3, 4, 6P
- Approval: UL, CSA

Pin Assignment



Circuit Diagram



Type designation	FK-FS4.4/M12
Ident-No.	6922806
Ident-No (TUSA)	U1135-1
<hr/>	
Connector A side	Male / Female, M12 x 1, Straight
Number of Pins	4
Contacts	Metal, CuZn, Gold-plated
Contact carriers	Plastic, TPU, Yellow
Grip	Metal, CuZn, nickel-plated
Coupling nut/screw	Brass
Screw-in thread	M12 x 1
Mechanical lifespan	> 100 mating cycles
Pollution degree	3
Protection class	IP68, (screwed together)
<hr/>	
Connector B side	Male receptacle
<hr/>	
Electrical features at +20 °C	
Rated Voltage	150 V
Ampacity	4 A
Insulation resistance	≥ 10 ⁸ Ω
Forward resistance	≤ 5 mΩ
<hr/>	
Stationary	-40...+80°C