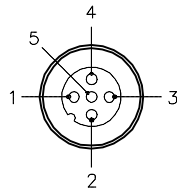
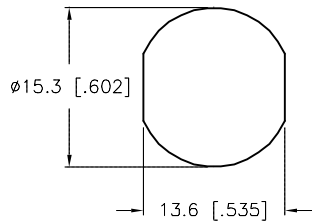


MALE END VIEW



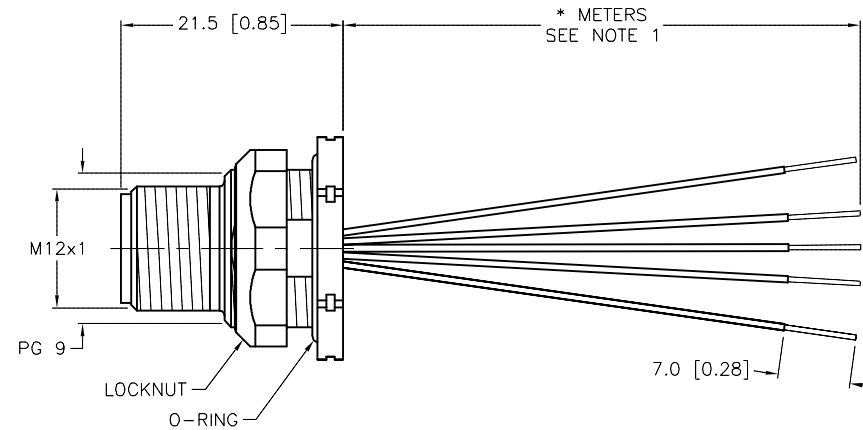
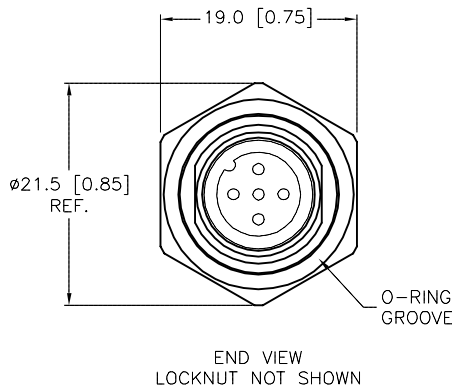
- 1 = BROWN
- 2 = WHITE
- 3 = BLUE
- 4 = BLACK
- 5 = GRAY

TYPICAL PANEL CUTOUT



SPECIFICATIONS

| | |
|-----------------------------------|-----------------------------------|
| CONTACT CARRIER MATERIAL | NYLON OR TPU |
| CONTACT MATERIAL/PLATING | BRASS/GOLD |
| RATED CURRENT [A] | 4.0 A |
| RATED VOLTAGE [V] | 250 V |
| HOUSING, LOCKNUT MATERIAL/PLATING | BRASS/NICKEL |
| O-RING MATERIAL | NITRILE (BUNA-N) |
| NUMBER OF CONDUCTORS [AWG] | 5x22 AWG |
| TEMPERATURE RATING | -40°C to +105°C (-40°F to +221°F) |
| PROTECTION CLASS | MEETS NEMA 1,3,4,6P AND IEC IP68 |
| MAX. PANEL THICKNESS | 3.0mm |



| CABLE LENGTH | TOLERANCE* |
|--------------|---|
| ALL LENGTHS | + 4% (OR 50mm) OF LENGTH - 0% (OR 0mm) OF LENGTH WHICHEVER IS GREATER |
| STRIP LENGTH | TOLERANCE* |
| 0-7mm | ±0.5mm |
| 8-29mm | ±1.0mm |
| 30-49mm | ±2.0mm |
| 50-69mm | ±3.0mm |
| 70-100mm | ±4.0mm |
| OVER 100mm | ±5.0mm |

* UNLESS OTHERWISE SPECIFIED

NOTES:

1. "*" INDICATES LEAD LENGTH IN METERS. CONTACT TURCK TO ORDER SPECIFIC LENGTHS.

SOURCE DRAWING - FOR REFERENCE ONLY

| | | | | | |
|--------------------|---|--|----|--|----------|
| RELATED DOCUMENTS | 3RD ANGLE PROJECTION | THIS DRAWING IS CONFIDENTIAL AND THE PROPERTY OF TURCK INC. USE OF THIS DOCUMENT WITHOUT WRITTEN PERMISSION IS PROHIBITED. | | TURCK INC High Technology Sensors and Automation Controls 3000 CAMPUS DRIVE MINNEAPOLIS, MN 55441 1-800-544-7769 (763) 553-7300 (763) 553-0708 fax turck.com | |
| 1. | | DRFT | JB | DATE | 05/09/01 |
| 2. | | APVD | | SCALE | 1=.8 |
| 3. | ALL DIMENSIONS DISPLAYED ON THIS DRAWING ARE FOR REFERENCE ONLY | UNIT OF MEASUREMENT | | DESCRIPTION | |
| 4. | | MILLIMETER [INCH] | | FSFD 4.5-* | |
| MATERIAL | CONTACT TURCK FOR MORE INFORMATION | DO NOT SCALE THIS DRAWING | | IDENTIFICATION NO. | REV |
| SEE SPECIFICATIONS | | | | FILE: 777000766 | C |
| FINISH | | | | | |
| SEE SPECIFICATIONS | | | | | |

| | | | | |
|-----|---------------------|----|----------|---------|
| C | ADD O-RING MATERIAL | NF | 07/21/15 | 50682 |
| REV | DESCRIPTION | BY | DATE | ECO NO. |