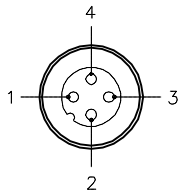


MALE END VIEW

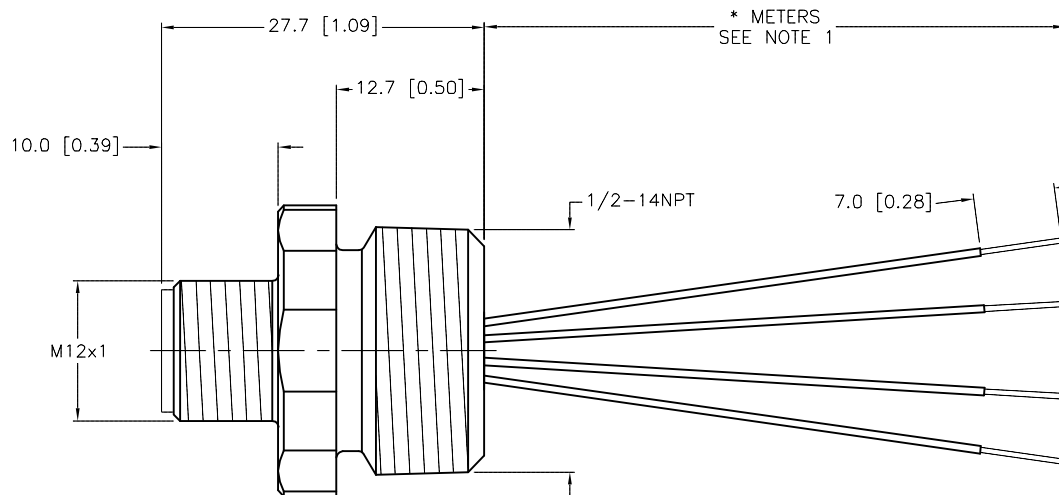
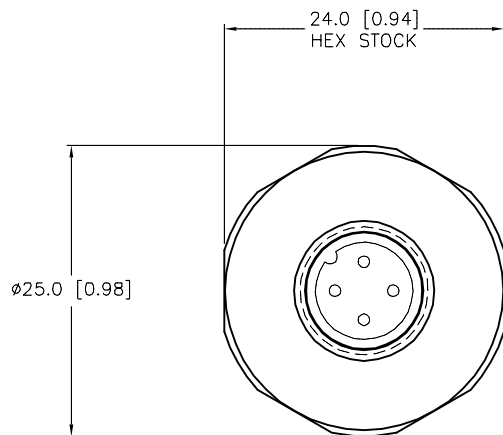


- 1 = BROWN
- 2 = WHITE
- 3 = BLUE
- 4 = BLACK



SPECIFICATIONS

| | |
|---------------------------------|-----------------------------------|
| CONTACT CARRIER MATERIAL | NYLON OR TPU |
| CONTACT MATERIAL/PLATING | BRASS/GOLD |
| HOUSING/LOCKNUT MATERIAL/FINISH | STAINLESS STEEL/PASSIVATED |
| RATED CURRENT [A] | 4.0 A |
| RATED VOLTAGE [V] | 250 V |
| CONDUCTOR INSULATION MATERIAL | PVC |
| NUMBER OF CONDUCTORS [AWG] | 4x22 AWG |
| TEMPERATURE RANGE | -40°C to +105°C (-40°F to +221°F) |
| PROTECTION CLASS | MEETS NEMA 1,3,4,6P AND IEC IP68 |



| CABLE LENGTH | TOLERANCE* |
|--------------|---|
| ALL LENGTHS | + 4% (OR 50mm) OF LENGTH - 0% (OR 0mm) OF LENGTH WHICHEVER IS GREATER |
| STRIP LENGTH | TOLERANCE* |
| 0-7mm | ±0.5mm |
| 8-29mm | ±1.0mm |
| 30-49mm | ±2.0mm |
| 50-69mm | ±3.0mm |
| 70-100mm | ±4.0mm |
| OVER 100mm | ±5.0mm |

* UNLESS OTHERWISE SPECIFIED

NOTES:

1. "*" INDICATES LEAD LENGTH IN METERS. CONTACT TURCK TO ORDER SPECIFIC LENGTHS.

SOURCE DRAWING - FOR REFERENCE ONLY

| | | | | | |
|---|--------------------------|--|----|---|----------|
| RELATED DOCUMENTS 1. 2. 3. 4. | 3RD ANGLE PROJECTION | THIS DRAWING IS CONFIDENTIAL AND THE PROPERTY OF TURCK INC. USE OF THIS DOCUMENT WITHOUT WRITTEN PERMISSION IS PROHIBITED. | | 3000 CAMPUS DRIVE MINNEAPOLIS, MN 55441 1-800-544-7769 (763) 553-7300 (763) 553-0708 fax turck.com | |
| | | DRFT | JB | DATE | 07/18/02 |
| MATERIAL | SEE SPECIFICATIONS | APVD | | SCALE | 1=.7 |
| FINISH | SEE SPECIFICATIONS | UNIT OF MEASUREMENT MILLIMETER [INCH] | | IDENTIFICATION NO. | |
| | | CONTACT TURCK FOR MORE INFORMATION | | REV D | |
| | | DO NOT SCALE THIS DRAWING | | FILE: 777001156 | |
| | | | | SHEET 1 OF 1 | |

| | | | | |
|-----|------------------------|-----|----------|---------|
| D | UPDATE HOUSING PER ECO | KMY | 03/08/13 | 41525 |
| REV | DESCRIPTION | BY | DATE | ECO NO. |