

CABLE LENGTH	TOLERANCE*
ALL LENGTHS	+ 4% (OR 50mm) OF LENGTH - 0% (OR 0mm) OF LENGTH WHICHEVER IS GREATER
STRIP LENGTH	TOLERANCE*
0-7mm	±0.5mm
8-29mm	±1.0mm
30-49mm	±2.0mm
50-69mm	±3.0mm
70-100mm	±4.0mm
OVER 100mm	±5.0mm

* UNLESS OTHERWISE SPECIFIED

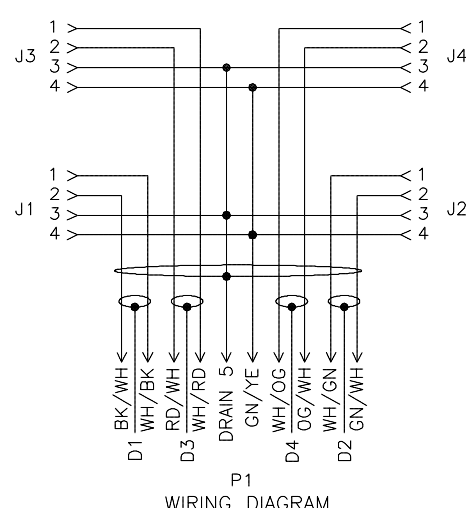


CLOSURE CAPS
(2 INCLUDED)

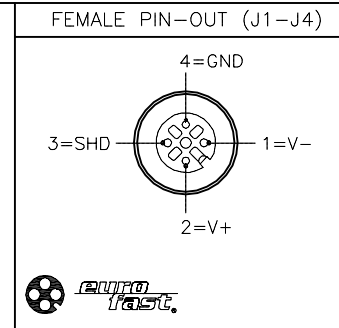
NOTES:

- "*" INDICATES CABLE LENGTH IN METERS. CONTACT TURCK TO ORDER SPECIFIC LENGTHS.

SPECIFICATIONS	
CABLE DATA	
NUMBER OF CONDUCTORS [AWG]	8x22 AWG, 1x18 AWG GROUND
DRAIN/SHIELD	5x22 AWG DRAINS/ALUMINUM FOIL SHIELDED
CONDUCTOR INSULATION MATERIAL	PVC
OUTER JACKET MATERIAL/COLOR	PVC/PLUM
CONDUCTOR ARRANGEMENT	4 STP W/DRAIN, 1 GND, 1 DRN
CABLE RATINGS	UL: ITC/PLTC/AWM, 105°C, 300 V CSA: CMG/AWM, 105°C, 300 V
MATERIAL	
HOUSING/COLOR	NYLON/BLACK
RECEPTACLE/PLATING	BRASS/NICKEL
CONTACT CARRIERS/COLOR	NYLON/BLACK
CONTACTS/PLATING	BRASS/GOLD
SEALING RING	FKM/FPM
ELECTRICAL DATA	
OPERATING VOLTAGE	10-48 VDC
OPERATING CURRENT	4.0 AMPS PER PORT, 9.0 AMPS TOTAL
SPACINGS	to VDE 0110 GROUP C
MECHANICAL DATA	
PROTECTION CLASS to DIN 40050	IP 67 - ONLY WHEN ALL RECEPTACLES ARE COVERED WITH PLUGS OR CONNECTED
OPERATING TEMPERATURE	-30°C to +80°C (-25°F to +176°F)



P1
WIRING DIAGRAM



SOURCE DRAWING - FOR REFERENCE ONLY

RELATED DOCUMENTS	3RD ANGLE PROJECTION	THIS DRAWING IS CONFIDENTIAL AND THE PROPERTY OF TURCK INC. USE OF THIS DOCUMENT WITHOUT WRITTEN PERMISSION IS PROHIBITED.		3000 CAMPUS DRIVE MINNEAPOLIS, MN 55441 1-800-544-7769 (763) 553-7300 (763) 553-0708 fax www.turck.us	
1. 2. 3. 4.		DRFT	JB	DATE	05/09/03
MATERIAL	SEE SPECIFICATIONS	APVD	GC	SCALE	1=2
FINISH	SEE SPECIFICATIONS	UNIT OF MEASUREMENT		DESCRIPTION	
	CONTACT TURCK FOR MORE INFORMATION	MILLIMETER [INCH]		P-4MB12-4-960-*	
		DO NOT SCALE THIS DRAWING		IDENTIFICATION NO.	REV
				FILE: EURO-B\777001961	D
				SHEET 1 OF 1	

REV	DESCRIPTION	BY	DATE	ECO NO.
D	UPDATED SEALING RING MATERIAL PER ECO	TV	08/11/16	56141