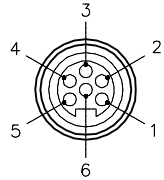
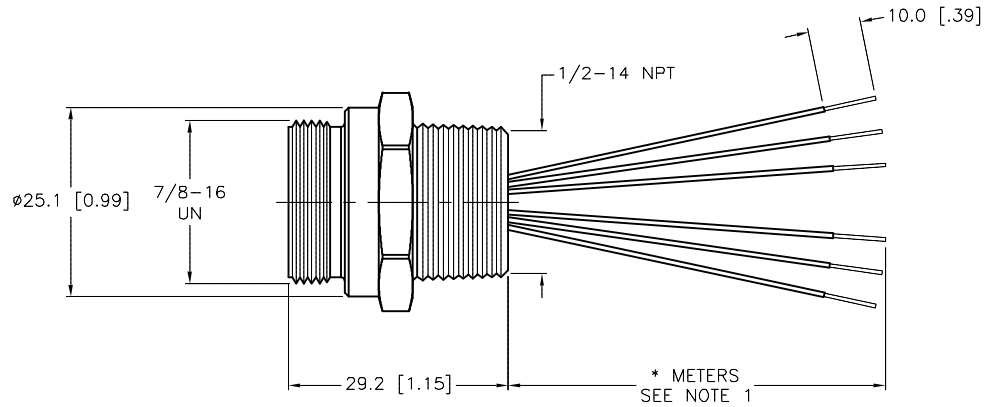
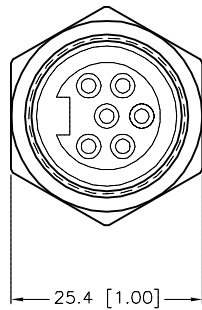


MALE END VIEW



- 1 = WHITE
- 2 = RED
- 3 = GREEN
- 4 = ORANGE
- 5 = BLACK
- 6 = BLUE



SPECIFICATIONS

CONTACT CARRIER MATERIAL	TPU
CONTACT MATERIAL/PLATING	BRASS/GOLD
HOUSING MATERIAL/COLOR	ZINC ALLOY/NICKEL
RATED CURRENT [A]	8.0 A
RATED VOLTAGE [V]	600 V
CONDUCTOR INSULATION MATERIAL	PVC
NUMBERS OF CONDUCTORS [AWG]	6x16 AWG
TEMPERATURE RATING	-30°C to +80°C (-22°F to +176°F)
PROTECTION CLASS	MEETS NEMA 1,3,4,6P AND IEC IP67

CABLE LENGTH	TOLERANCE *
ALL LENGTHS	+ 4% (OR 50mm) OF LENGTH - 0% (OR 0mm) OF LENGTH WHICHEVER IS GREATER
STRIP LENGTH	TOLERANCE *
0-7mm	±0.5mm
8-29mm	±1.0mm
30-49mm	±2.0mm
50-69mm	±3.0mm
70-100mm	±4.0mm
OVER 100mm	±5.0mm

* UNLESS OTHERWISE SPECIFIED

NOTES:

1. "*" INDICATES LEAD LENGTH IN METERS. CONTACT TURCK TO ORDER SPECIFIC LENGTHS.

SOURCE DRAWING - FOR REFERENCE ONLY

RELATED DOCUMENTS	3RD ANGLE PROJECTION	THIS DRAWING IS CONFIDENTIAL AND THE PROPERTY OF TURCK INC. USE OF THIS DOCUMENT WITHOUT WRITTEN PERMISSION IS PROHIBITED.	 High Technology Sensors and Automation Controls	3000 CAMPUS DRIVE MINNEAPOLIS, MN 55441 1-800-544-7769 (763) 553-7300 (763) 553-0708 fax turck.com			
1.				DRFT	RDS	DATE 07/17/03	DESCRIPTION
2.		MATERIAL	SEE SPECIFICATIONS	APVD	SCALE 1=1.0	RSF 66-*M/NPT	
3.	ALL DIMENSIONS DISPLAYED ON THIS DRAWING ARE FOR REFERENCE ONLY	FINISH	SEE SPECIFICATIONS	UNIT OF MEASUREMENT		IDENTIFICATION NO.	REV
4.		CONTACT TURCK FOR MORE INFORMATION	MILLIMETER [INCH]		FILE: 777002963	B	
B UPDATE RATED CURRENT		KMY	06/06/12	39028	DO NOT SCALE THIS DRAWING		SHEET 1 OF 1
REV	DESCRIPTION	BY	DATE	ECO NO.			