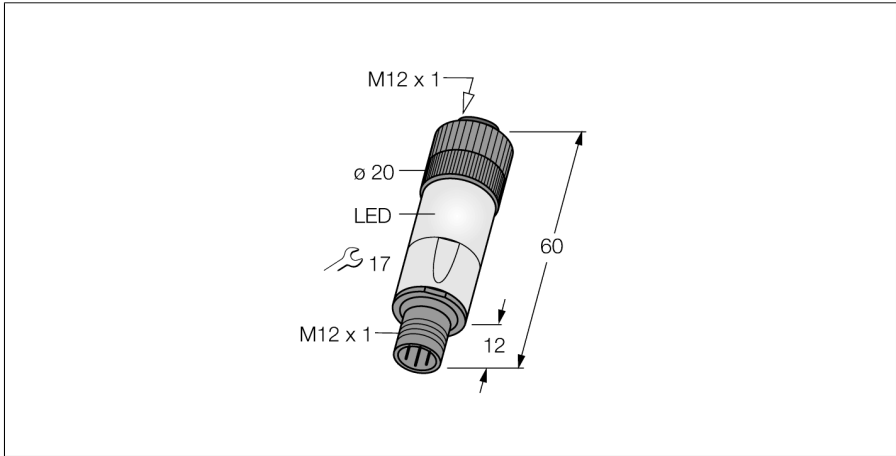
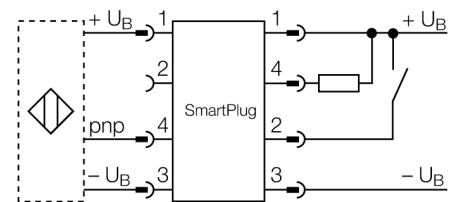


SmartPlug
pnp/npn converter
SPN1-AP6-ARN6X



- multifunctional adapter for connection to standard sensors
- Degree of protection IP67
- 4-pin M12 x 1, female connector
- 4-pin M12 x 1, male connector
- 4-wire, 10...30 VDC
- Amplification of switching capacity
- max. output current 400 mA

Wiring Diagram



Functional principle

The SmartPlug Inverter SPN1-AP6-ARN6X inverts the signal of the connected sensor from pnp to npn. Additionally, the output function can be changed with the control line (NO/NC).

Type designation	SPN1-AP6-ARN6X
Ident-No.	A0624
Ident-No (TUSA)	A0624
Ambient temperature	0...+60 °C
Operating voltage	10...30 VDC
Output function	4-wire
Protection class	☐
Dimensions	60 mm
Housing material	Plastic
Protection class	IP67

SmartPlug
pnp/npn converter
SPN1-AP6-ARN6X



Function accessories

Type code	Ident-No.	Description
VB2-SP1	A3501-29	