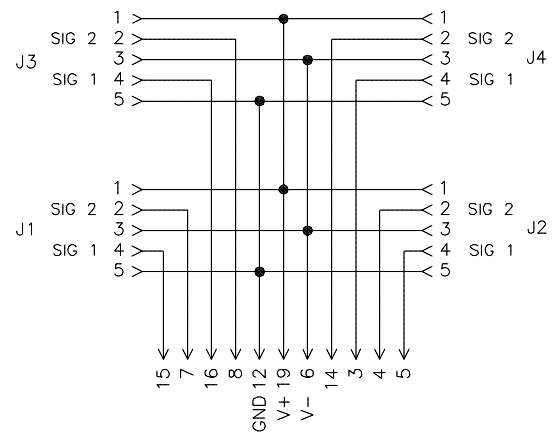
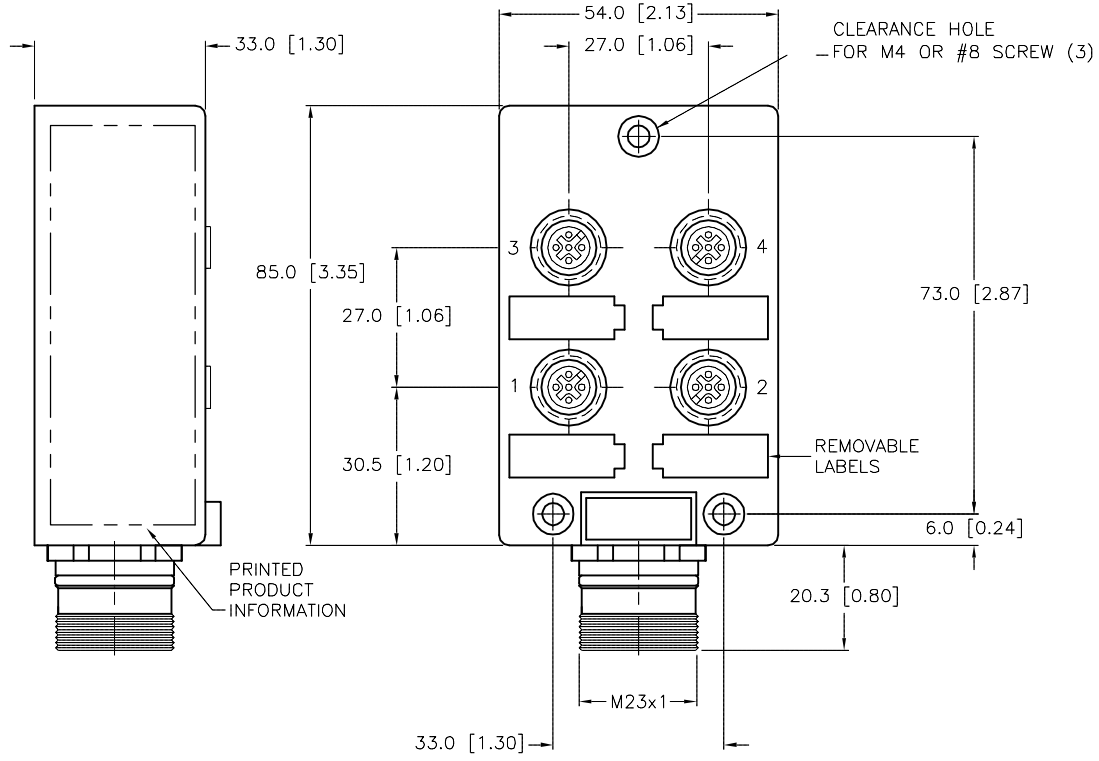


SPECIFICATIONS	
CABLE DATA	
MATING CORDSET	CKM 19-11-* or CKM19-11-*/S90
MATERIAL	
HOUSING/COLOR	NYLON/YELLOW
RECEPTACLE HOUSING/FINISH	NICKEL-PLATED BRASS
CONTACT CARRIERS/COLOR	NYLON OR TPU/BLACK
CONTACTS	GOLD-PLATED BRASS
SEALING O-RING	VITON O-RING
ELECTRICAL DATA	
OPERATING VOLTAGE	10-48 VDC
MAXIMUM CURRENT	4.0 AMPS PER PORT, 9.0 AMPS TOTAL
SPACINGS	to VDE 0110 GROUP C
MECHANICAL DATA	
PROTECTION CLASS to DIN 40050	IP 67 - ONLY WHEN ALL RECEPTACLES ARE COVERED WITH PLUGS OR CONNECTED
OPERATING TEMPERATURE	-30°C to +80°C (-22°F to +176°F)



WIRING DIAGRAM

SOURCE DRAWING - FOR REFERENCE ONLY



CLOSURE CAPS  
2 (INCLUDED)

RELATED DOCUMENTS 1. 2. 3. 4.	3RD ANGLE PROJECTION 	THIS DRAWING IS CONFIDENTIAL AND THE PROPERTY OF TURCK INC. USE OF THIS DOCUMENT WITHOUT WRITTEN PERMISSION IS PROHIBITED.		3000 CAMPUS DRIVE MINNEAPOLIS, MN 55441 1-800-544-7769 (763) 553-7300 (763) 553-0708 fax turck.com		
	MATERIAL SEE SPECIFICATIONS	DRFT RJP APVD	DATE 07/05/96 SCALE 1=1.5	DESCRIPTION VB 40.5-CS19		
	FINISH SEE SPECIFICATIONS	ALL DIMENSIONS DISPLAYED ON THIS DRAWING ARE FOR REFERENCE ONLY CONTACT TURCK FOR MORE INFORMATION	UNIT OF MEASUREMENT <b>MILLIMETER [ INCH ]</b>		IDENTIFICATION NO. U7016-1	REV E
	DO NOT SCALE THIS DRAWING		FILE: U7016-1		SHEET 1 OF 1	

E	UPDATED CLOSURE CAPS	TV	09/15/15	48811
REV	DESCRIPTION	BY	DATE	ECO NO.