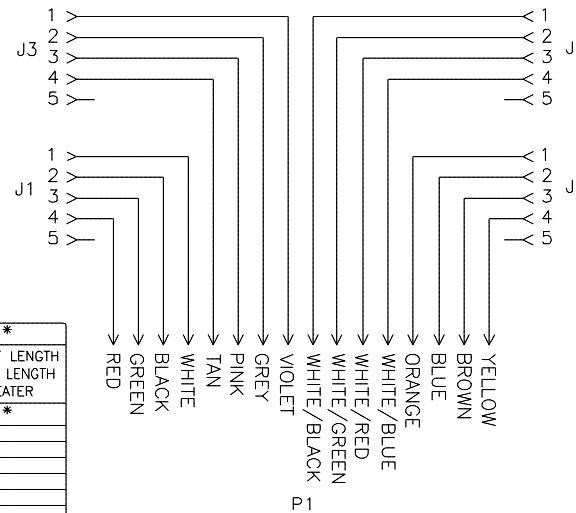


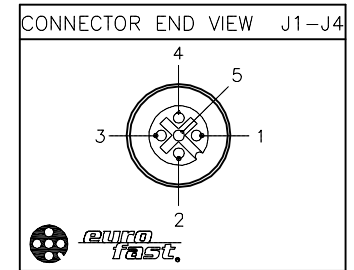
* METERS
SEE NOTE 1

CABLE LENGTH	TOLERANCE*
ALL LENGTHS	+ 4% (OR 50mm) OF LENGTH - 0% (OR 0mm) OF LENGTH WHICHEVER IS GREATER
STRIP LENGTH	TOLERANCE*
0-7mm	±0.5mm
8-29mm	±1.0mm
30-49mm	±2.0mm
50-69mm	±3.0mm
70-100mm	±4.0mm
OVER 100mm	±5.0mm

* UNLESS OTHERWISE SPECIFIED



WIRING DIAGRAM



CLOSURE CAPS
(2 INCLUDED)

SPECIFICATIONS

CABLE DATA

NUMBER OF CONDUCTORS [AWG]	16x22 AWG
DRAIN/SHIELD	NONE
CONDUCTOR INSULATION MATERIAL	OIL RESISTANT PVC
OUTTER JACKET MATERIAL/COLOR	PLTC-FT4 PVC/BLUE

MATERIAL

HOUSING/COLOR	NYLON/BLUE
RECEPTACLE/PLATING	BRASS/NICKEL
CONTACT CARRIERS/COLOR	TPU/BLACK
CONTACTS/PLATING	BRASS/GOLD
SEALING RING	FKM/FPM

ELECTRICAL DATA

OPERATING VOLTAGE	100 VDC
OPERATING CURRENT	4.0 AMPS PER PORT, 9.0 AMPS TOTAL
SPACINGS	to VDE 0110 GROUP C

MECHANICAL DATA

PROTECTION CLASS to DIN 40050	IP 67 - ONLY WHEN ALL RECEPTACLES ARE COVERED WITH PLUGS OR CONNECTED
OPERATING TEMPERATURE	-30°C to +80°C (-25°F to +176°F)

SOURCE DRAWING - FOR REFERENCE ONLY

NOTES:

1. "*" INDICATES CABLE LENGTH IN METERS. CONTACT TURCK TO ORDER SPECIFIC LENGTHS.

RELATED DOCUMENTS 1. 2. 3. 4.	3RD ANGLE PROJECTION 	THIS DRAWING IS CONFIDENTIAL AND THE PROPERTY OF TURCK INC. USE OF THIS DOCUMENT WITHOUT WRITTEN PERMISSION IS PROHIBITED.		3000 CAMPUS DRIVE MINNEAPOLIS, MN 55441 1-800-544-7769 (763) 553-7300 (763) 553-0708 fax www.turck.us	
		DRFT DF	DATE 01/27/99	DESCRIPTION VB 4X1.5N-*	
MATERIAL SEE SPECIFICATIONS	ALL DIMENSIONS DISPLAYED ON THIS DRAWING ARE FOR REFERENCE ONLY	APVD DF	SCALE 1=1.5		
FINISH SEE SPECIFICATIONS		CONTACT TURCK FOR MORE INFORMATION	UNIT OF MEASUREMENT MILLIMETER [INCH]		
G	UPDATED SEALING MATERIAL PER ECO	TV	08/09/16	56141	IDENTIFICATION NO. REV G
REV	DESCRIPTION	BY	DATE	ECO NO.	
DO NOT SCALE THIS DRAWING		FILE: 777000369		SHEET 1 OF 1	