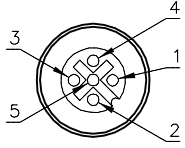
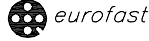
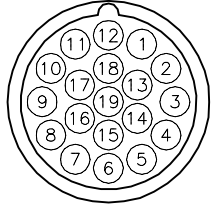
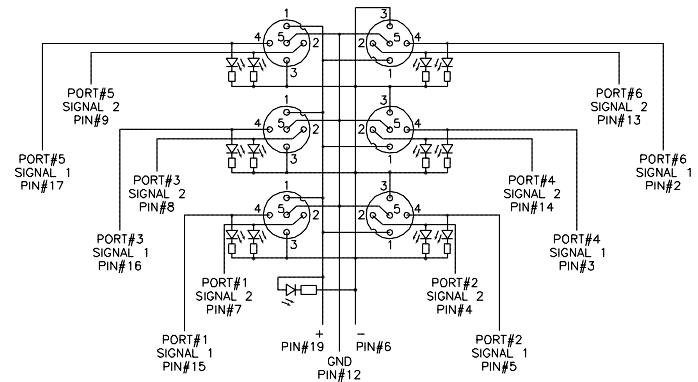
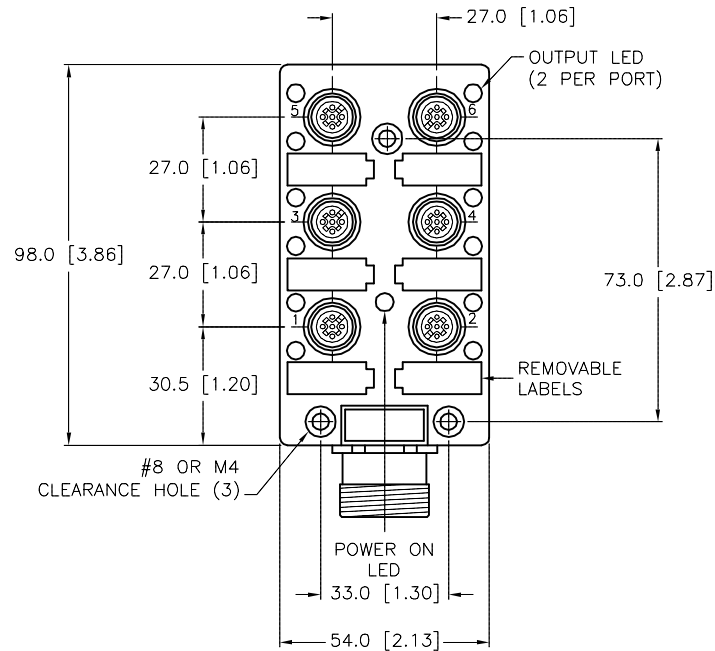


| CONNECTORS J1-J6 | CS 19 PINOUT | SPECIFICATIONS | |
|--|---|-------------------------------|---|
|   |  | CONNECTOR | CS 19 SERIES |
| | | MATING CORDSET | CK 19-15-* |
| | | HOUSING | PA 6 GF 30 (NYLON) |
| | | CONTACT CARRIERS | TPU |
| | | CONTACTS | GOLD PLATED COPPER ALLOY |
| | | RECEPTACLES/DISCONNECT | NICKEL PLATED BRASS |
| | | SEALING RING | VITON O-RING |
| | | OPERATING VOLTAGE | 10-48 VDC |
| | | MAXIMUM CURRENT | 3 AMPS PER PORT, 9 AMPS TOTAL |
| | | INSULATION CLASS | CLASS C to DIN VDE 0110 |
| | | LED FUNCTION | FOR PNP SENSOR OUTPUT |
| | | PROTECTION CLASS to DIN 40050 | IP 67 - ONLY WHEN ALL RECEPTACLES ARE COVERED WITH PLUGS OR CONNECTED |
| | | OPERATING TEMPERATURE | -40°C to 90°C (-40°F to 194°F) |

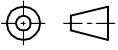


WIRING DIAGRAM

SOURCE DRAWING - FOR REFERENCE ONLY



- USE MATING CORDSET CK 19-15-* (SOLD SEPERATELY).
- HOUSING THICKNESS IS 33.0 mm.

| | | | | | |
|---|---|--|----------|---|-----------------------------------|
| RELATED DOCUMENTS 1. 2. 3. 4. | 3RD ANGLE PROJECTION  | THIS DRAWING IS CONFIDENTIAL AND THE PROPERTY OF TURCK INC. USE OF THIS DOCUMENT WITHOUT WRITTEN PERMISSION IS PROHIBITED. | | 3000 CAMPUS DRIVE MINNEAPOLIS, MN 55441 1-800-544-7769 (763) 553-7300 (763) 553-0708 fax turck.com | |
| | MATERIAL | ALL DIMENSIONS DISPLAYED ON THIS DRAWING ARE FOR REFERENCE ONLY | DRFT RJP | DATE 10/3/96 | DESCRIPTION VB 60.5-P7X13-CS19 |
| FINISH | CONTACT TURCK FOR MORE INFORMATION | UNIT OF MEASUREMENT MILLIMETER [INCH] | | IDENTIFICATION NO. U0222-1 | REV F |
| F UPDATED CLOSURE CAPS | TV 09/14/15 48811 | DO NOT SCALE THIS DRAWING | | FILE: U0222-1 | SHEET 1 OF 1 |
| REV DESCRIPTION | BY DATE ECO NO. | | | | |