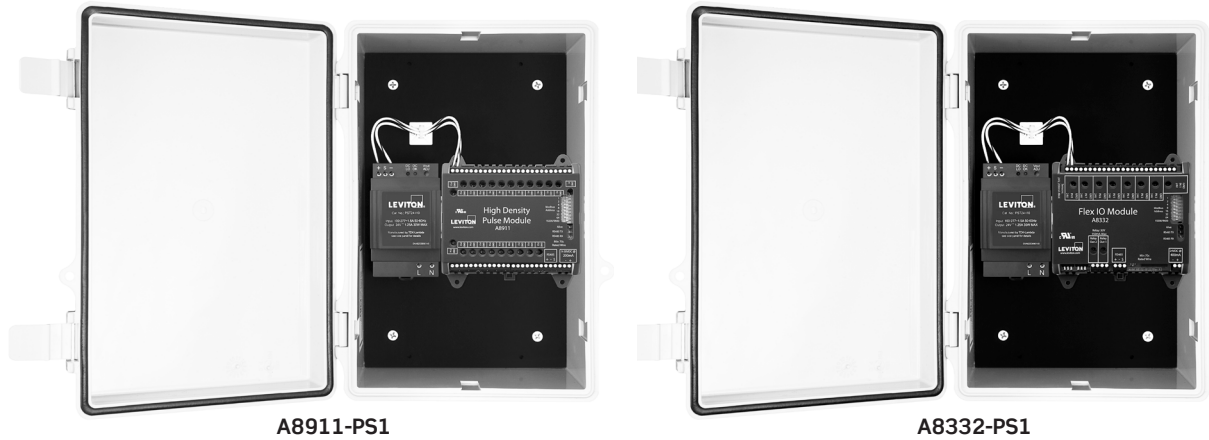


VerifEye™ NEMA Communication Bundles

HD Pulse & Flex I/O Bundles



A8911-PS1

A8332-PS1

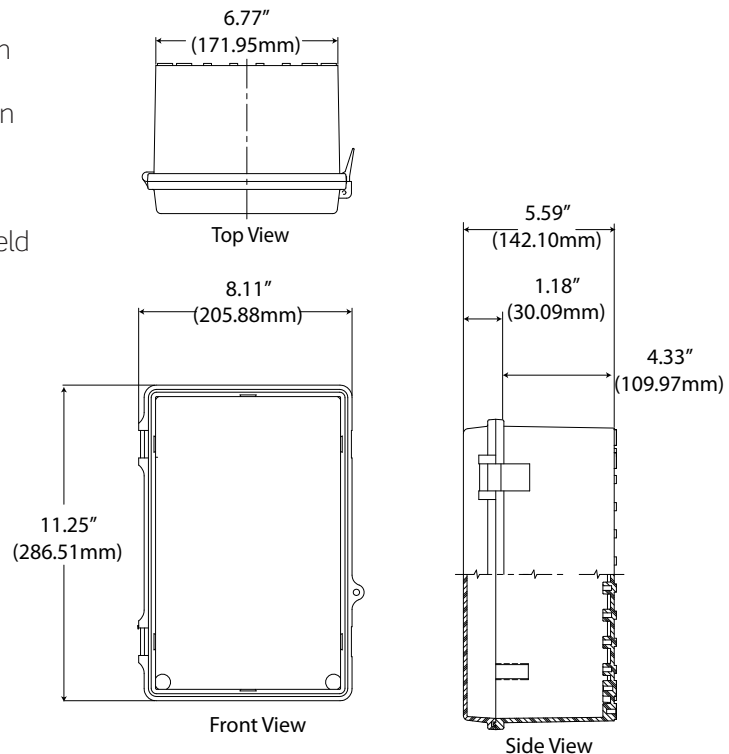
DESCRIPTION

Leviton VerifEye™ NEMA Communication Bundles combine VerifEye's Data Acquisition Products into one enclosure for a Leviton-exclusive, all-in-one-bundled communication solution for indoor use. All VerifEye NEMA communication bundles have one part number and are factory pre-assembled for ease of ordering eliminating the need for field assembly.

COMMUNICATION BUNDLES

- (A8911-PS1) HD Pulse communication bundle includes:
 - HD Pulse Module
 - Line voltage DIN rail-mounted power supply
 - Wall brackets
 - NEMA 4X enclosure
- (A8332-PS1) Flex I/O communication bundle includes:
 - Flex I/O Module
 - Line voltage DIN rail-mounted power supply
 - Wall brackets
 - NEMA 4X enclosure

DIMENSIONS



Note: Meters sold separately for all communication bundles; contact your local Leviton sales representative for more information or visit www.Leviton.com/verifeye.

Note: BMO 2.0 software is FREE with purchase of any VerifEye data acquisition hub,

PRODUCT DATA



VeriEye™ NEMA HD Pulse and Flex I/O Communication Bundles

SPECIFICATIONS	A8911-PS1	A8332-PS1
Processor	ARM7 field upgradeable firmware	
Memory	Pulse count and run time values are stored in non-volatile memory	
LEDs	23x input status LEDs (red), 2 ModBus TX/RX (yellow), 1 power/alive status (green)	8x input status LEDs (red), 2x ModBus TX/RX (yellow), 1 power/alive status (green)
POWER		
Power Supply Input	0-304VAC, 50/60 Hz, 1.5 maximum at 90VAC, Class II, double insulated	
COMMUNICATION		
Protocols	ModBus/RTU	
INPUTS		
Voltage Mode	—	0-10VDC (min/max/average/instantaneous data) accuracy +/- 0.25% of full scale at 20C
Current Mode		4-20mA (min/max/average/instantaneous data) accuracy +/- 0.25% of full scale at 20C
Resistance Mode		100 ohms (Ω) to 100k (see installation for accuracy specifications)
Pulse Mode	<ul style="list-style-type: none"> 23 independent pulse count points Intended for use with isolated dry contact outputs Pulse rate/width user selectable to 10 Hz, 50 Hz, or 100 Hz Pulse rate option: 10 Hz, minimum pulse width 50ms Pulse rate option: 50 Hz, minimum pulse width 10ms Pulse rate option: 100 Hz, minimum pulse width 5ms Contact closure threshold: 100Ω to 2.5kΩ user selectable Pulse count values are stored in non-volatile memory 32 bit pulse counter: Rollover at 4.295 billion per channel 	<ul style="list-style-type: none"> Intended for use with dry contact outputs (consumption/rate/runtime/status) Standard and KYZ modes for A and C relay outputs Input terminals supplies 5V at 5mA sense voltage to detect contact closures Maximum rate: 10 Hz, minimum pulse width 50ms Adjustable contact closure threshold: 100Ω to 5kΩ, broken wire sense above 10kΩ optional
Serial Port	RS485 two wire, 19200 or 9600 baud, 8N1	
I/O	23x inpulse inputs	8x Flex IO inputs with user selectable modes: voltage, current, resistance, pulse and status
Isolation	Not isolated	Relay outputs and RS485 ports are isolated to 1500VDC; power input, RS232 and analog/pulse inputs are non-isolated
OUTPUTS		
Relays	—	2x, dry contact (opto-fet) 30 VDC, 150 mA max
PHYSICAL		
Weight	3.7oz (105g)	
Size	4.13" x 3.39" x 1.18" (105mm x 86mm x 30mm)	
ENVIRONMENT		
North America	-13-159°F (-25-71°C), 20-90% RH, non-condensing	
Altitude/Pollution	2000M max, degree 2	
CODES & STANDARDS		
Emissions	FCC CFR 47 PART 15, Class A, EN 61000, EN 61326; Power Supply: EN55022 Class A	
Safety	UL61010 recognized, EN61010; Power supply: UL60950-1, EN60950-1, evaluated to NEC NFPA70 Class 2 output per UL1310, CE	

ORDERING INFORMATION

CAT. NO.	DESCRIPTION
A8911-PS1	HD Pulse Module with line voltage power supply, NEMA 4X enclosure
A8332-PS1	Flex I/O Module with line voltage power supply, NEMA 4X enclosure

Leviton Mfg. Co., Inc. Lighting & Energy Solutions

20497 SW Teton Avenue, Tualatin, OR 97062 1-800-736-6682 Tech Line: 1-800-959-6004 Fax: 503-404-5594
 © 2014 Leviton Manufacturing Co., Inc. All rights reserved. Subject to change without notice.

G-9424/L14-aa