

4

3

2

REV. A	SHEET 1 OF 1	DOCUMENT NO. WFRS-6036
REVISIONS		
LTR	DESCRIPTION	DATE
A	INITIAL RELEASE	12-7-04

DOCUMENT NO. WFRS-6036

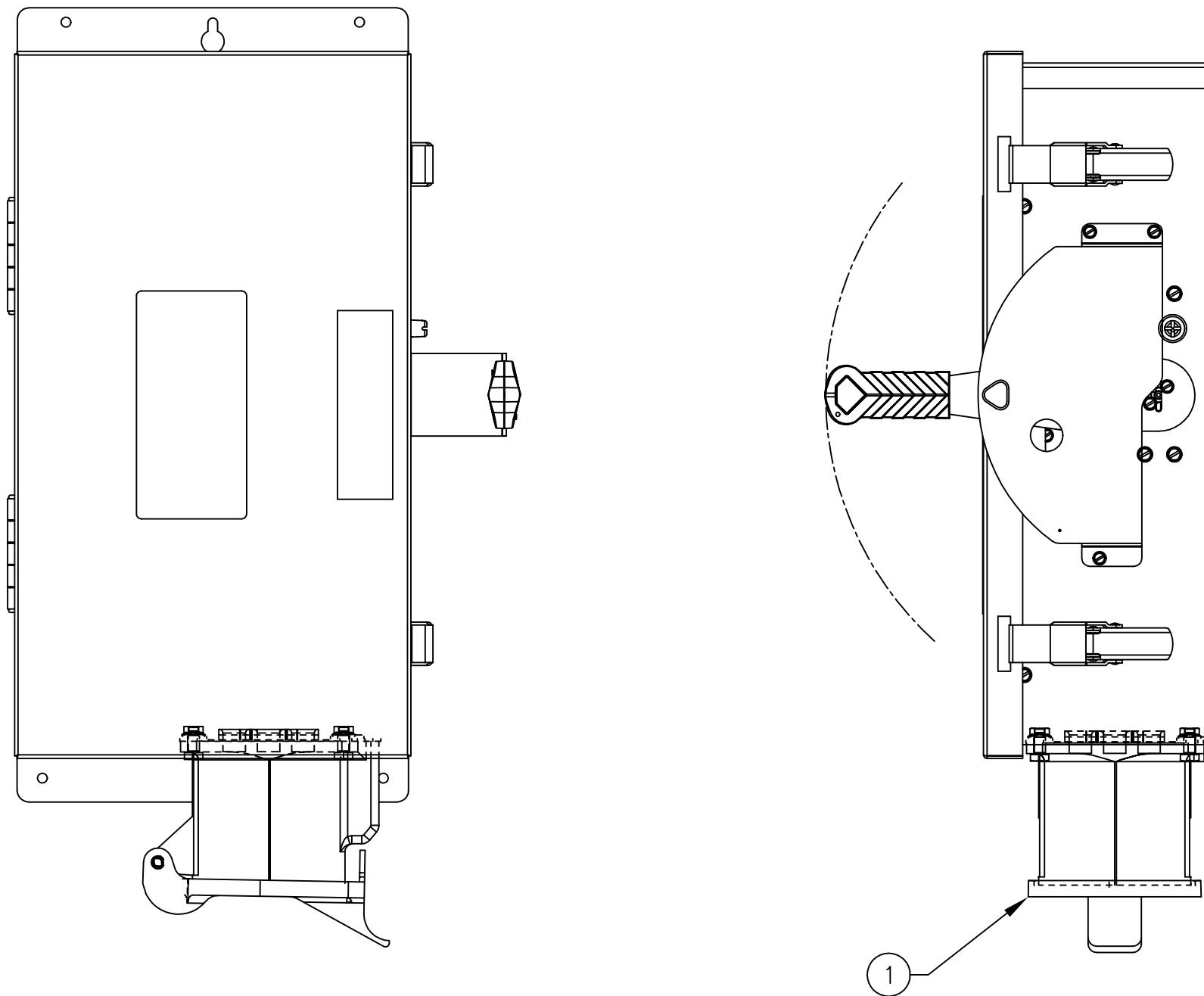
SHEET 1 OF 1

REV. A

C

B

A



2. ITEM #1 SHIPPED TO VENDOR FOR ASSEMBLY. TOP LEVEL PART TO BE PURCHASED AS COMPLETE ASSEMBLY.

1. THIS ASSEMBLY EQUIVALENT TO SIEMENS P/N F352HPN.

NOTES:

THE USE OF THIS DOCUMENT IS UNLIMITED. HOWEVER, DOCUMENTS REFERENCED HEREON MAY CONTAIN LIMITED RIGHTS DATA.

UNLESS OTHERWISE SPECIFIED	SPECIFICATIONS
LINEAR DIMENSIONS ARE IN INCHES TOLERANCES: .XXXX = ±.0005 ANGLES = ±2' ? .XXX = ±.010 ? .XX = ±.03 ? .X = ±.1	MATERIAL SPEC.
DIM. & TOL. PER ASME Y14.5M; DRM PER MIL-DTL-31000; OTHER Amphenol Stds. PER 9-3800	PROCESS SPEC.
LEGENDS: △ = FLAG NOTE CALL OUT REFERENCE ONLY	9-9380

1	1	JRC-460-INT-12	RECEPTACLE ASSEMBLY	2
POS	QTY	PART NUMBER	DESCRIPTION	NOTE
PARTS LIST				
APPROVALS		DATE	AMPHENOL CORPORATION	
PREPARED BY	P.BRUNING	12-7-04	40-60 DELAWARE AVENUE SIDNEY, N.Y. 13838	
ENGINEER IN CHARGE	A.POLISHAK		SWITCH, 60 AMP	
DESIGN MANAGER	D.GALLUSSER		TOP LEVEL ASSEMBLY	
DESIGN ACTIVITY GROUP	C&I		U	
THIRD ANGLE PROJECTION			SIZE C	REV. A
CAGE CODE 77820		DOCUMENT NO. WFRS-6036		SCALE: NONE
REF: WFRS-6036		SHEET 1 OF 1		

PRO/ENGINEER INFORMATION	
Pro/e Model Used:	
AUTOCAD DRAWING	
Drawing Name:	
WFRS-6036	

NEXT ASSEMBLY

DOCUMENT NO. WFRS-6036

SHEET 1 OF 1

REV. A

4

3

2

1