

## Evolution Series – The most innovative poke-thru devices in the market

Designed for retrofit and new construction, Evolution Series 8" Poke-Thru devices provide convenient access to power, communications, and audio/video services recessed below floor level - providing maximum device protection. With 5-gangs of capacity that allow you to configure services for the needs of your space, services can be placed in any location within the unit.

The low-profile durable metal covers are available in six powder-coated finishes, designed to match any space. The cover also features sliding doors that allow cables to neatly egress from the unit, protecting cables while reducing tripping hazards.

Evolution Series 8" Poke-Thru devices are the perfect fit for meeting and training rooms, classrooms, healthcare facilities or commercial buildings with open-space architecture.



The interior of the Evolution™ Series 8" Poke-Thru Device.

### FEATURES & BENEFITS

- **Recessed devices.** Five (5) compartments for power, communications, and/or A/V devices, all recessed 4" (102mm) below the floor level, providing maximum protection and device longevity.
- **Die-cast aluminum cover assemblies.** The Evolution Series poke-thru design includes all metal die-cast aluminum cover assemblies, available in powder coated finishes of black, brass, gray, nickel, bronze, and aluminum.
- **A/V compatible design.** The 8AT Series devices are designed to work with with Legrand's AVIP devices. Also compatible with most A/V manufacturers devices including their 1-gang, 2-gang, and 3-gang decorator style designs.
- **Flush tile version cover assemblies.** A flush style cover for tile applications allows the Evolution Series Poke-Thru Devices to be adjusted to the same level as the top surface of the floor covering. The tile cover is designed to be used in higher traffic applications, where a low profile is a must.
- **Auto-close egress doors.** Egress doors lock in position when slid open and automatically close around cables, reducing the egress opening to the smallest size possible.
- **Improved hinge design.** Provides greater durability while creating a more fluid, intuitive, opening and closing motion.
- **"Step-on-it" installation.** Quick and easy installation without the need for additional fasteners or a second installer.
- **Pre-pour sleeve.** Creates a removable cast-in-place core hole that allows the contractor to position poke-thru units before concrete is poured. Eliminates the cost and labor of coring the opening.
- **TopGuard™ Protection.** All Evolution Series Poke-Thru Devices, like every Wiremold Poke-Thru Device, meet and exceed UL scrub water exclusion requirements for tile, carpet, and wood covered floors.
- **Meets ADA Accessibility Guidelines.** Wide trim flange is designed to meet the ADA Accessibility Guidelines as it pertains to ADA Standard 4.5 which addresses changes in floor and ground surface levels. The poke-thru trim flanges are beveled so the slope is no greater than 1:2 ratio.
- **Suitable for use in air handling spaces.** In accordance with Sec 300-22(C) of the National Electrical Code.
- **UL Listed and UL Fire Classified to U.S. and Canadian safety standards.** UL Fire rated for up to 2-hour rated floors maintains the fire classification of the floor.

For more information or to configure your own Evolution™ Series Poke-Thru Device, visit our online configurator at:  
[www.legrand.us/wiremold/evolution](http://www.legrand.us/wiremold/evolution).

## Evolution Series 8" Poke-Thru Device Specifications

### Copper Cross Section:

The copper cross-sectional area determines the amount of wire fill capacity in a poke-thru device. Unlike other wire and cable management systems that utilize wire fill capacity, a poke-thru device is UL tested under fire conditions to determine the maximum amount of copper conductors that will pass through a poke-thru device, while maintaining the fire-rating of the floor assembly. All Legrand Poke-Thru Devices are UL Classified to U.S. and Canadian safety standards.



Copper Cross Sectional Area of Commonly Used Conductors		
Size	Solid	
#24	.00032 sq. in.	(.206mm <sup>2</sup> )
#23	.00040 sq. in.	(.258mm <sup>2</sup> )
#22	.00050 sq. in.	(.322mm <sup>2</sup> )
#14	.00323 sq. in.	(2.083mm <sup>2</sup> )
#12	.00512 sq. in.	(3.303mm <sup>2</sup> )
#10	.00815 sq. in.	(5.258mm <sup>2</sup> )
# 8	.01296 sq. in.	(8.361mm <sup>2</sup> )

**NOTE:** Use above values for solid or stranded conductors.

### Concrete Thickness Min/Max:

**1-HOUR RATED FLOOR – 2 1/4" (57mm) min over top of deck (or 3" (76mm) thick reinforced concrete slab).**

**2-HOUR RATED FLOOR – 3 1/4" (83mm) min over top of deck (or 4" (102mm) thick reinforced concrete slab).**

### Floor Coverings:

The poke-thru device is fire rated for concrete floor coverings. For floor coverings greater than 1" (25mm), consult factory.

**CAUTION:** These devices are suitable for 1-, 1 1/2-, and 2-hour rated floor assemblies as described in the UL Fire Resistance directory for each service. These devices meet all UL scrub water requirements, but are not suitable for wet or damp locations, or other areas subject to saturation with water or other liquids, such as commercial kitchens.

### 8AT COPPER CROSS-SECTION

	OUTER CHANNELS	CENTER CHANNEL
Max Copper X-Section	0.0154 sq. in. (9.9mm <sup>2</sup> )	0.0775 sq. in. (16.60mm <sup>2</sup> )
Max # Conductors	(3) 12 AWG	(24) 14 AWG

**NOTE:** When using conductor sizes other than listed above, the aggregate cross-sectional area of the copper conductors shall not exceed the cross-sectional areas listed.

### 8AT CORE HOLE SIZES

FLOOR TYPE	CORE SIZE (Min.)	CORE SIZE (Max.)
Covered Floors (Carpet, Tile or Wood)	8" (203mm)	8 1/8" (206mm)
Bare Concrete or Terrazzo	8" (203mm)	8 1/8" (206mm)

Poke-thru devices and abandonment fittings are for use with 1-, 1 1/2-, or 2-hour rated unprotected reinforced concrete floor and 1-, 1 1/2- or 2-hour rated floors employing unprotected steel floor units and concrete topping (D900-Series Designs), or concrete floors with suspended ceilings. (Fire resistive designs with suspended ceilings should have provisions for accessibility in the ceiling area below the poke-thru fitting).

The assembled poke-thru stem and service fitting or the abandonment fittings will not reduce the ratings of the floor assembly when the thickness and type of concrete (required for the specific rating) are within the specified limits and the fittings are installed as specified:

- 1. Spacing** – Minimum of 2' (610mm) OC and not more than one unit per 65 square feet (6 square meters) of floor area in each span.
- 2. Concrete** – Minimum thickness of structural concrete topping of 2 1/4" (57mm) over metal deck or a minimum 3" thick reinforced concrete slab. Unit weight of concrete to be 110 to 155 pcf.
- 3. Installation** – Mounted in a 8" (203mm) diameter core drilled hole in concrete per installation instructions accompanying the fittings or abandonment fittings. For use with power circuits, data and/or telephone cables as tabulated below.

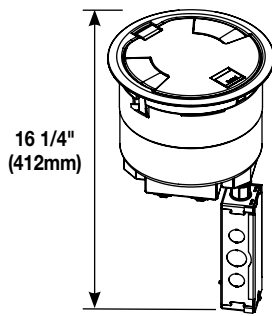
**NOTE:** The material that is used in Wiremold® poke-thru devices is not listed under the directory for Fire Stopping Material because the poke-thru device is UL Classified as "Outlet Boxes and Fittings Classified For Fire Resistance (CEYY)". The pass/fail criteria comes from UL263. The pass criteria is that the poke-thru unit cannot exceed 325° F above ambient before the concrete slab (or deck) reaches this same temperature. Some poke-thru devices are tested for 2 hours while others are tested for 4 hours. The intumescent material has never been tested as a fire-stopping material as a stand-alone device. This material is designed to work as a unit with the entire poke-thru device.

## Evolution Series 8" Poke-Thru Devices Ordering Information

**Catalog No./Item**

**Description/Specifications**

8ATC2PBK  
8ATC2PBS  
8ATC2PGY  
8ATC2PNK  
8ATC2PBZ  
8ATC2PAL



**Recessed Prewired Surface Style Poke-Thru Assembly** – Designed to be installed in a concrete floor which has access in the ceiling of the floor below for running power, data and A/V services. The poke-thru device installs into an 8" (203mm) to an 8 1/8" (206mm) diameter hole. The unit comes complete with a surface style cover, two (2) pre-wired, pre installed duplex receptacles, and three (3) open compartments for additional power, data or AV devices. All 5 compartments are recessed 4" (102mm) below the floor surface level. The surface style cover is an aluminum cover that is designed to sit on top of the finished floor surface, such as: carpet, tile, wood, polished concrete or terrazzo floors and is available in six (6) powder coated finishes: black (BK), gray (GY), brass (BS), nickel (NK), bronze (BZ) and aluminum (AL).

**Country of Origin: USA**

**NOTE: UL Fire Classified for up to 2-hour rated floors.**

**NOTE: Receptacles can be wired as a standard or isolated ground device.**

**INCLUDED**

**For Side Compartments:**

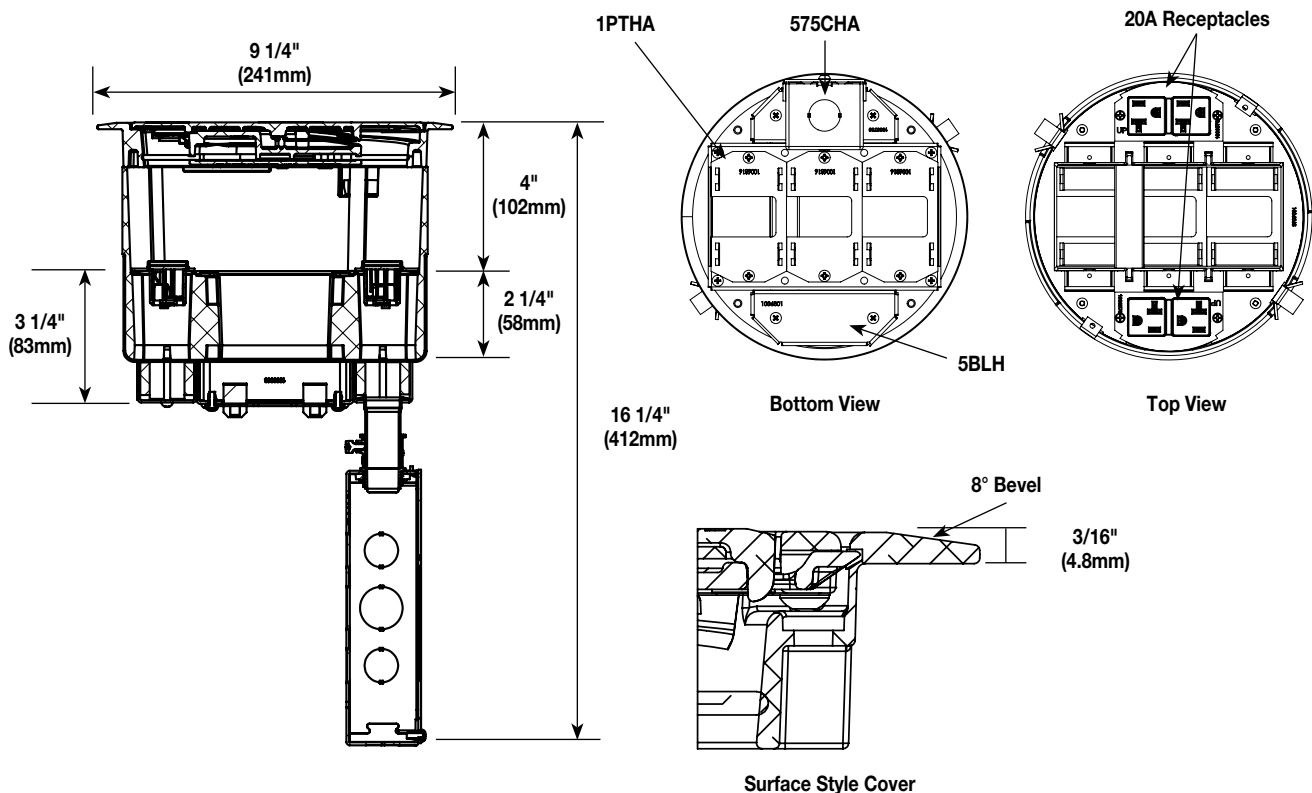
- Two (2) proprietary 20A Duplex Receptacles installed

**For Center Compartment:**

- No Device Plates are included

**For Bottom Feed Compartment:**

- One (1) 5BLH 1/2-Gang Blank Housing\*
- Three (3) 1PTHA 1-Gang Pass-Through Housing Assembly
- One (1) 575CHA 1/2-Gang 3/4" Conduit Housing Assembly\*\*
- One (1) 8DIV 8" Divider



**NOTE: For more information on Device Plates and Bottom Feed Plates and on the additional options available, see the Device Plates and Bottom Feed Plates sections found later in this document.**

\* Tunneling extends from the 5BLH to 575CHA so that power cables from the 20A duplex receptacle mounted on the left side of the poke-thru device are run into the junction box attached to the 575CHA.

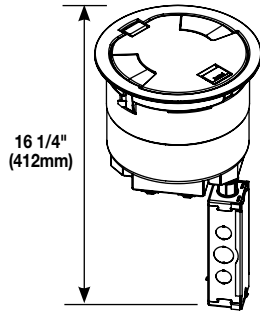
\*\* Also includes junction box attached to the 3/4" conduit.

## Evolution Series 8" Poke-Thru Devices Ordering Information

**Catalog No./Item**

**Description/Specifications**

8AT2PBK  
8AT2PBS  
8AT2PGY  
8AT2PNK  
8AT2PBZ  
8AT2PAL



**Recessed Prewired Flush Style Poke-Thru Assembly** – Designed to be installed in a concrete floor which has access in the ceiling of the floor below for running power, data and A/V services. The poke-thru device installs into an 8" (203mm) to an 8 1/8" (206mm) diameter hole. The unit comes complete with a flush style cover, two (2) pre-wired, pre installed duplex receptacles, and three (3) open compartments for additional power, data or AV devices. All 5 compartments are recessed 4" (102mm) below the floor surface level. The flush style cover is an aluminum cover that is designed to sit flush with finished floor covering such as: carpet, tile, or wood and is available in six (6) powder coated finishes: black (BK), gray (GY), brass (BS), nickel (NK), bronze (BZ) and aluminum (AL).

**Country of Origin: USA**

**NOTE: UL Fire Classified for up to 2-hour rated floors.**

**NOTE: Receptacles can be wired as a standard or isolated ground device.**

**NOTE: Includes one (1) 8TS Tile Shim.**

**INCLUDED**

**For Side Compartments:**

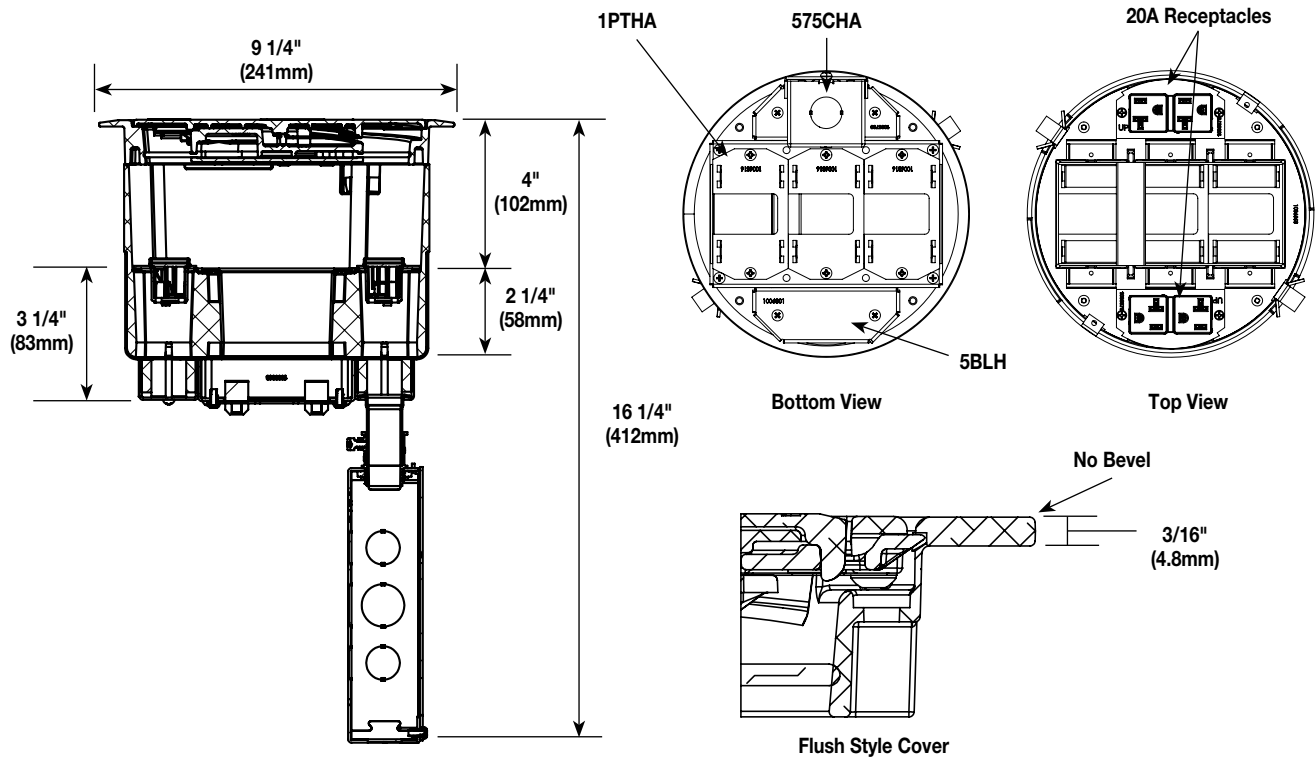
- Two (2) proprietary 20A Duplex Receptacles installed

**For Center Compartment:**

- No Device Plates are included

**For Bottom Feed Compartment:**

- One (1) 5BLH 1/2-Gang Blank Housing\*
- Three (3) 1PTHA 1-Gang Pass-Through Housing Assembly
- One (1) 575CHA 1/2-Gang 3/4" Conduit Housing Assembly\*\*
- One (1) 8DIV 8" Divider



**NOTE: For more information on Device Plates and Bottom Feed Plates and on the additional options available, see the Device Plates and Bottom Feed Plates sections found later in this document.**

\* Tunneling extends from the 5BLH to 575CHA so that power cables from the 20A duplex receptacle mounted on the left side of the poke-thru device are run into the junction box attached to the 575CHA.

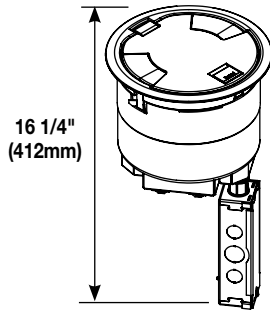
\*\* Also includes junction box attached to the 3/4" conduit.

## Evolution Series 8" Poke-Thru Devices Ordering Information

**Catalog No./Item**

**Description/Specifications**

8ATC2BK  
8ATC2BS  
8ATC2GY  
8ATC2NK  
8ATC2BZ  
8ATC2AL



**Recessed Unwired Surface Style Poke-Thru Assembly** – Designed to be installed in a concrete floor which has access in the ceiling of the floor below for running power, data and A/V services. The poke-thru device installs into an 8" (203mm) to an 8 1/8" (206mm) diameter hole. The unit comes complete with a surface style cover, and five (5) open compartments for additional power, data or AV devices. All 5 compartments are recessed 4" (102mm) below the floor surface level. The surface style cover is an aluminum cover that is designed to sit on top of the finished floor surfaces such as: carpet, tile, wood, polished concrete or terrazzo floors, and is available in six (6) powder coated finishes: black (BK), gray (GY), brass (BS), nickel (NK), bronze (BZ) and aluminum (AL).

**Country of Origin: USA**

**NOTE: UL Fire Classified for up to 2-hour rated floors.**

**INCLUDED**

**For Side Compartments:**

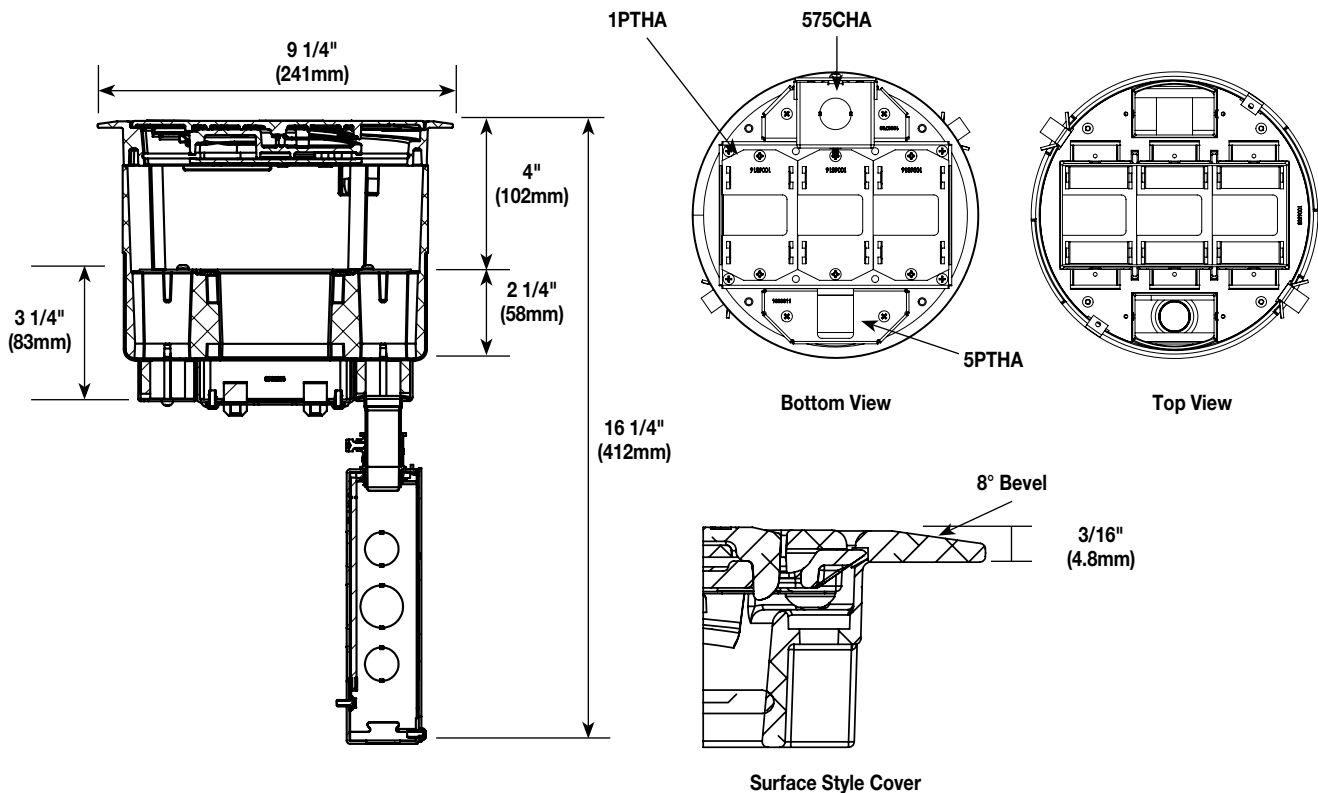
- No Device Plates are included

**For Center Compartment:**

- No Device Plates are included

**For Bottom Feed Compartment:**

- One (1) 5PTHA 1/2-Gang Pass-Through Housing
- Three (3) 1PTHA 1-Gang Pass-Through Housing Assembly
- One (1) 575CHA 1/2-Gang 3/4" Conduit Housing Assembly\*\*
- One (1) 8DIV 8" Divider



**NOTE: For more information on Device Plates and Bottom Feed Plates and on the additional options available, see the Device Plates and Bottom Feed Plates sections found later in this document.**

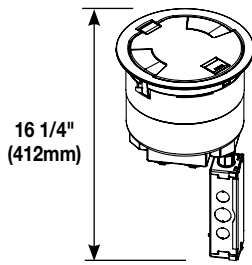
**\*\* Also includes junction box attached to the 3/4" conduit.**

## Evolution Series 8" Poke-Thru Devices Ordering Information

**Catalog No./Item**

**Description/Specifications**

8AT2BK  
8AT2BS  
8AT2GY  
8AT2NK  
8AT2BZ  
8AT2AL



**Recessed Unwired Flush Style Poke-Thru Assembly** – Designed to be installed in a concrete floor which has access in the ceiling of the floor below for running power, data and A/V services. The poke-thru device installs into an 8" (203mm) to an 8 1/8" (206mm) diameter hole. The unit comes complete with a flush style cover, and five (5) open compartments for additional power, data or AV devices. All 5 compartments are recessed 4" (102mm) below the floor surface level. The flush style cover is an aluminum cover that is designed to sit flush with finished floor covering such as: carpet, tile, or wood and is available, in six (6) powder coated finishes: black (BK), gray (GY), brass (BS), nickel (NK), bronze (BZ) and aluminum (AL).

**Country of Origin: USA**

**NOTE: UL Fire Classified for up to 2-hour rated floors.**

**NOTE: Includes one (1) 8TS Tile Shim.**

**INCLUDED**

**For Side Compartments:**

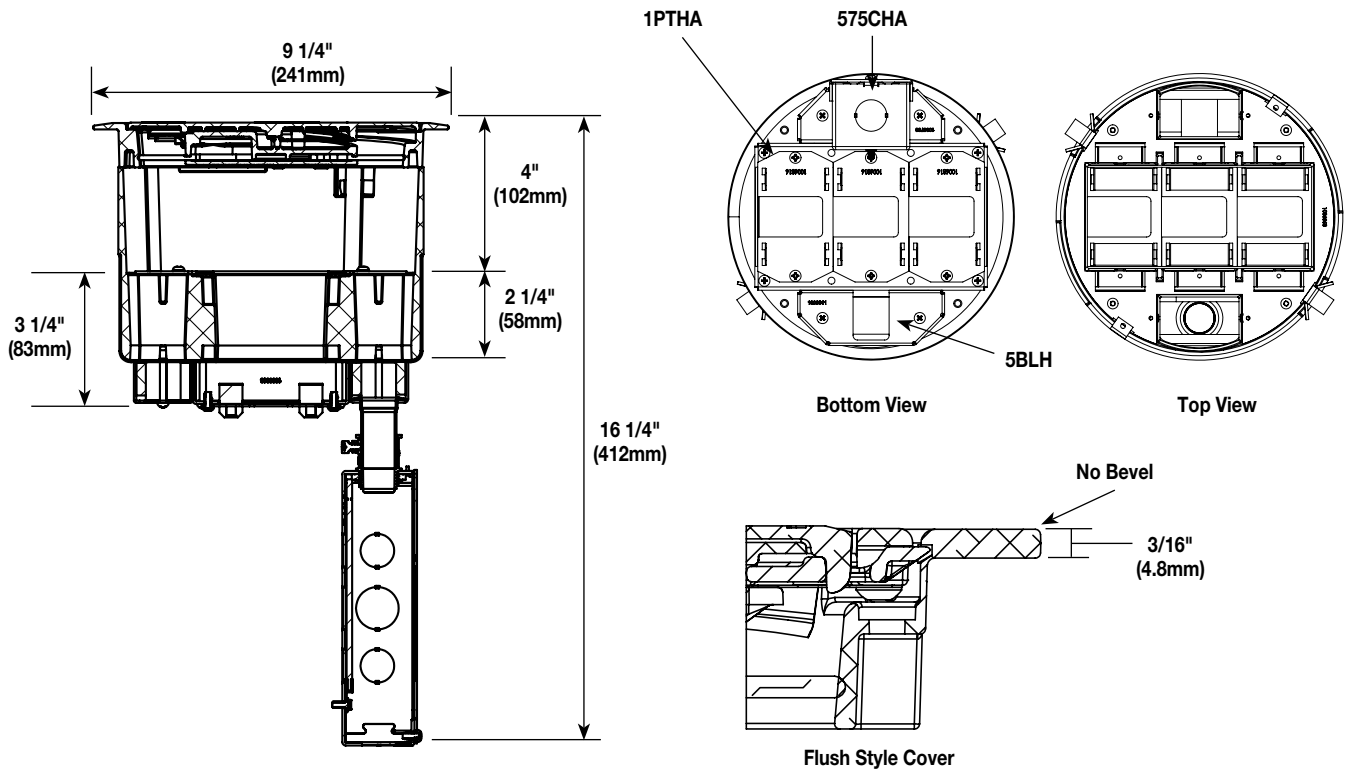
- No Device Plates are included

**For Center Compartment:**

- No Device Plates are included

**For Bottom Feed Compartment:**

- One (1) 5PTHA 1/2-Gang Pass-Through Housing Housing
- Three (3) 1PTHA 1-Gang Pass-Through Housing Assembly
- One (1) 575CHA 1/2-Gang 3/4" Conduit Housing Assembly\*\*
- One (1) 8DIV 8" Divider



**NOTE: For more information on Device Plates and Bottom Feed Plates and on the additional options available, see the Device Plates and Bottom Feed Plates sections found later in this document.**

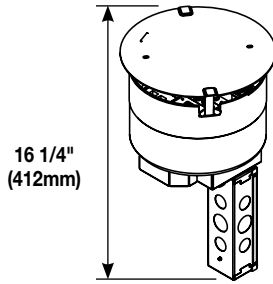
\*\* Also includes junction box attached to the 3/4" conduit.

## Evolution Series 8" Poke-Thru Devices Ordering Information

**Catalog No./Item**

**Description/Specifications**

**8STC**



**Recessed Unwired Poke-Thru Stem Assembly** – Designed to be installed in a concrete floor which has access in the ceiling of the floor below for running power, data and A/V services. The poke-thru device installs into an 8" (203mm) to an 8 1/8" (206mm) diameter hole. The unit comes complete with a disposable sheet metal cover, five (5) open compartments for additional power, data or AV devices. All 5 compartments are recessed 4" (102mm) below the floor surface level. Designed to work with the 8CTC2 and 8CT2 style covers (sold separately).

**Country of Origin: USA**

**INCLUDED**

**For Side Compartments:**

- No Device Plates are included

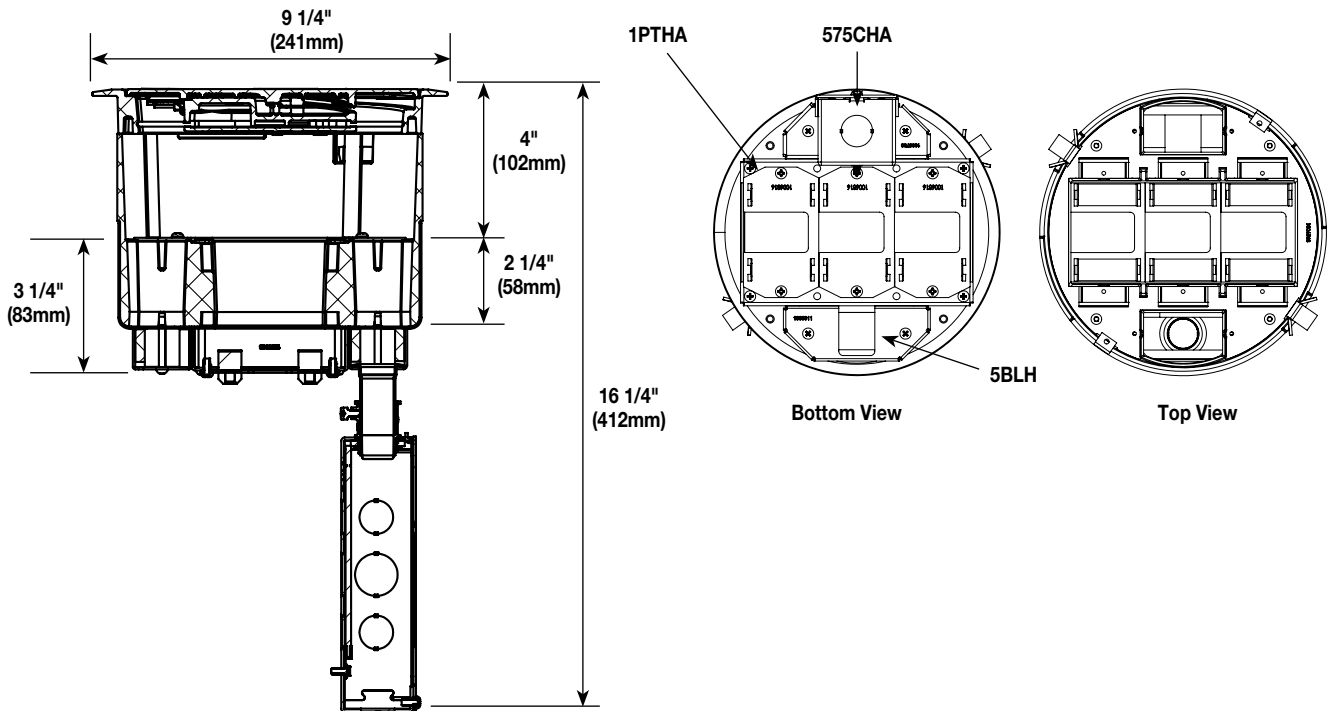
**For Center Compartment:**

- No Device Plates are included

**For Bottom Feed Compartment:**

- One (1) 5PTHA 1/2-Gang Pass-Through Housing Housing
- Three (3) 1PTHA 1-Gang Pass-Through Housing Assembly
- One (1) 575CHA 1/2-Gang 3/4" Conduit Housing Assembly\*\*
- One (1) 8DIV 8" Divider

**NOTE: UL Fire Classified for up to 2-hour rated floors.**



**NOTE: For more information on Device Plates and Bottom Feed Plates and on the additional options available, see the Device Plates and Bottom Feed Plates sections found later in this document.**

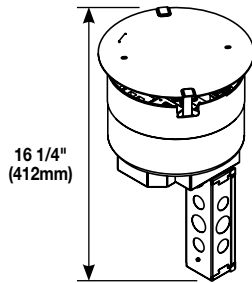
**\*\* Also includes junction box attached to the 3/4" conduit.**

## Evolution Series 8" Poke-Thru Devices Ordering Information

**Catalog No./Item**

**Description/Specifications**

**8STCP**



**Recessed Prewired Poke-Thru Stem Assembly** – designed to be installed in a concrete floor which has access in the ceiling of the floor below for running power, data and A/V services. The poke-thru device installs into an 8" (203mm) to an 8 1/8" (206mm) diameter hole. The unit comes complete with a disposable sheet metal cover, two (2) pre-wired, pre installed duplex receptacles and three (3) open compartments for additional power, data or AV devices. All 5 compartments are recessed 4" (102mm) below the floor surface level. Designed to work with the 8CTC2 and 8CT2 style covers (sold separately).

**Country of Origin: USA**

**INCLUDED**

**For Side Compartments:**

- Two (2) proprietary 20AMP Duplex Receptacles installed

**For Center Compartment:**

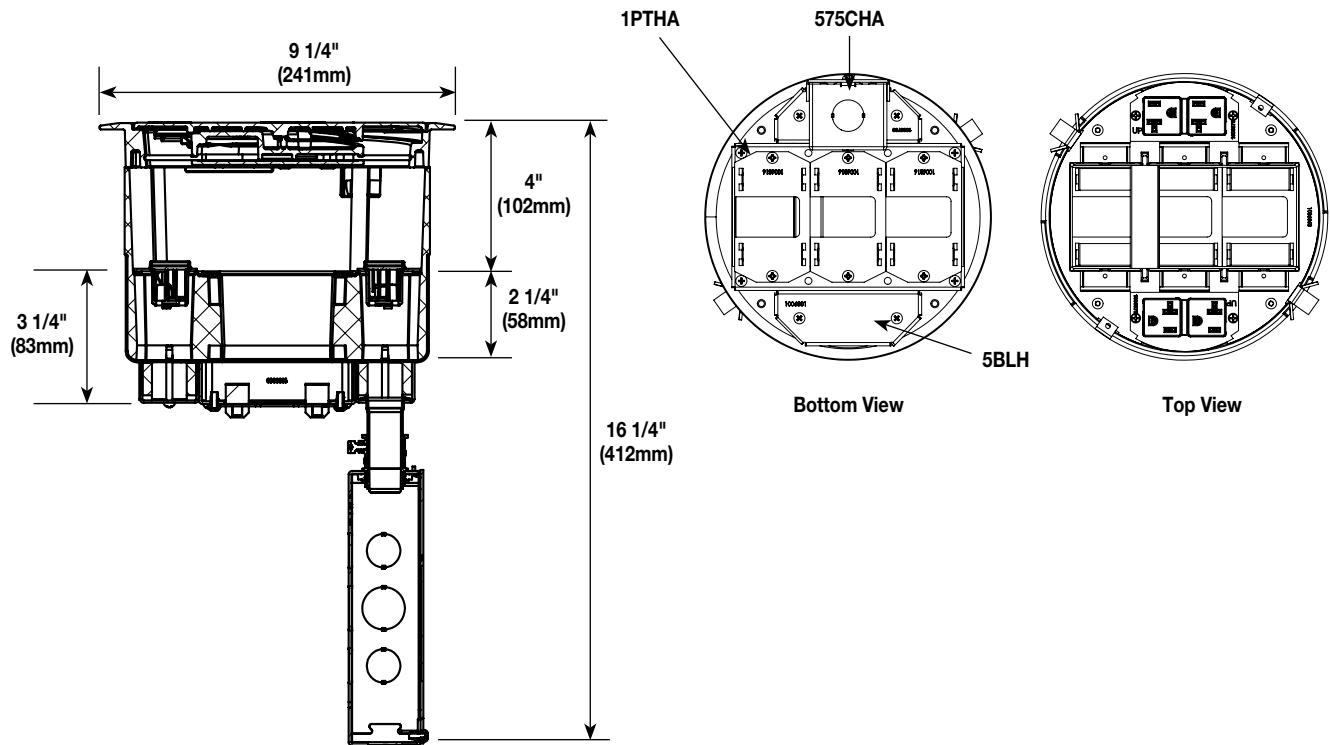
- No Device Plates are included

**For Bottom Feed Compartment:**

- One (1) 5PTHA 1/2-Gang Pass-Through Housing
- Three (3) 1PTHA 1-Gang Pass-Through Housing Assembly
- One (1) 575CHA 1/2-Gang 3/4" Conduit Housing Assembly\*\*
- One (1) 8DIV 8" Divider

**NOTE: UL Fire Classified for up to 2-hour rated floors.**

**NOTE: Receptacles can be wired as a standard or isolated ground device.**



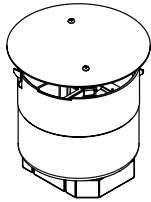
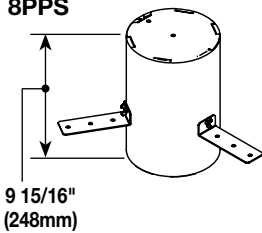
**NOTE: For more information on Device Plates and Bottom Feed Plates and on the additional options available, see the Device Plates and Bottom Feed Plates sections found later in this document.**

\* Tunneling extends from the 5BLH to 575CHA so that power cables from the 20A duplex receptacle mounted on the left side of the poke-thru device are run into the junction box attached to the 575CHA.

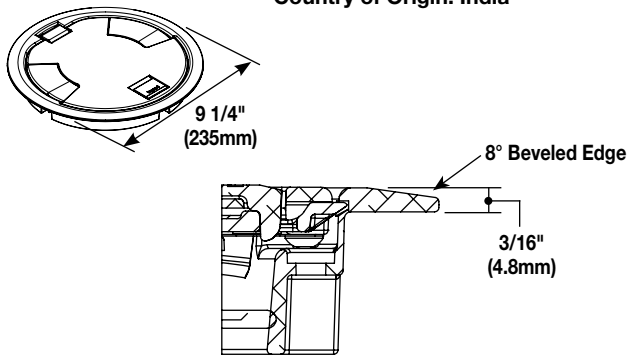
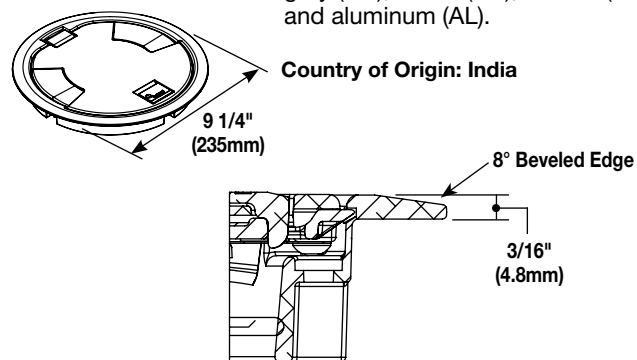
\*\* Also includes junction box attached to the 3/4" conduit.



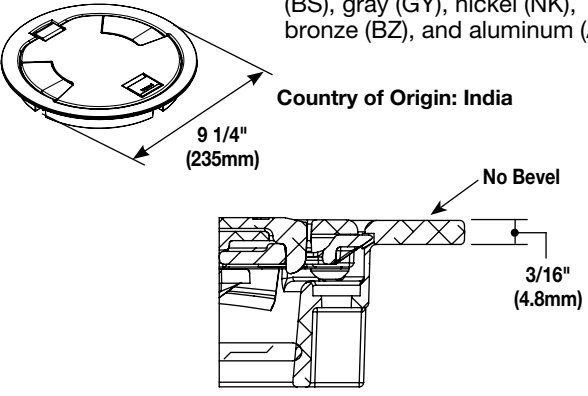
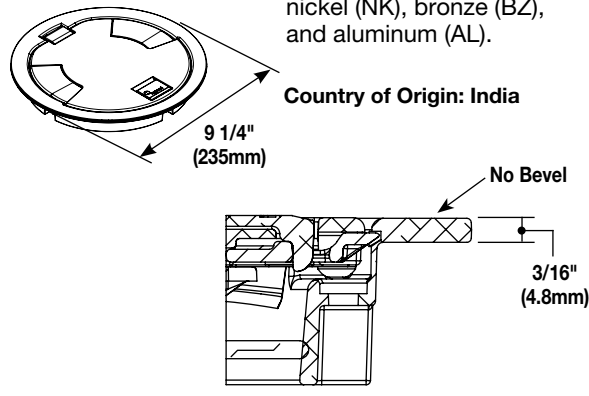
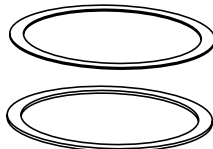
## Evolution Series 8" Poke-Thru Devices Ordering Information (continued)

Catalog No./Item	Description/Specifications
<p><b>ABPLUG8</b></p> 	<p><b>Abandonment Plug Assembly –</b> Complete abandonment plug assembly for 8" opening. Assembly includes intumescent fire stop material to maintain a 2-hour fire rating of the floor</p> <p><b>Country of Origin: USA</b></p>
<p><b>8PPS</b></p> 	<p><b>8" Pre-Pour Poke-Thru Sleeve –</b> Nonmetallic sleeve attaches to structural decking and maintains 8"- 8 1/8" diameter cast in core hole. Unit includes three (3) attachment legs, two (2) end caps and three (3) thumb screws.</p> <p><b>Country of Origin: USA</b></p>

## Evolution Series 8" Poke-Thru Devices Cover Assemblies Ordering Information

Catalog No./Item	Description/Specifications
<p><b>8CTC2BK</b> <b>8CTC2BS</b> <b>8CTC2GY</b> <b>8CTC2NK</b> <b>8CTC2BZ</b> <b>8CTC2AL</b></p>	<p><b>Surface Style Cover Assembly –</b> Low profile cover designed to attach to the 8STC and 8STCP Poke-Thru Stem Assemblies. Each cover is made from die-cast aluminum materials and equipped with a durable hinge which allows the cover to rotate open 180°, two (2) slide egress doors that lock in the open position and auto close around the cables when the covers are closed, an 8° beveled edge that meet ADA guidelines and reduces tripping hazards. These covers are designed to sit on top of the finished floor surfaces such as: carpet, tile, wood, polished concrete and terrazzo. Available in six (6) aesthetic powder coated finishes: black (BK), brass (BS), gray (GY), nickel (NK), bronze (BZ), and aluminum (AL).</p> <p><b>Country of Origin: India</b></p>
	<p><b>8CTC2BKTR</b> <b>8CTC2BSTR</b> <b>8CTC2GYTR</b> <b>8CTC2NKTR</b> <b>8CTC2BZTR</b> <b>8CTC2ALTR</b></p> <p><b>Tamper-Resistant Surface Style Cover Assembly –</b> Low profile cover designed to attach to the 8STC and 8STCP Poke-Thru Stem Assemblies. Each cover is made from die-cast aluminum materials and equipped with a tamper-resistant screw to keep out unauthorized personnel, a durable hinge which allows the cover to rotate open 180°, two (2) slide egress doors that lock in the open position and auto close around the cables when the covers are closed, an 8° beveled edge that meet ADA guidelines and reduces tripping hazards. These covers are designed to sit on top of the finished floor surfaces such as: carpet, tile, wood, polished concrete and terrazzo. Available in six (6) aesthetic powder coated finishes: black (BK), brass (BS), gray (GY), nickel (NK), bronze (BZ), and aluminum (AL).</p> <p><b>Country of Origin: India</b></p>
	<p><b>NOTE: All surface style poke-thru devices come with a transition angle to aid in the change in floor elevation.</b></p>
<p><b>NOTE: All surface style poke-thru devices come with a transition angle to aid in the change in floor elevation.</b></p>	<p><b>NOTE: All surface style poke-thru devices come with a transition angle to aid in the change in floor elevation.</b></p>


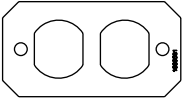
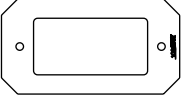
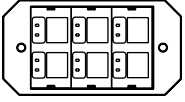
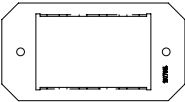
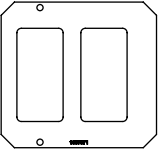
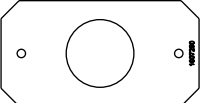
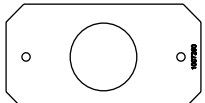
## Evolution Series 8" Poke-Thru Devices Cover Assemblies Ordering Information

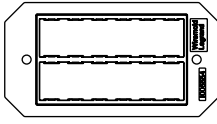

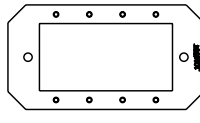
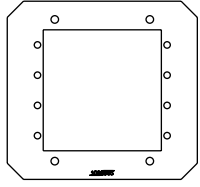
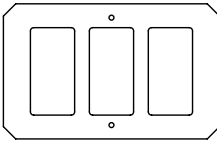
Catalog No./Item	Description/Specifications
<p><b>8CT2BK</b>  <b>8CT2BS</b>  <b>8CT2GY</b>  <b>8CT2NK</b>  <b>8CT2BZ</b>  <b>8CT2AL</b></p>	<p><b>Flush Style Cover Assembly –</b>                      Low profile covers that are designed to attach to the 8STC and 8STCP Poke-Thru Stem Assemblies. Each cover is made from die-cast aluminum materials and equipped with a durable hinge which allows the cover to rotate open 180°, two (2) slide egress doors that lock in the open position and auto close around the cables when the covers are closed. These covers are designed to sit flush with the finished floor surfaces such as: carpet, tile, and wood. Available in six (6) powder coated finishes: black (BK), brass (BS), gray (GY), nickel (NK), bronze (BZ), and aluminum (AL).</p> <p style="text-align: right;"><b>Country of Origin: India</b></p>  <p style="text-align: center;"><b>NOTE: Includes 8TS Tile Shim.</b></p>
<p><b>8CT2BKTR</b>  <b>8CT2BSTR</b>  <b>8CT2GYTR</b>  <b>8CT2NKTR</b>  <b>8CT2BZTR</b>  <b>8CT2ALTR</b></p>	<p><b>Tamper-Resistant Flush Style Cover Assembly –</b>                      Low profile covers that are designed to attach to the 8STC and 8STCP Poke-Thru Stem Assemblies. Each cover is made from die-cast aluminum materials and equipped with a tamper-resistant screw to keep out unauthorized personnel, a durable hinge which allows the cover to rotate open 180°, two (2) slide egress doors that lock in the open position and auto close around the cables when the covers are closed. These covers are designed to sit flush with the finished floor surfaces such as: carpet, tile, and wood. Available in six (6) powder coated finishes: black (BK), brass (BS), gray (GY), nickel (NK), bronze (BZ), and aluminum (AL).</p> <p style="text-align: right;"><b>Country of Origin: India</b></p>  <p style="text-align: center;"><b>NOTE: Includes 8TS Tile Shim.</b></p>
<p><b>8TS</b></p> 	<p><b>Tile Shim –</b> Used for floor coverings greater than 3/16" (4.8mm). The 8TS will allow the top surface of the cover to be flush with the finished floor. Includes: six (6) 1/16" (1.6mm) thick shims. Up to a total of 3/8" (9.5mm) of adjustment.</p> <p style="text-align: right;"><b>Country of Origin: USA</b></p>



Evolution Series 8" Poke-Thru Covers are available in six durable powder-coat finishes of Black, Brass, Gray, Nickel, Bronze and Aluminum.

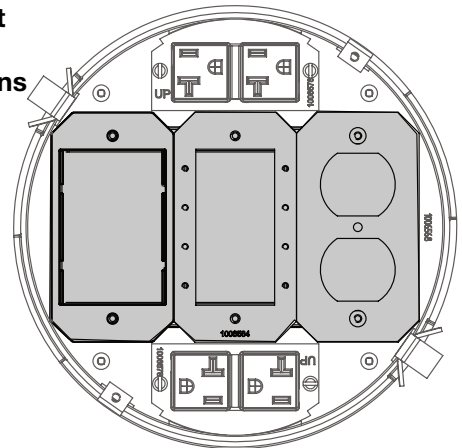
## Evolution Series 8" Center Mount Device Plates Ordering Information

Catalog No./Item	Description/Specifications
8B	 <p><b>Device Mounting Plate</b> – Single-gang device plate used to blank off any one (1) of the center compartments, when no devices are used.</p>
8DP	 <p><b>Device Mounting Plate</b> – Single-gang device plate that accepts standard 20A duplex receptacle, a duplex Turnlok receptacle, fits in any one (1) of the center compartments. Devices supplied by others.</p>
8DEC	 <p><b>Device Mounting Plate</b> – Single-gang device plate that will accept Decorator style devices such as 20A receptacles, GFCIs, 106 adapters or A/V devices. Fits in any one (1) of the center compartments. Devices supplied by others.</p>
8ACT6A	 <p><b>Device Mounting Plate</b> – Single-gang device plate that will accept up to six (6) ports of communication devices. Fits in any one (1) of the center compartments. Devices supplied by others.</p>
8MOS	 <p><b>Mosaic Device Plate</b> – Device plate accepts three (3) standard Mosaic devices (45mm x 22.5mm). Devices supplied by others.</p> <p><b>NOTE:</b> Not designed to accept Adorne style devices.</p>
8CREST	 <p><b>Two-Gang Plate</b> – Device plate accepts most A/V manufacturer's double-gang decorator style devices. Takes up two of the center locations</p>
8S1	 <p><b>Device Plate</b> – Receptacle opening 1 3/8" (35mm). For 8" poke-thru units only.</p>
8S2	 <p><b>Device Plate</b> – Receptacle opening 1 9/16" (40mm). For 8" poke-thru units only.</p>

Catalog No./Item	Description/Specifications
8TRAC	 <p><b>Device Mounting Plate</b> – Single-gang device plate that will accept up to six (6) Ortronics TracJack devices. Fits in any one (1) of the center compartments. Devices supplied by others.</p>
8SER	 <p><b>Device Mounting Plate</b> – Single-gang device plate that will accept up to three (3) Ortronics Series II dual modular inserts. Fits in any one (1) of the center compartments. Devices supplied by others.</p>
8MAAP	 <p><b>Device Mounting Plate</b> – Single-gang device plate that will accept up to four (4) Legrand AVIP or Extron Electronics MAAP style plates. Fits in any one (1) of the center compartments. Devices supplied by others.</p>
8AAP	 <p><b>Device Mounting Plate</b> – Two-gang device plate that will accept up to four (4) Extron Electronics AAP style plates. 8AAP takes up 2 of the 3 gangs in the center compartment. Devices supplied by others.</p>
8CREST3G	 <p><b>Three-Gang Device Plate</b> – Accepts a three-gang device including Crestron Digital Media™ devices.</p>

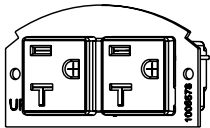
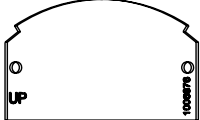
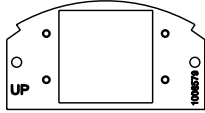
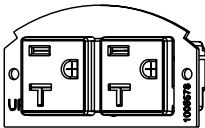
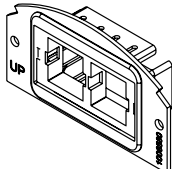
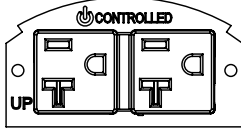
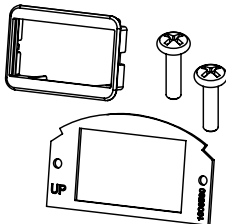
### 8AT Center Mount Device Plate Mounting Locations

Mounting plates on this page can be installed in the shaded location indicated in this illustration.



**NOTE:** Country of Origin for all device plates shown on this page is USA.

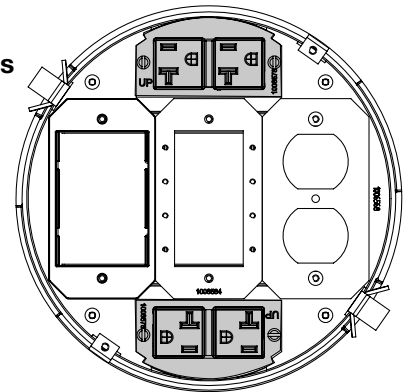
## Evolution Series 8" Side Mount Device Plates Ordering Information

Catalog No./Item	Description/Specifications
<p><b>68REC</b></p> 	<p><b>20A Duplex Receptacles –</b> Two (2) proprietary 20A duplex power receptacles with mounting plates. Receptacle can be wired as a standard or as isolated ground device. Designed to fit into 6", 8" and 10" poke-thru devices.</p>
<p><b>68B</b></p> 	<p><b>Device Mounting Plate – Blank</b> plate. Used to blank off either of the side compartments when no devices or cabling are to be used. Designed to fit into 6", 8" and 10" poke-thru devices.</p>
<p><b>68MAAP</b></p> 	<p><b>Device Mounting Plate – Device</b> plate that will accept up to two (2) Legrand AVIP or Extron® Electronics MAAP device plates. For use in either of the two side compartments only. Not for use in the center compartment. Extron Devices supplied by others. Designed to fit into 6", 8" and 10" poke-thru devices.</p>
<p><b>68REC-25</b></p> 	<p><b>20A Duplex Receptacles –</b> Two (2) proprietary 20A duplex power receptacles with mounting plates and 25' leads. Receptacle can be wired as a standard or as isolated ground device. Designed to fit into 6", 8" and 10" poke-thru devices.</p>
<p><b>682A</b></p> 	<p><b>Device Mounting Plate – Device</b> plate that will accept up to two (2) ports of communication devices. For use in either of the two side compartments only. Not for use in the center compartment. Designed to fit into 6", 8" and 10" poke-thru devices. Communication devices supplied by others.</p>
<p><b>68REC-CTRL</b></p> 	<p><b>Controlled Receptacle – One (1)</b> 20A proprietary duplex receptacle marked with permanent controlled receptacle marking. Designed to fit into 6", 8" and 10" poke-thru devices.</p>
<p><b>682A-PT</b></p> 	<p><b>Device Plate – Device plate that</b> allows for communication cabling to pass through. Includes one (1) rectangular adapter ring. Designed to fit into 6", 8" and 10" poke-thru devices.</p>

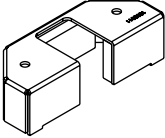
**NOTE:** Country of Origin for all device plates shown on this page is USA.

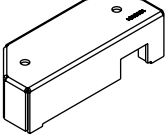
### 8AT Side Mount Device Plates Mounting Locations

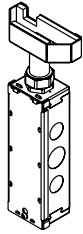
Device Plates in this section can be installed in the shaded locations indicated in this illustration.



## Evolution Series 8" Bottom Feed Side Mount Device Plates Ordering Information

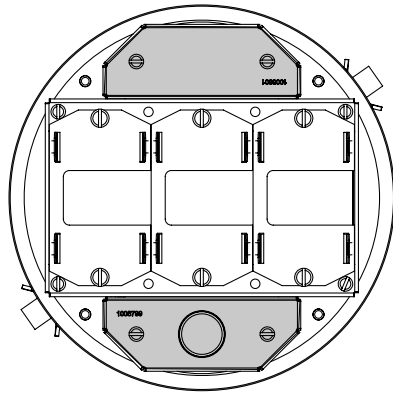
Catalog No./Item	Description/Specifications
<b>5PTHA</b> 	<b>Bottom Housing Assembly –</b> Half-gang pass through housing assembly. Designed to allow pass through of communication cables when no conduit is required. For use in 6" and 8" poke-thru devices.  <b>Country of Origin: USA</b>

<b>5BLH</b> 	<b>Bottom Housing Assembly –</b> Half-gang blank housing assembly. Designed to blank off compartment when no cable pass through is required. For use in 6" and 8" poke-thru devices. Includes tunnels for 6" (152mm) and 8" (203mm) poke-thru devices.  <b>Country of Origin: USA</b>
--	--

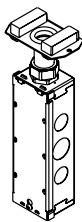
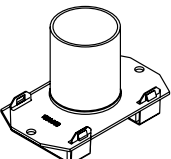
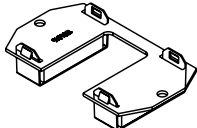
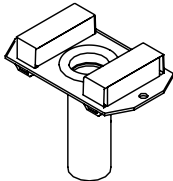
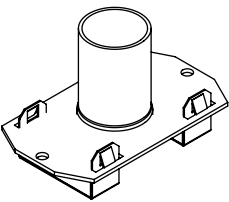
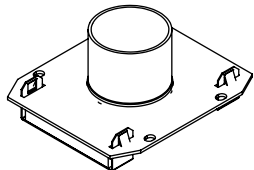
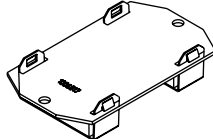
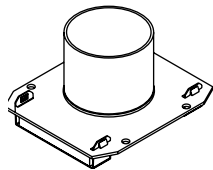
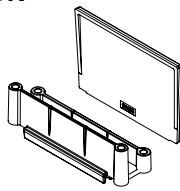
Catalog No./Item	Description/Specifications
<b>575CHA</b> 	<b>Bottom Housing Assembly –</b> Half-gang 3/4" trade size conduit housing assembly. Includes junction box attached to 3/4" trade size conduit for electrical power connections. For use in 6" and 8" poke-thru devices.  <b>Country of Origin: USA</b>

### 8AT Bottom Feed Side Mount Device Plate Mounting Locations

Device Plates in this section can be installed in the shaded locations indicated in this illustration.



## Evolution Series 8" Bottom Feed Center Mount Device Plates Ordering Information

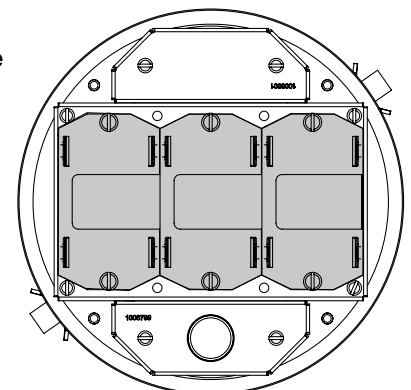
Catalog No./Item	Description/Specifications
<p><b>175CHA</b></p> 	<p><b>Bottom Housing Assembly –</b> One-gang 3/4" trade size conduit housing assembly. Includes junction box attached to 3/4" trade size conduit for electrical power connections. For use in the center compartments of 6", 8" and 10" poke-thru devices.</p> <p><b>NOTE:</b> When using on a 6ATCFF Furniture Feed unit, 1BHA (sold separately) is required.</p>
<p><b>1125CHA</b></p> 	<p><b>Bottom Housing Assembly –</b> One-gang 1 1/4" trade size conduit housing assembly. For use in the center compartments of 6", 8" and 10" poke-thru devices.</p> <p><b>NOTE:</b> When using on a 6ATCFF Furniture Feed unit, 1BHA (sold separately) is required.</p>
<p><b>1PTHA</b></p> 	<p><b>Bottom Housing Assembly –</b> One-gang pass through housing assembly. Designed to allow pass through of communication cables when no conduit is required. For use in the center compartments of 6", 8" and 10" poke-thru devices.</p> <p><b>NOTE:</b> When using on a 6ATCFF Furniture Feed unit, 1BHA (sold separately) is required.</p>
<p><b>175CHA-LJB</b></p> 	<p><b>Bottom Housing Assembly –</b> One-gang 3/4" trade size conduit housing assembly. For use in the center compartments of 6", 8" and 10" poke-thru devices.</p> <p><b>NOTE:</b> When using on a 6ATCFF Furniture Feed unit, 1BHA (sold separately) is required.</p>
<p><b>1100CHA</b></p> 	<p><b>Bottom Housing Assembly –</b> One-gang 1" trade size conduit housing assembly. For use in the center compartments of 6", 8" and 10" poke-thru devices.</p> <p><b>NOTE:</b> When using on a 6ATCFF Furniture Feed unit, 1BHA (sold separately) is required.</p>
<p><b>1150CHA</b></p> 	<p><b>Bottom Housing Assembly –</b> Two-gang 1 1/2" trade size conduit housing assembly. Use on 8STC Series Devices. Covers two available center compartments. Both compartments will be the same service. For use in the center compartments of 6", 8" and 10" poke-thru devices.</p> <p><b>NOTE:</b> Designed to work on 8AT and 8STC units only.</p>
<p><b>1BLH</b></p> 	<p><b>Bottom Housing Assembly –</b> One-gang blank housing assembly. Designed to blank off compartment when no cable pass through is required. For use in the center compartments of 6", 8" and 10" poke-thru devices.</p> <p><b>NOTE:</b> When using on a 6ATCFF Furniture Feed unit, 1BHA (sold separately) is required.</p>
<p><b>22CHA</b></p> 	<p><b>Bottom Housing Assembly –</b> Two-gang 2" trade size conduit housing assembly. Used on 8AT and 8STC Series devices. Covers two (2) of the center compartment. Both compartments will be the same service.</p> <p><b>NOTE:</b> Designed to work on 8AT and 8STC units only.</p>
<p><b>8DIV</b></p> 	<p><b>8" (203mm) Divider –</b> Center compartment divider. Separates services when required maintaining signal strength and product listing.</p>

**CAUTION:** Receptacle supplied with this Poke-Thru is not suitable for direct field wiring. Contact manufacturer for replacement. Field modifications will void UL Listing and Classification. Replacement receptacle is limited to this manufacturers' Catalog No 68REC.

**NOTE:** Country of Origin for all device plates shown on this page is USA.

### 8AT Bottom Feed Center Mount Device Plate Location

All bottom housing assemblies on this page can be installed in the shaded locations indicated in these illustrations.





# NOTES

**NOTE: All brand and product names referenced in this document are registered trademarks or trademarks of their respective holders.**



**NOTE:** The paper used to print this document is an environmentally responsible paper with 10% post consumer waste, with FSC and SFI Chain of Custody certifications, Lacey Act compliant. 100% of the electricity used to manufacture Flo sheets is generated with Green-e certified renewable energy.



#### Electrical Wiring Systems

60 Woodlawn Street  
West Hartford, CT 06110  
Phone: 1.877.BY.LEGRAND (295-3472)  
[www.legrand.us](http://www.legrand.us)

570 Applewood Crescent  
Vaughan, Ontario L4K 4B4  
Phone: 905.738.9195  
[www.legrand.ca](http://www.legrand.ca)

**ED1764R1 – Updated May 2016 – For latest specs visit [www.legrand.us/wiremold](http://www.legrand.us/wiremold)**

© Copyright 2016 Legrand All Rights Reserved

