

Product Environmental Profile

Wiremold® Steel Single or Dual-Channel Raceway Systems



LEGRAND'S ENVIRONMENTAL COMMITMENTS

• **Incorporate environmental management into our industrial sites**

Of all Legrand sites worldwide, over 80% are ISO 14001-certified (sites belonging to the Group for more than five years).

• **Involve the environment in product design**



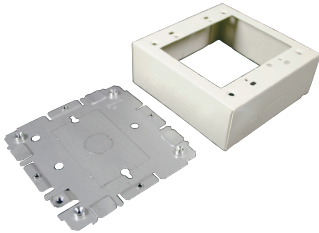
Provide our customers with all relevant information (composition, consumption, end of life, etc.).
Reduce the environmental impact of products over their whole life cycle.

• **Offer our customers environmentally friendly solutions**

Develop innovative solutions to help our customers design more energy efficient, better managed and more environmentally friendly installations.



REFERENCE PRODUCT

Function	House and protect the wiring along 1 meter for a working life duration of 20 years. The rigid raceway with cross-section of 630.3 mm ² includes the profile and accessories that are representative of standard use.		
Reference products			
	Cat. No. 2000BC	Cat. No. 2017TC, V2011, 2001-V2010A2	Cat. No. V2048-2, V2048
	Raceway	Fittings	Device Boxes
Single & Dual-Channel raceway system 3/4" X 1 9/32"			

The company reserves the right to change specifications and designs without notice. All illustrations, descriptions, dimensions and weights in the document are for guidance and cannot be held binding on the Company.



PRODUCTS CONCERNED

The Wiremold 2000®, 2400®, and 2400D® Series raceway systems as presented in the Wire & Cable management catalog.

Product Environmental Profile

Wiremold® Steel Single or Dual-Channel Raceway Systems



■ CONSTITUENT MATERIALS

This Reference Product contains no substances prohibited by the regulations applicable at the time of its introduction to the market.

At the date of publication of this document, this Reference Product contains no substances to which the RoHS directives apply (2002/95/EC and its revision 2011/65/EU)

Total weight of Reference Product	0.97 lb (with unit packaging)				
Plastics as % of weight	Metals as % of weight		Other as % of weight		
	Steel	96.50 %			
				Packaging as % of weight	
				13.472 g	3.10 %
				1.704 g	0.40 %
Total plastics	0.00 %	Total metals	96.50 %	Total other and packaging	3.50 %

Estimated recycled material content: 46% by weight.



■ MANUFACTURE

This Reference Product comes from sites that has received ISO14001 certification.



■ DISTRIBUTION

Products are distributed from logistics centres located with a view to optimize transport efficiency. The Reference Product is therefore transported over an average distance of 1425 miles by truck from our warehouse to the local point of distribution into the market in North America.



■ INSTALLATION

Installation components not delivered with the product are not taken into account.



■ USE

Servicing and maintenance:

Under normal conditions of use, this type of product requires no servicing or maintenance.

Consumable:

No consumables are necessary to use this type of product.



END OF LIFE

• **Non-hazardous waste contained in the product:** 0 oz

• **Theoretical recyclable potential**

The theoretical recyclable potential of a product is the percentage of material that can be recycled using existing techniques. It takes no account of the existence or lack of recycling services, which are highly dependent on the local situation.

This Reference Product contains 100% by weight of potentially recyclable material (excluding packaging):

- metal materials : 100%

• **Energy recovery potential**

Energy recovery consists in using the calories contained in waste by burning it and recovering the energy produced, for example, to heat buildings or to produce electricity. The process uses the converting energy contained in the waste. 0% of the product mass can be reclaimed with energy recovery.



ENVIRONMENTAL IMPACTS

The evaluation of environmental impacts examines the stages of the reference product life cycle: manufacturing, distribution, installation, use, and end of life of the product marketed and used in North America.

The following modelling elements were taken in account in accordance with the specific rules for cable management PSR-0003-ed1-FR-2012 02 02 :

Manufacture	Unit packaging taken in account. As required by the "PEP ecopassport" programme all transports for the manufacturing of the Reference Product, including materials and components, has been taken in account.
Distribution	Transport between the last distribution center and an average delivery to the sales area.
Installation	Installation components not delivered with the product are not taken into account.
Use	<ul style="list-style-type: none"> • Under normal conditions of use, this type of product requires no servicing or maintenance. • No consumables are necessary to use this type of product. • Product category: envelope. • Use scenario: non-continuous operation for 20 years at 30% of rated load of the time. This modelling duration does not constitute a minimum durability requirement • Energy model: North America, 2000
End of life	In view of the data available on the date of creation of the document, and in accordance with the requirements of the PCR of the "PEP ecopassport" programme, transport of the reference product by road only once, over a distance of 1000 km, to a processing site at end of life was counted.
Software used	EIME V5 and its database "Legrand-2012-10-31 version 3" made from database "CODDE-2012-07"

Product Environmental Profile

Wiremold® Steel Single or Dual-Channel Raceway Systems



ENVIRONMENTAL IMPACTS (continued)

		Total for Life cycle		Raw material and manufacture		Distribution		Installation		Use		End of life	
Mandatory indicators	Global warming	1.62E+00	kg~CO2 eq.	1.47E+00	91%	1.19E-01	7%	0.00E+00	0%	0.00E+00	0%	3.34E-02	2%
	Ozone depletion	2.11E-07	kg~CFC-11 eq.	1.03E-07	49%	8.44E-08	40%	0.00E+00	0%	0.00E+00	0%	2.37E-08	11%
	Water eutrophication	3.69E-05	kg~P043- eq.	3.43E-05	93%	1.98E-06	5%	0.00E+00	0%	0.00E+00	0%	5.58E-07	2%
	Photochemical ozone creation	3.49E-04	kg~C2H4 eq.	2.16E-04	62%	1.04E-04	30%	0.00E+00	0%	0.00E+00	0%	2.91E-05	8%
	Air acidification	1.93E-04	kg~H+ eq.	1.73E-04	90%	1.52E-05	8%	0.00E+00	0%	0.00E+00	0%	4.43E-06	2%
	Total energy depletion	1.83E+01	MJ	1.64E+01	89%	1.51E+00	8%	0.00E+00	0%	0.00E+00	0%	4.24E-01	2%
	Water depletion	7.81E+00	dm3	7.62E+00	98%	1.43E-01	2%	0.00E+00	0%	0.00E+00	0%	4.02E-02	< 1%

Optional indicators	Raw material depletion	2.22E-15	year -1	2.22E-15	100%	2.06E-18	< 1%	0.00E+00	0%	0.00E+00	0%	5.78E-19	< 1%
	Air toxicity	2.59E+05	m3	2.30E+05	89%	2.25E+04	9%	0.00E+00	0%	0.00E+00	0%	6.55E+03	3%
	Water toxicity	2.33E-01	m3	2.12E-01	91%	1.66E-02	7%	0.00E+00	0%	0.00E+00	0%	4.67E-03	2%
	Hazardous waste production	1.20E-03	kg	1.14E-03	95%	4.44E-05	4%	0.00E+00	0%	0.00E+00	0%	1.25E-05	1%

The environmental impacts of the Reference Product are representative of the products covered by the PEP, which therefore constitute a homogeneous environmental family.

The environmental impact of system, described in this document and different of the Reference Product, can be estimated by weighting the environmental impacts of the Reference Product by the corresponding factors.

The values of these impacts are valid for the context specified in this document. They must not be used directly to draw up the environmental balance sheet for the installation.

Single and Dual-Channel Steel Systems	Correction Factor Overall	Total System Mass (kg)
2000	1	14.67
2400/2400D	2.620	38.43

Registration number: LGRP-2013-116-v1-en	Drafting rule: PEP-PCR-ed 2.1-FR-2012 12 11
Authorisation number of checker: VH02	Programme information: www.pep-ecopassport.org
Date of issue: 06-2013	Validity period: 4 years
Independent verification of the declaration and data, in accordance with ISO 14025:2006 Internal <input checked="" type="checkbox"/> External <input type="checkbox"/>	
In accordance with ISO 14025 :2006 Type III environmental declaration	
The critical review of the PCR was conducted by a panel of experts chaired by J.Chevalier (CSTB)	
The elements of the present PEP cannot be compared with elements from another programme	

