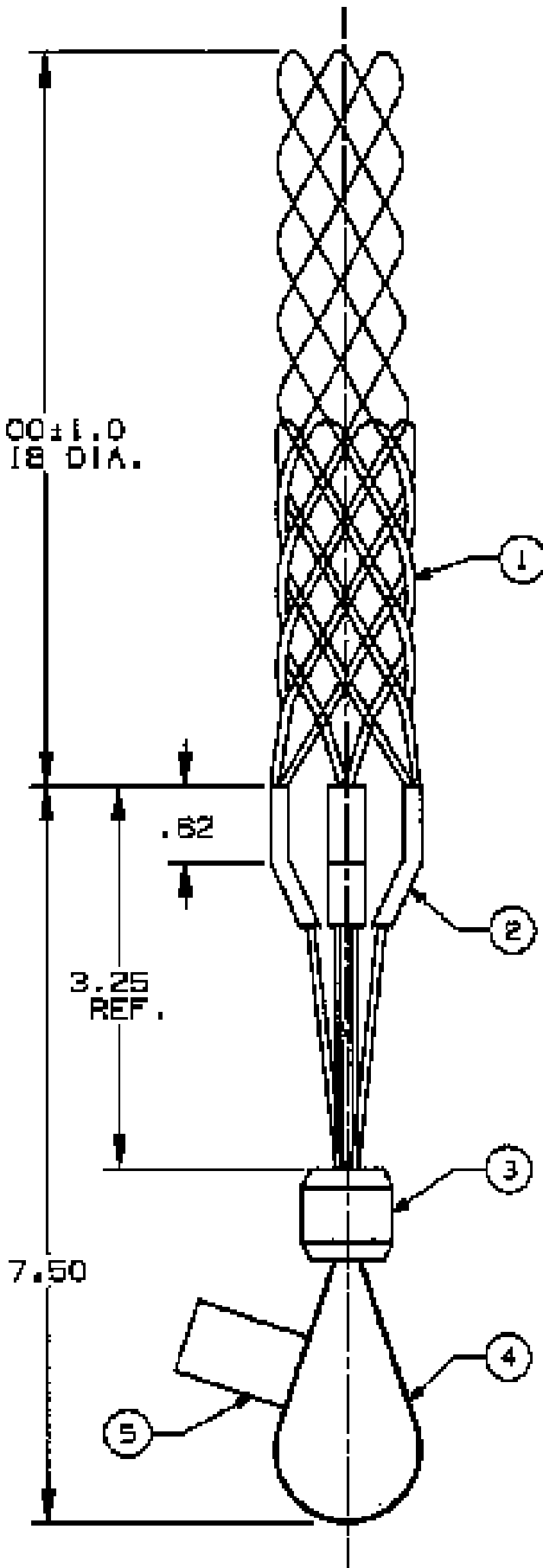


10.00 ± 1.0  
 @ .18 DIA.



**COMPONENT LIST**

ITEM NO.	DESCRIPTION	MAT'L	COMPONENT NO.	QTY.
1	STRAND	WAL.STL.	373-01-001	-
2	SHOULDERS	ALU.	341-43-053	4
3	LUG	ALU.	341-56-010	1
4	EYE	WAL.STL.	303-74-028	1
5	KELLTAG	MYLAR		1

IN ACCEPTING OUR DRAWINGS OR BLUEPRINTS FOR QUOTATION OR OTHER PURPOSES, YOU AGREE NOT TO DISCLOSE TO OTHERS THE IDEAS, INFORMATION, OR DESIGNS THEREIN SHOWN, AND THAT YOU WILL MAKE NO USE OF OUR DRAWINGS OR BLUEPRINTS OR OF THE IDEAS, INFORMATION, OR DESIGNS THEREIN SHOWN WITHOUT OUR PERMISSION.

**TITLE**  
 GRIP, GALV. STL.  
 FIBER OPTIC PULLING  
 CLOSED MESH, MULTI WEAVE,  
 NON-ROTATING FLEXIBLE EYE  
 DIA. RA. .10-.22  
 DESCR: 1/8 FO-FE (SE1863-1)  
 APPROX. BRK. STR. 900 LBS

TOLERANCES UNLESS OTHERWISE SPECIFIED  
 .25" ± .005  
 .002" ± .0005  
 .0005" ± .0002  
 ANGLE TOL. ± 1°

HUBBELL INCORPORATED  
 KELLER DIVISION  
 STONINGTON, CT

DR. BY: KJW      APP. BY: MLF  
 TR. BY:      SCALE: NONE  
 CHK. BY: PFC      DATE: 10/22/52

DR. NO.      REV.  
**033-29-1193**      **C**