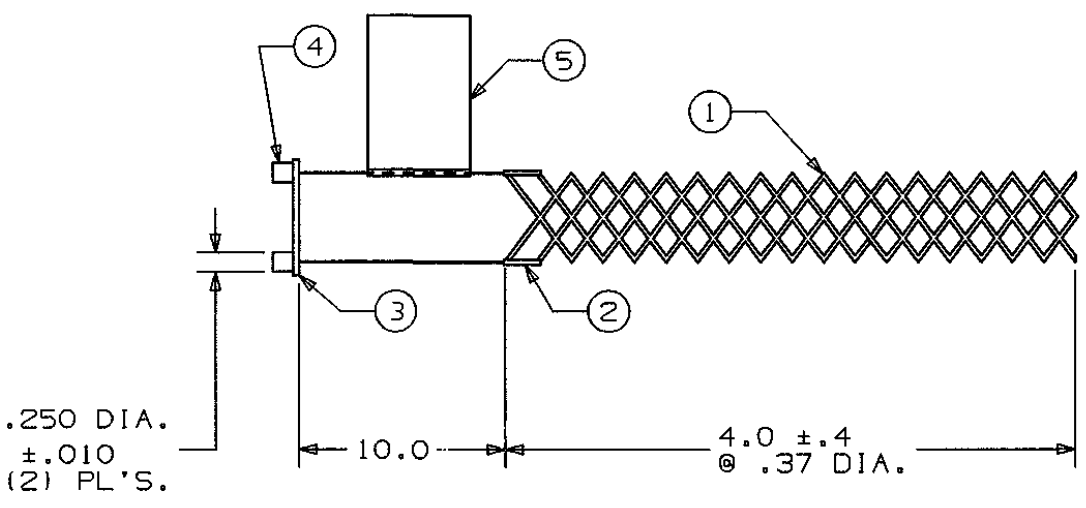


COMPONENT LIST

ITEM NO.	DESCRIPTION	MAT'L	COMPONENT NO.	QTY.
1	STRAND	GALV. STEEL	373-01-002	
2	STRAND EQUAL.	BRZ	362-47-001	2
3	LINK	BRZ	372-55-001	1
4	LUG	BRZ	372-56-002	2
5	TAG	MYLAR		1



IN ACCEPTING OUR DRAWINGS OR BLUEPRINTS FOR QUOTATION OR OTHER PURPOSES, YOU AGREE NOT TO DISCLOSE TO OTHERS THE IDEAS, INFORMATION, OR DESIGNS THEREIN SHOWN, AND THAT YOU WILL MAKE NO USE OF OUR DRAWINGS OR BLUEPRINTS OR OF THE IDEAS, INFORMATION, OR DESIGNS THEREIN SHOWN WITHOUT OUR PERMISSION.

TITLE GRIP-BUS DROP-GALV. STEEL
CLOSED MESH - SINGLE WEAVE
UNIVERSAL BALE DIA. RA. .32-.43
DESCRIPTION: BU-030
APP. BRK. STR. (LBS.) = 450

TOLERANCES UNLESS OTHERWISE SPECIFIED
.X = ±.5
.XX = ±.05
.XXX = ±.015
ANGLE TOL. ± 2°

HUBBELL INCORPORATED
KELLEMS DIVISION
STONINGTON, CT

PROJECT NO.	DR. BY KJW	APP. BY MLF
	TR. BY	SCALE NONE
	CHK. BY	DATE 3/01/93

DR. NO. 073-04-1284	REV. F
----------------------------	---------------