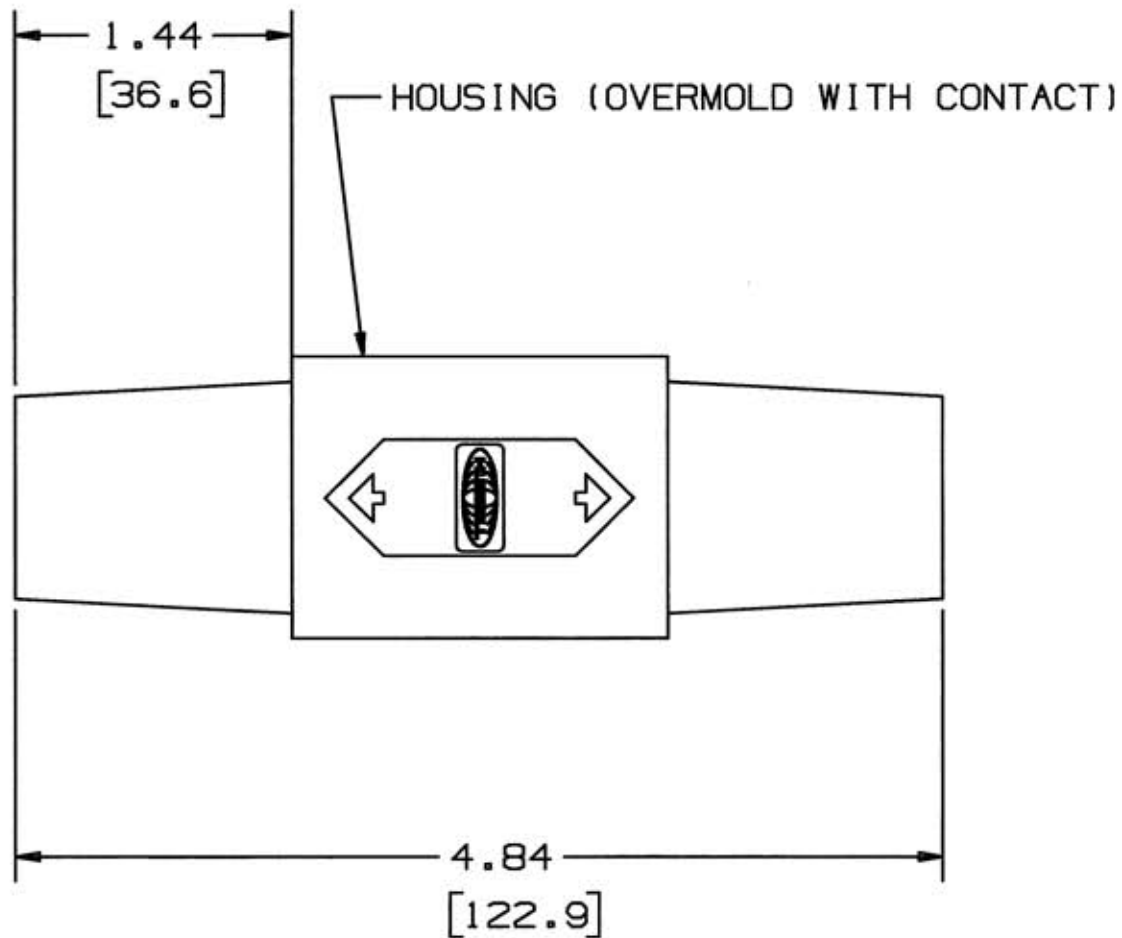
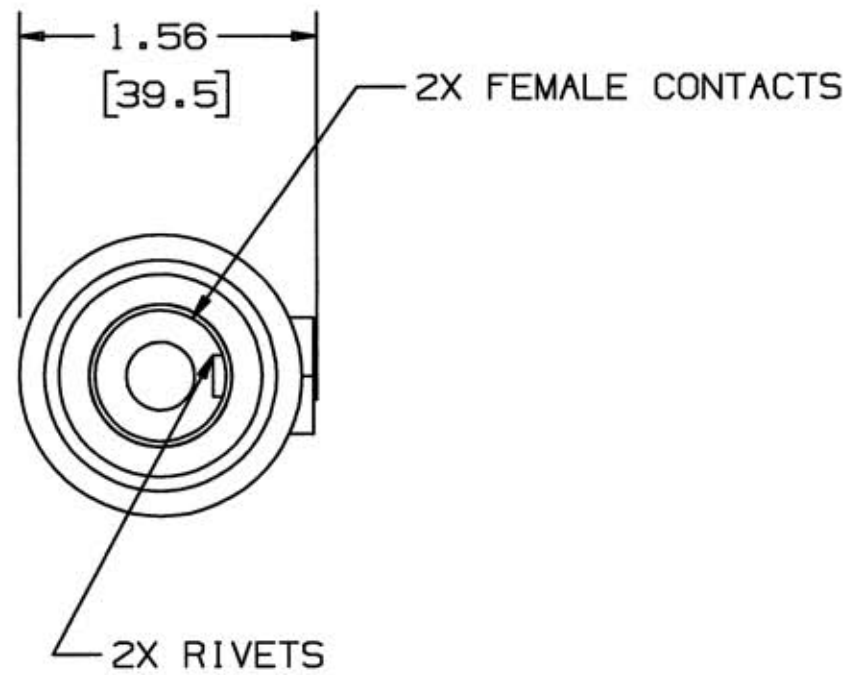


M-8934 2



NOTES:

1. DIMENSIONS ARE INCHES ±.02
[mm] ±.5
2. RATING: 600VAC/250VDC 400 AMP
3. UL/c-UL ENCLOSURE TYPES 3R, 4X, 12,
SEE INSTRUCTION SHEET

HUBBELL CAT. NO.	COLOR
HBLDFBK	BLACK
HBLDFW	WHITE
HBLDFGN	GREEN
HBLDFBR	RED
HBLDFBL	BLUE
HBLDFO	ORANGE
HBLDFBN	BROWN
HBLDFY	YELLOW

LIST OF PARTS

DESCRIPTION	MATERIAL	FINISH
HOUSING	TPE	SEE TABLE
FEMALE CONTACT	BRASS	
RIVET	BRASS	

DIMENSION SHEET FOR CAT. NO. M-8934

REPAIRABLE NON-REPAIRABLE

SYM	REVISIONS	APP	DATE
2	REMOVE $\phi 1.06$ [1.06] & $\phi 1.22$ [1.22] ADD $\pm .02$ & $\pm .5$ TO NOTE 1 CHANGED NOTE 3 PER DCN 11484 TwB	TwB	12/15/04
1	RELEASED PER DCN 10992 MJM TB	MJM	6/25/03

THE DESIGN AND DIMENSIONS OF THE PRODUCT SHOWN ON THIS DRAWING ARE SUBJECT TO CHANGE WITHOUT NOTICE

TITLE SINGLE POLE DOUBLE FEMALE FEMALE/FEMALE

TOLERANCES UNLESS OTHERWISE SPECIFIED		WIRING DEVICE-KELLEMS HUBBELL INCORPORATED BRIDGEPORT, CT	
FRACTIONS	± 1/64	DR. BY TwB	APP. BY
DECIMALS	± .005	TR. BY	SCALE 1:1
ANGLES	± 2°	CHK'D BY	DATE 6/11/03

M-8934

2